

Single-Channel: 6N138, 6N139 Dual-Channel: HCPL2730, HCPL2731 Low Input Current High Gain Split Darlington Optocouplers

Features

- Low current – 0.5mA
- Superior CTR-2000%
- Superior CMR-10kV/μs
- CTR guaranteed 0–70°C
- U.L. recognized (File # E90700)
- VDE recognized (File # 120915) Ordering option V, e.g., 6N138V
- Dual Channel – HCPL2730, HCPL2731

Applications

- Digital logic ground isolation
- Telephone ring detector
- EIA-RS-232C line receiver
- High common mode noise line receiver
- μP bus isolation
- Current loop receiver

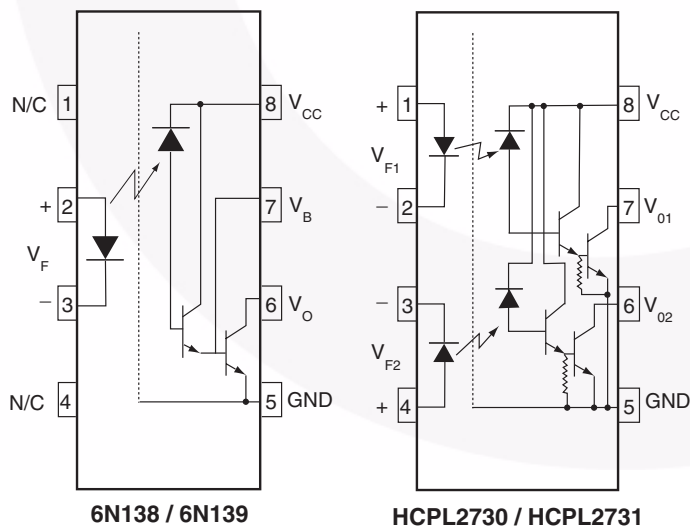
Description

The 6N138/9 and HCPL2730/HCPL2731 optocouplers consist of an AlGaAs LED optically coupled to a high gain split darlington photodetector.

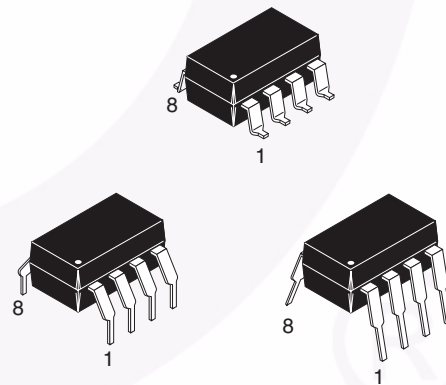
The split darlington configuration separating the input photodiode and the first stage gain from the output transistor permits lower output saturation voltage and higher speed operation than possible with conventional darlington phototransistor optocoupler. In the dual channel devices, HCPL2730/HCPL2731, an integrated emitter-base resistor provides superior stability over temperature.

The combination of a very low input current of 0.5mA and a high current transfer ratio of 2000% makes this family particularly useful for input interface to MOS, CMOS, LSTTL and EIA RS232C, while output compatibility is ensured to CMOS as well as high fan-out TTL requirements. An internal noise shield provides exceptional common mode rejection of 10 kV/μs.

Schematic



Package Outlines



Absolute Maximum Ratings ($T_A = 25^\circ\text{C}$ unless otherwise specified)

Stresses exceeding the absolute maximum ratings may damage the device. The device may not function or be operable above the recommended operating conditions and stressing the parts to these levels is not recommended. In addition, extended exposure to stresses above the recommended operating conditions may affect device reliability. The absolute maximum ratings are stress ratings only.

Symbol	Parameter		Value	Units
T_{STG}	Storage Temperature		-55 to +125	$^\circ\text{C}$
T_{OPR}	Operating Temperature		-40 to +85	$^\circ\text{C}$
T_{SOL}	Lead Solder Temperature (Wave solder only. See recommended reflow profile graph for SMD mounting)		260 for 10 sec	$^\circ\text{C}$
EMITTER				
I_F (avg)	DC/Average Forward Input Current	Each Channel	20	mA
I_F (pk)	Peak Forward Input Current (50% duty cycle, 1 ms P.W.)	Each Channel	40	mA
I_F (trans)	Peak Transient Input Current - ($\leq 1\mu\text{s}$ P.W., 300 pps)		1.0	A
V_R	Reverse Input Voltage	Each Channel	5	V
P_D	Input Power Dissipation	Each Channel	35	mW
DETECTOR				
I_O (avg)	Average Output Current	Each Channel	60	mA
V_{ER}	Emitter-Base Reverse Voltage	6N138 and 6N139	0.5	V
V_{CC}, V_O	Supply Voltage, Output Voltage	6N138, HCPL2730	-0.5 to 7	V
		6N139, HCPL2731	-0.5 to 18	
P_O	Output Power Dissipation	Each Channel	100	mW

Electrical Characteristics ($T_A = 0$ to 70°C unless otherwise specified)**Individual Component Characteristics**

Symbol	Parameter	Test Conditions	Device	Min.	Typ.*	Max.	Unit
EMITTER							
V_F	Input Forward Voltage	$T_A = 25^\circ\text{C}$	All		1.30	1.7	V
		Each channel ($I_F = 1.6\text{mA}$)				1.75	
BV_R	Input Reverse Breakdown Voltage	$T_A = 25^\circ\text{C}$, $I_R = 10\mu\text{A}$	All	5.0	20		V
$\Delta V_F / \Delta T_A$	Temperature Coefficient of Forward Voltage	$I_F = 1.6\text{mA}$	All		-1.8		mV/ $^\circ\text{C}$
DETECTOR							
I_{OH}	Logic HIGH Output Current	$I_F = 0\text{mA}$, $V_O = V_{CC} = 18\text{V}$	6N139		0.01	100	μA
		Each Channel	HCPL2731				
		$I_F = 0\text{mA}$, $V_O = V_{CC} = 7\text{V}$	6N138				
		Each Channel	HCPL2730				
I_{CCL}	Logic LOW supply	$I_F = 1.6\text{mA}$, $V_O = \text{Open}$, $V_{CC} = 18\text{V}$	6N138, 6N139		0.4	1.5	mA
		$I_{F1} = I_{F2} = 1.6\text{mA}$, $V_{CC} = 18\text{V}$	HCPL2731		1.3	3	
		$V_{O1} - V_{O2} = \text{Open}$, $V_{CC} = 7\text{V}$	HCPL2730				
I_{CCH}	Logic HIGH Supply	$I_F = 0\text{mA}$, $V_O = \text{Open}$, $V_{CC} = 18\text{V}$	6N138, 6N139		0.05	10	μA
		$I_{F1} = I_{F2} = 0\text{mA}$, $V_{CC} = 18\text{V}$	HCPL2731		0.10	20	
		$V_{O1} - V_{O2} = \text{Open}$, $V_{CC} = 7\text{V}$	HCPL2730				

Transfer Characteristics

Symbol	Parameter	Test Conditions	Device	Min.	Typ.*	Max.	Unit
COUPLED							
CTR	Current Transfer Ratio ⁽¹⁾⁽²⁾	$I_F = 0.5\text{mA}$, $V_O = 0.4\text{V}$, $V_{CC} = 4.5\text{V}$	6N139	400	1100		%
		Each Channel	HCPL2731				
		$I_F = 1.6\text{mA}$, $V_O = 0.4\text{V}$, $V_{CC} = 4.5\text{V}$	6N139	500	1300		
		Each Channel	HCPL2731				
		$I_F = 1.6\text{mA}$, $V_O = 0.4\text{V}$, $V_{CC} = 4.5\text{V}$	6N138	300	1300		
		Each Channel	HCPL2730				
V_{OL}	Logic LOW Output Voltage ⁽²⁾	$I_F = 0.5\text{mA}$, $I_O = 2\text{mA}$, $V_{CC} = 4.5\text{V}$	6N139		0.08	0.4	V
		$I_F = 1.6\text{mA}$, $I_O = 8\text{mA}$, $V_{CC} = 4.5\text{V}$	6N139		0.01	0.4	
		Each Channel	HCPL2731				
		$I_F = 0.5\text{mA}$, $I_O = 15\text{mA}$, $V_{CC} = 4.5\text{V}$	6N139		0.13	0.4	
		Each Channel	HCPL2731				
		$I_F = 12\text{mA}$, $I_O = 24\text{mA}$, $V_{CC} = 4.5\text{V}$	6N139		0.20	0.4	
		Each Channel	HCPL2731				
		$I_F = 1.6\text{mA}$, $I_O = 4.8\text{mA}$, $V_{CC} = 4.5\text{V}$	6N138		0.10	0.4	
Each Channel	HCPL2730						

*All Typical at $T_A = 25^\circ\text{C}$

Electrical Characteristics (Continued) ($T_A = 0$ to 70°C unless otherwise specified)

Switching Characteristics ($V_{CC} = 5\text{V}$)

Symbol	Parameter	Test Conditions	Device	Min.	Typ.*	Max.	Unit
T_{PHL}	Propagation Delay Time to Logic LOW ⁽²⁾ (Fig. 24)	$R_L = 4.7\Omega, I_F = 0.5\text{mA}$	6N139			30	μs
		$T_A = 25^\circ\text{C}$			4	25	
		$R_L = 4.7\Omega, I_F = 0.5\text{mA}$	HCPL2731			120	
		Each Channel $T_A = 25^\circ\text{C}$			3	100	
		$R_L = 270\Omega, I_F = 12\text{mA}$	6N139			2	
		$T_A = 25^\circ\text{C}$			0.2	1	
		$R_L = 270\Omega, I_F = 12\text{mA}$, Each Channel $T_A = 25^\circ\text{C}$	HCPL2730 HCPL2731		0.3	2	
T_{PLH}	Propagation Delay Time to Logic HIGH ⁽²⁾ (Fig. 24)	$R_L = 4.7\Omega, I_F = 0.5\text{mA}$	6N139			90	μs
		Each Channel	HCPL2731				
		$R_L = 4.7\Omega, I_F = 0.5\text{mA}, T_A = 25^\circ\text{C}$	6N139		12	60	
		Each Channel	HCPL2731		22		
		$R_L = 270\Omega, I_F = 12\text{mA}$	6N139			10	
		$T_A = 25^\circ\text{C}$			1.3	7	
		$R_L = 270\Omega, I_F = 12\text{mA}$, Each Channel $T_A = 25^\circ\text{C}$	HCPL2730 HCPL2731		5	10	
ICM_H	Common Mode Transient Immunity at Logic HIGH ⁽³⁾ (Fig. 25)	$I_F = 0\text{mA}, V_{CM} = 10V_{P-P}, T_A = 25^\circ\text{C}, R_L = 2.2\Omega$	6N138 6N139	1,000	10,000		$\text{V}/\mu\text{s}$
		Each Channel	HCPL2730 HCPL2731				
		$R_L = 2.2\Omega, I_F = 1.6\text{mA}$	6N138			50	
		Each Channel	HCPL2730/1				
ICM_L	Common Mode Transient Immunity at Logic LOW ⁽³⁾ (Fig. 25)	$(I_F = 1.6\text{mA}, V_{CM} = 10V_{P-P}, R_L = 2.2\Omega)$	6N138 6N139	1,000	10,000		$\text{V}/\mu\text{s}$
		$T_A = 25^\circ\text{C}$			7	35	
		Each Channel	HCPL2730 HCPL2731		16		

** All Typical at $T_A = 25^\circ\text{C}$

Electrical Characteristics (Continued) ($T_A = 0$ to 70°C unless otherwise specified)**Isolation Characteristics**

Symbol	Characteristics	Test Conditions	Min.	Typ.*	Max.	Unit
I_{I-O}	Input-Output Insulation Leakage Current ⁽⁴⁾	Relative humidity = 45%, $T_A = 25^\circ\text{C}$, $t = 5\text{s}$, $V_{I-O} = 3000\text{VDC}$			1.0	μA
V_{ISO}	Withstand Insulation Test Voltage ⁽⁴⁾	$\text{RH} \leq 50\%$, $T_A = 25^\circ\text{C}$, $I_{I-O} \leq 2\mu\text{A}$, $t = 1\text{ min.}$	2500			V_{RMS}
R_{I-O}	Resistance (Input to Output) ⁽⁴⁾	$V_{I-O} = 500\text{VDC}$		10^{12}		Ω
C_{I-O}	Capacitance (Input to Output) ⁽⁴⁾⁽⁵⁾	$f = 1\text{MHz}$		0.6		pF
I_{I-I}	Input-Input Insulation Leakage Current ⁽⁶⁾	$\text{RH} \leq 45\%$, $V_{I-I} = 500\text{VDC}$, $t = 5\text{s}$, HCPL2730/2731 only		0.005		μA
R_{I-I}	Input-Input Resistance ⁽⁶⁾	$V_{I-I} = 500\text{VDC}$, HCPL2730/2731 only		10^{11}		Ω
C_{I-I}	Input-Input Capacitance ⁽⁶⁾	$f = 1\text{MHz}$, HCPL2730/2731 only		0.03		pF

*All Typicals at $T_A = 25^\circ\text{C}$ **Notes:**

- Current Transfer Ratio is defined as a ratio of output collector current, I_O , to the forward LED input current, I_F , times 100%.
- Pin 7 open. (6N138 and 6N139 only)
- Common mode transient immunity in logic HIGH level is the maximum tolerable (positive) dV_{cm}/dt on the leading edge of the common mode pulse signal V_{CM} , to assure that the output will remain in a logic HIGH state (i.e., $V_O > 2.0\text{V}$). Common mode transient immunity in logic LOW level is the maximum tolerable (negative) dV_{cm}/dt on the trailing edge of the common mode pulse signal, V_{CM} , to assure that the output will remain in a logic LOW state (i.e., $V_O < 0.8\text{V}$).
- Device is considered a two terminal device: Pins 1, 2, 3 and 4 are shorted together and Pins 5, 6, 7 and 8 are shorted together.
- For dual channel devices, C_{I-O} is measured by shorting pins 1 and 2 or pins 3 and 4 together and pins 5 through 8 shorted together.
- Measured between pins 1 and 2 shorted together, and pins 3 and 4 shorted together.

Electrical Characteristics (Continued) $T_A = 25^\circ\text{C}$ unless otherwise specified)

Current Limiting Resistor Calculations

$$R_1 \text{ (Non-Invert)} = \frac{V_{DD1} - V_{DF} - V_{OL1}}{I_F}$$

$$R_1 \text{ (Invert)} = \frac{V_{DD1} - V_{OH1} - V_{DF}}{I_F}$$

$$R_2 = \frac{V_{DD2} - V_{OLX} (@ I_L - I_2)}{I_L}$$

Where:

V_{DD1} = Input Supply Voltage

V_{DD2} = Output Supply Voltage

V_{DF} = Diode Forward Voltage

V_{OL1} = Logic "0" Voltage of Driver

V_{OH1} = Logic "1" Voltage of Driver

I_F = Diode Forward Current

V_{OLX} = Saturation Voltage of Output Transistor

I_L = Load Current Through Resistor R2

I_2 = Input Current of Output Gate

INPUT		R1 (V)	OUTPUT						
			CMOS @ 5V	CMOS @ 10V	74XX	74LXX	74SXX	74LSXX	74HXX
			R2 (V)	R2 (V)	R2 (V)	R2 (V)	R2 (V)	R2 (V)	R2 (V)
CMOS @ 5V	NON-INV.	2000	1000	2200	750	1000	1000	1000	560
	INV.	510							
CMOS @ 10V	NON-INV.	5100							
	INV.	4700							
74XX	NON-INV.	2200							
	INV.	180							
74LXX	NON-INV.	1800							
	INV.	100							
74SXX	NON-INV.	2000							
	INV.	360							
74LSXX	NON-INV.	2000							
	INV.	180							
74HXX	NON-INV.	2000							
	INV.	180							

Fig. 1 Resistor Values for Logic Interface

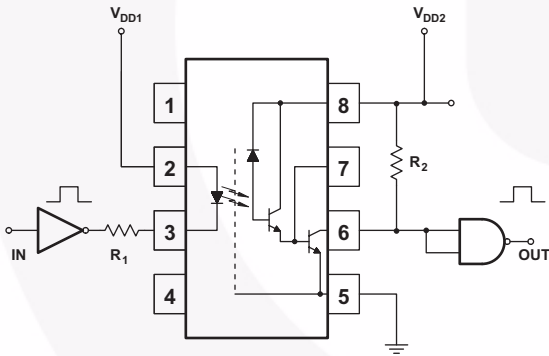


Fig. 2 Non-Inverting Logic Interface

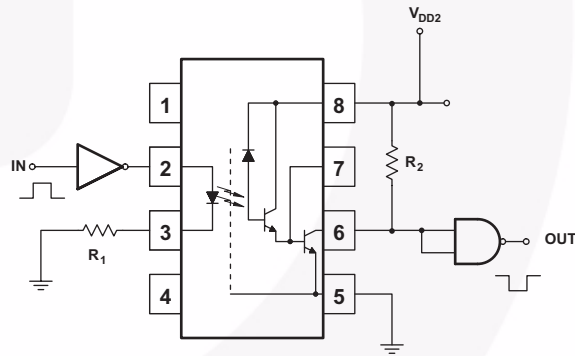


Fig. 3 Inverting Logic Interface

Typical Performance Curves

Fig. 4 LED Forward Current vs. Forward Voltage

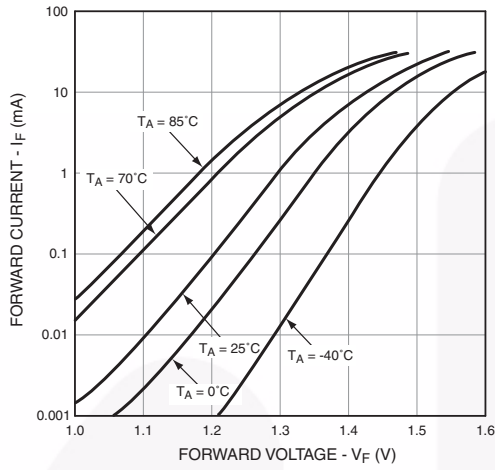


Fig. 5 LED Forward Voltage vs. Temperature

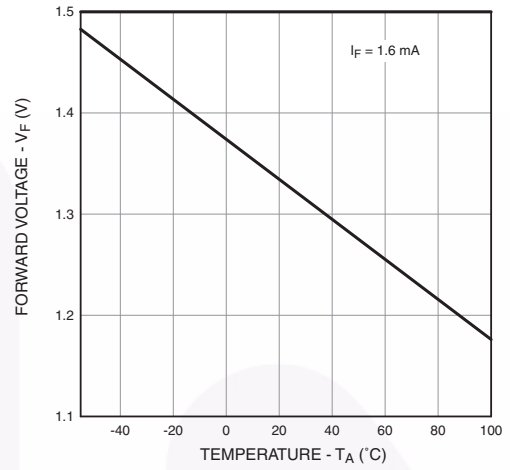


Fig. 6 Non-saturated Rise and Fall Times vs. Load Resistance (6N138 / 6N139 Only)

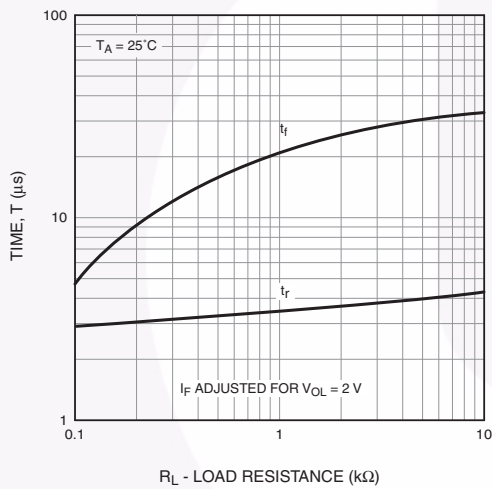


Fig. 7 Non-saturated Rise and Fall Times vs. Load Resistance (HCPL2730 / HCPL2731 Only)

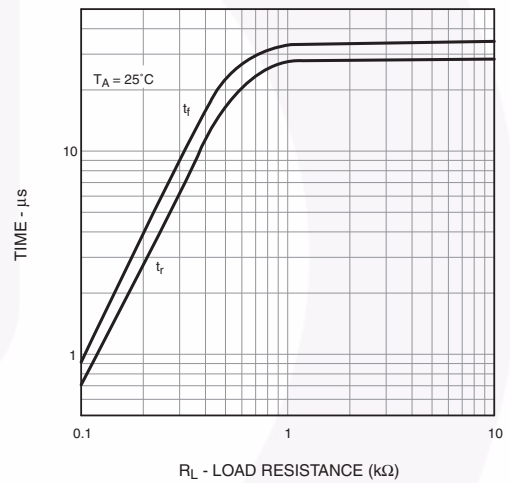


Fig. 8 Propagation Delay To Logic Low vs. Base-Emitter Resistance (HCPL2730 / HCPL2731 Only)

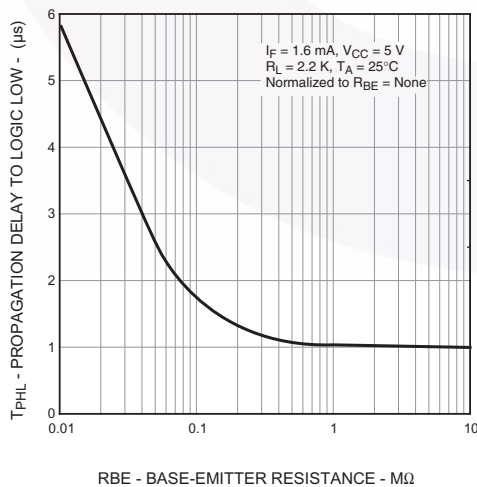
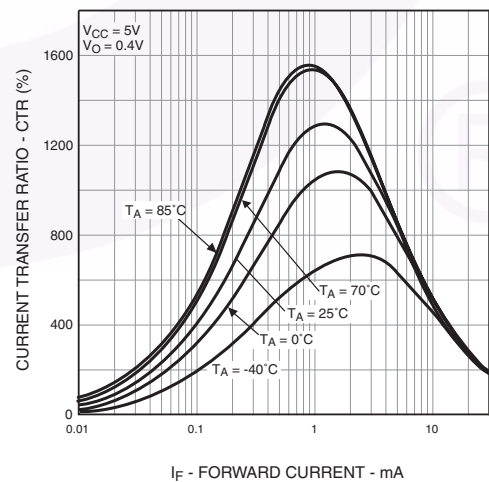


Fig. 9 Current Transfer Ratio vs. Forward Current (6N138 / 6N139 Only)



Typical Performance Curves (Continued)

Fig. 10 Current Transfer Ratio vs. Base-Emitter Resistance (6N138 / 6N139 Only)

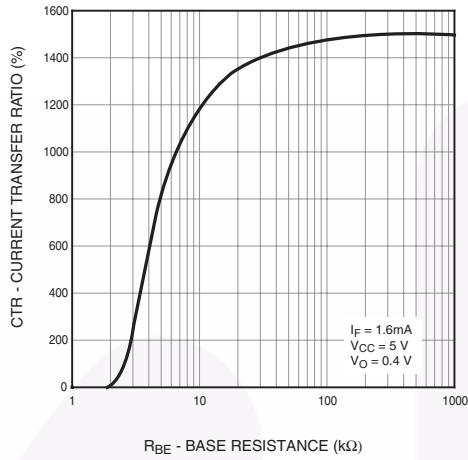


Fig. 11 Current Transfer Ratio vs. Forward Current (HCPL2730 / HCPL2731 Only)

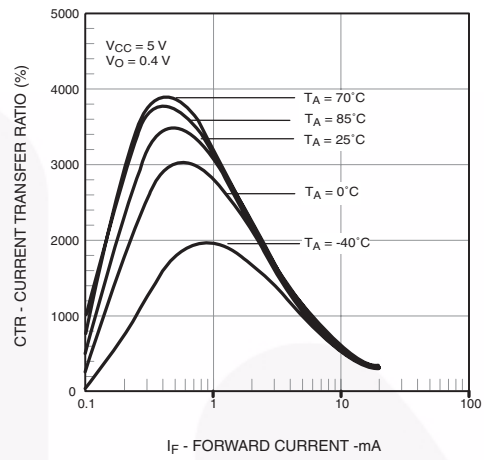


Fig. 12 Output Current vs. Output Voltage (6N138 / 6N139 Only)

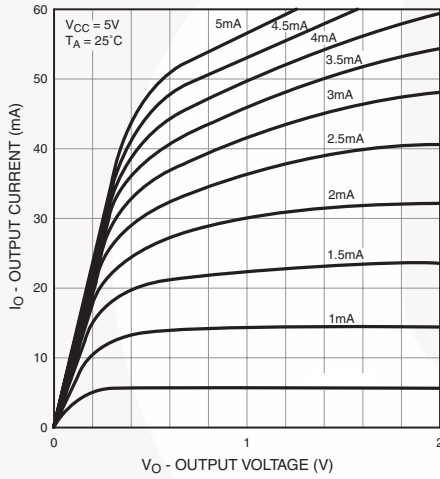


Fig. 13 Output Current vs. Output Voltage (HCPL2730 / HCPL2731 Only)

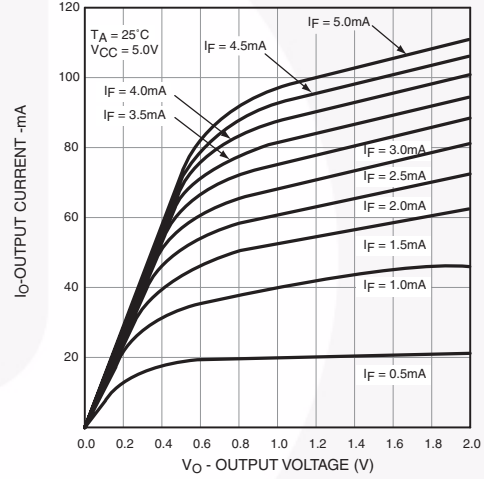


Fig. 14 Output Current vs. Input Diode Forward Current (6N138 / 6N139 Only)

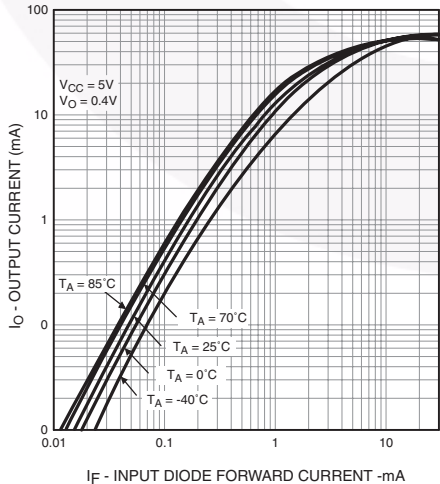
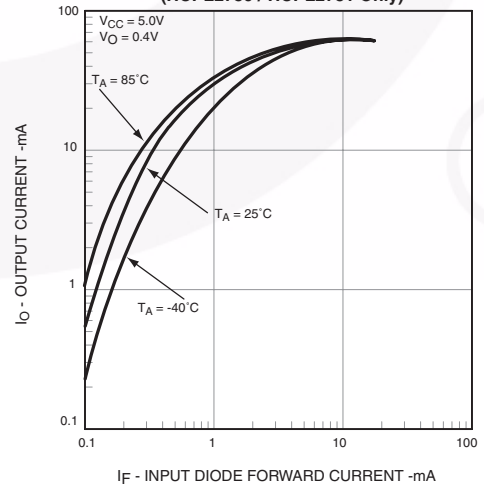


Fig. 15 Output Current vs. Input Diode Forward Current (HCPL2730 / HCPL2731 Only)



Typical Performance Curves (Continued)

Fig. 16 Logic Low Supply Current vs. Input Diode Forward Current (6N138 / 6N139 Only)

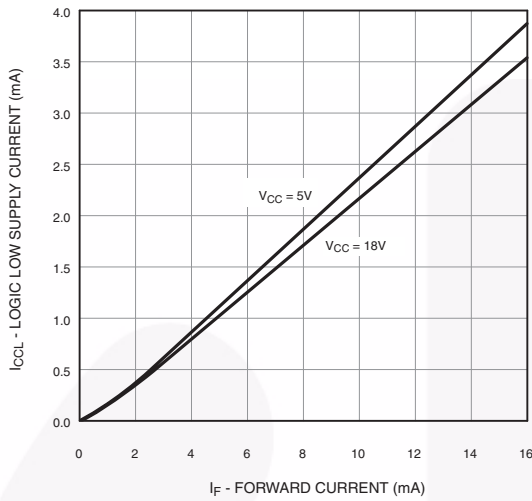


Fig. 17 Logic Low Supply Current vs. Input Diode Forward Current (HCPL2730 / HCPL2731 Only)

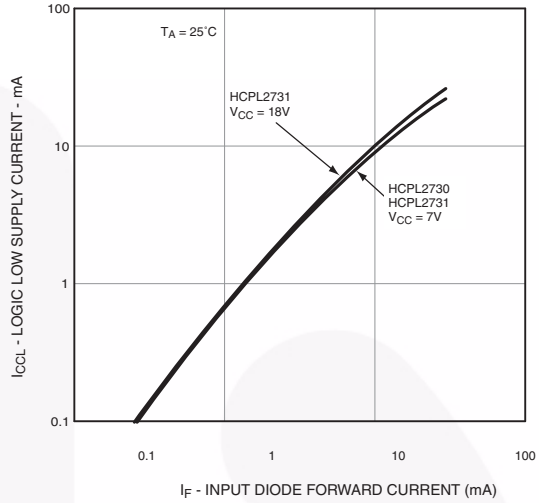


Fig. 18 Propagation Delay vs. Input Diode Forward Current (6N138 / 6N139 Only)

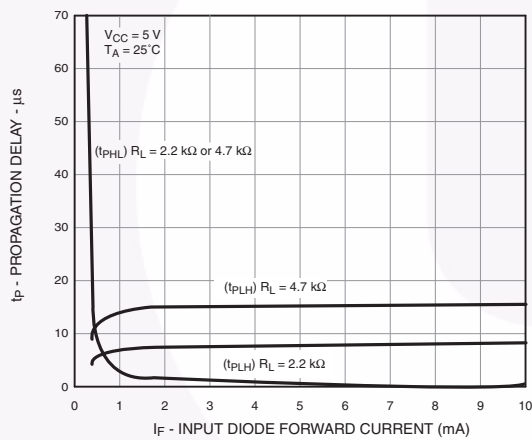


Fig. 19 Propagation Delay vs. Input Diode Forward Current (HCPL2730 / HCPL2731 Only)

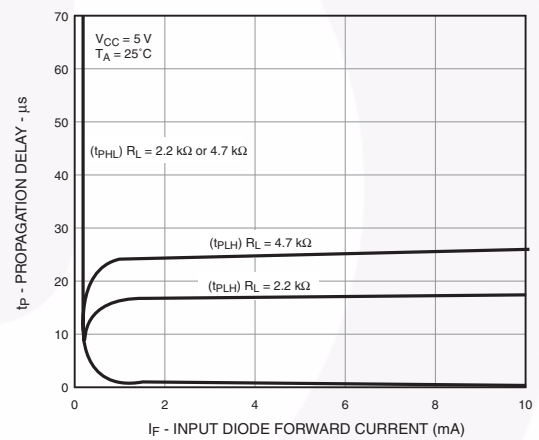


Fig. 20 Propagation Delay to Logic Low vs. Pulse Period (6N138 / 6N139 Only)

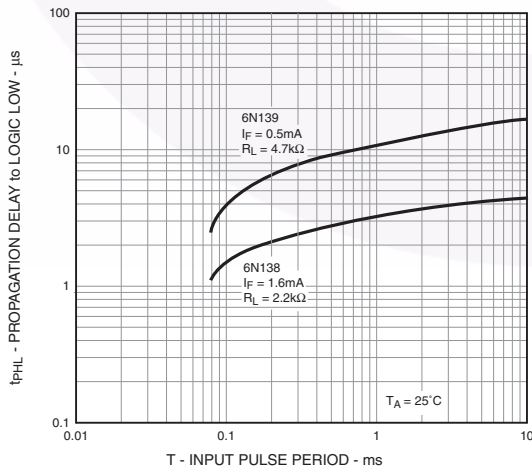
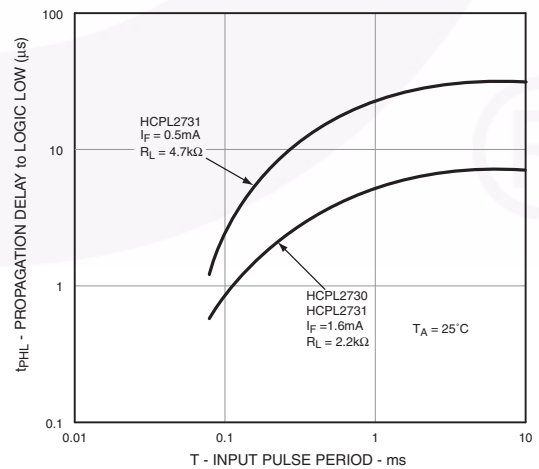


Fig. 21 Propagation Delay to Logic Low vs. Pulse Period (HCPL2730 / HCPL2731 Only)



Typical Performance Curves (Continued)

Fig. 22 Propagation Delay vs. Temperature (6N138 / 6N139 Only)

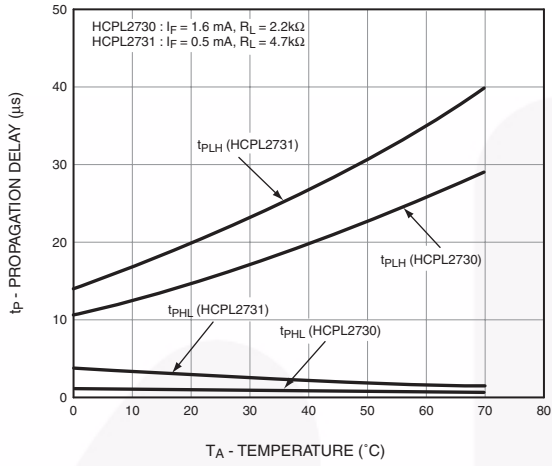
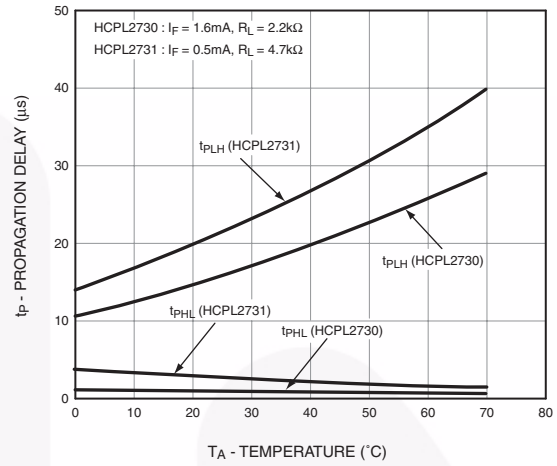


Fig. 23 Propagation Delay vs. Temperature (HCPL2730 / HCPL2731 Only)



Test Circuits

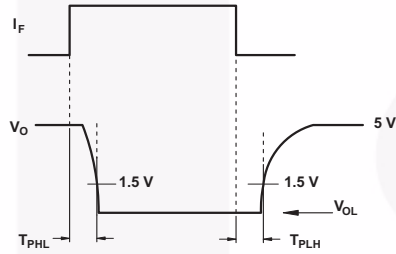
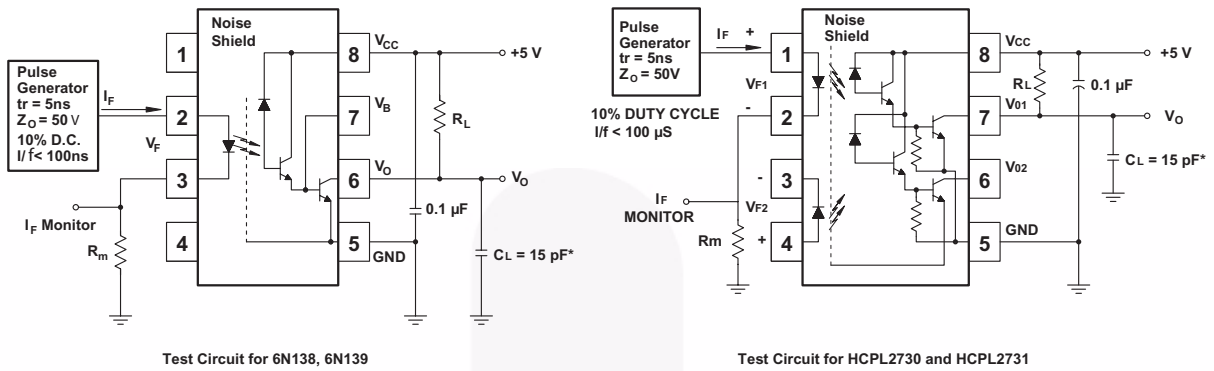


Fig. 24 Switching Time Test Circuit

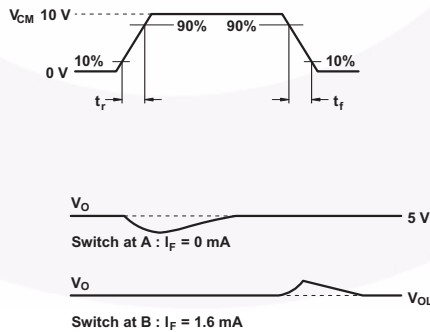
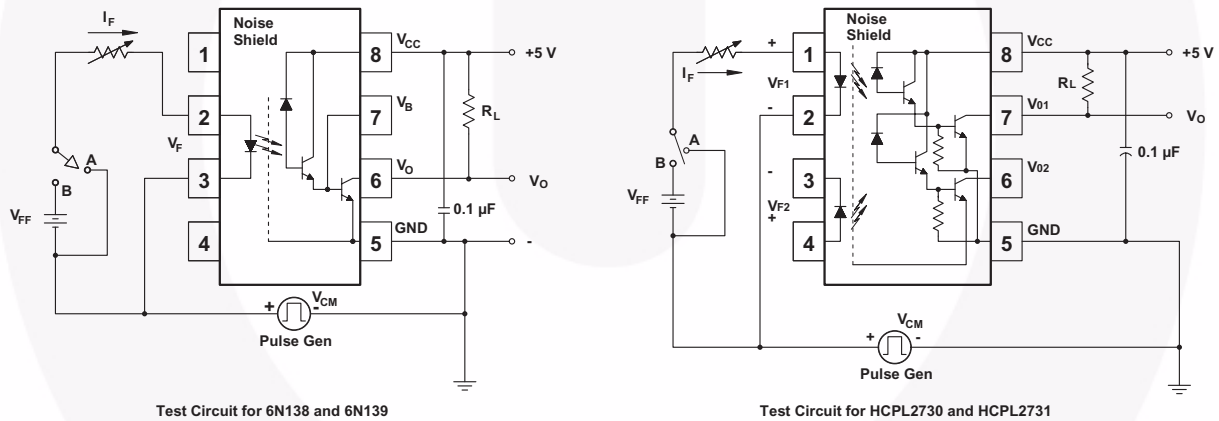
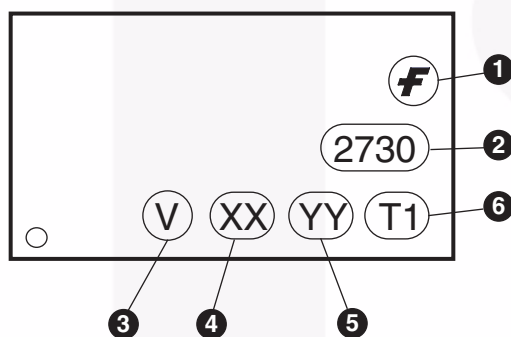


Fig. 25 Common Mode Immunity Test Circuit

Ordering Information

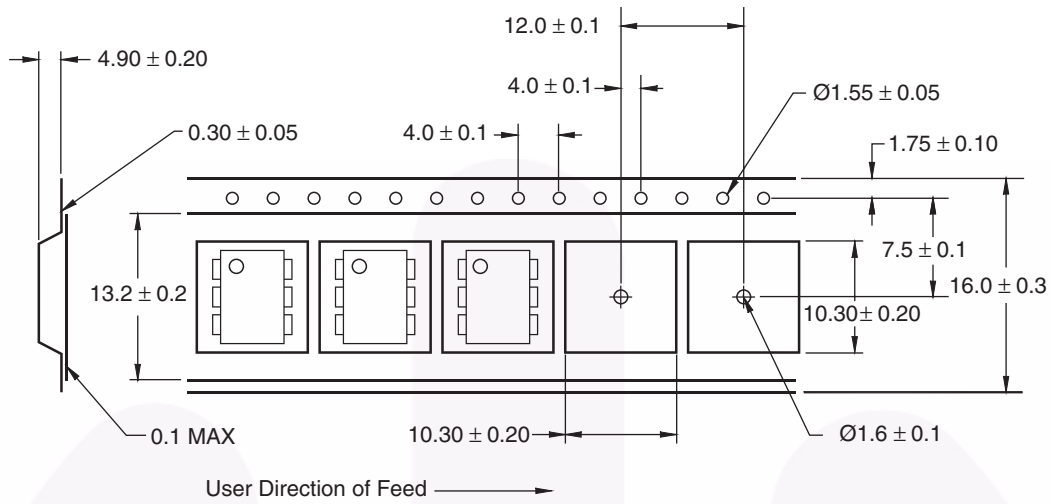
Option	Example Part Number	Description
No Suffix	6N138	Standard Through Hole Device, 50 pcs per tube
S	6N138S	Surface Mount Lead Bend
SD	6N138SD	Surface Mount; Tape and reel
W	6N138W	0.4" Lead Spacing
V	6N138V	VDE0884
WV	6N138WV	VDE0884; 0.4" lead spacing
SV	6N138SV	VDE0884; surface mount
SDV	6N138SDV	VDE0884; surface mount; tape and reel

Marking Information

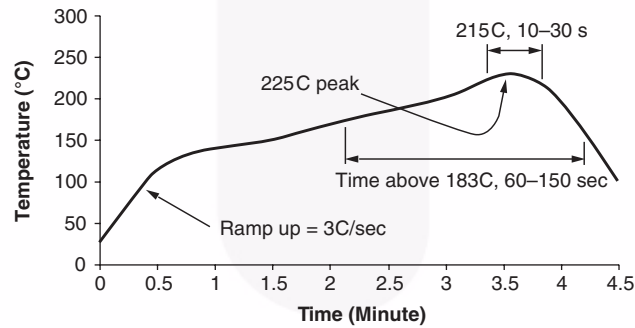


Definitions	
1	Fairchild logo
2	Device number
3	VDE mark (Note: Only appears on parts ordered with VDE option – See order entry table)
4	Two digit year code, e.g., '07'
5	Two digit work week ranging from '01' to '53'
6	Assembly package code

Tape Specifications



Reflow Profile



- Peak reflow temperature: 225C (package surface temperature)
- Time of temperature higher than 183C for 60–150 seconds
- One time soldering reflow is recommended

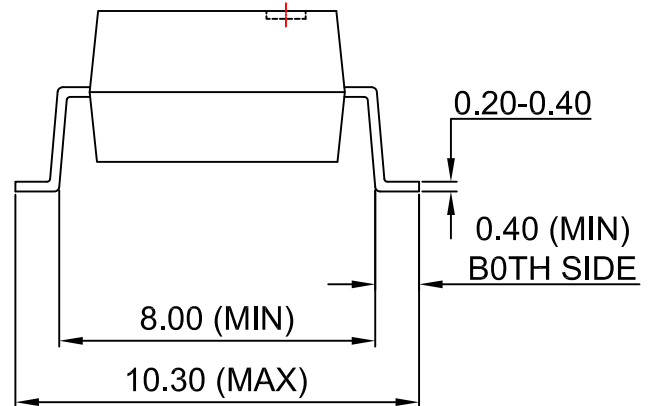


- NOTES:
 A) NO STANDARD APPLIES TO THIS PACKAGE
 B) ALL DIMENSIONS ARE IN MILLIMETERS.
 C) DIMENSIONS ARE EXCLUSIVE OF BURRS, MOLD FLASH, AND TIE BAR EXTRUSION
 D) DRAWING FILENAME AND REVISION: MKT-N08GREV7





LAND PATTERN RECOMMENDATION



NOTES:





- A) NO STANDARD APPLIES TO THIS PACKAGE
- B) ALL DIMENSIONS ARE IN MILLIMETERS.
- C) DIMENSIONS ARE EXCLUSIVE OF BURRS, MOLD FLASH, AND TIE BAR EXTRUSION
- D) DRAWING FILENAME AND REVISION: MKT-N08Hrev7.





TRADEMARKS

The following includes registered and unregistered trademarks and service marks, owned by Fairchild Semiconductor and/or its global subsidiaries, and is not intended to be an exhaustive list of all such trademarks.

- AccuPower™
- AttitudeEngine™
- Awinda®
- AX-CAP®*
- BitSiC™
- Build it Now™
- CorePLUS™
- CorePOWER™
- CROSSVOL™
- CTL™
- Current Transfer Logic™
- DEUXPEED®
- Dual Cool™
- EcoSPARK®
- EfficientMax™
- ESBC™
- F**™
- Fairchild®
- Fairchild Semiconductor®
- FACT Quiet Series™
- FACT®
- FastvCore™
- FETBench™
- FPS™
- F-PFS™
- FRFET®
- Global Power ResourceSM
- GreenBridge™
- Green FPS™
- Green FPS™ e-Series™
- Gmax™
- GTO™
- IntelliMAX™
- ISOPLANAR™
- Making Small Speakers Sound Louder and Better™
- MegaBuck™
- MICROCOUPLER™
- MicroFET™
- MicroPak™
- MicroPak2™
- MillerDrive™
- MotionMax™
- MotionGrid®
- MTi®
- MTx®
- MVN®
- mWSaver®
- OptoHiT™
- OPTOLOGIC®
- OPTOPLANAR®
- ®
- Power Supply WebDesigner™
- PowerTrench®
- PowerXS™
- Programmable Active Droop™
- QFET®
- QS™
- Quiet Series™
- RapidConfigure™
- ™
- Saving our world, 1mW/W/kW at a time™
- SignalWise™
- SmartMax™
- SMART START™
- Solutions for Your Success™
- SPM®
- STEALTH™
- SuperFET®
- SuperSOT™-3
- SuperSOT™-6
- SuperSOT™-8
- SupreMOS®
- SyncFET™
- Sync-Lock™
- ®
- TinyBoost®
- TinyBuck®
- TinyCalc™
- TinyLogic®
- TINYOPTO™
- TinyPower™
- TinyPWM™
- TinyWire™
- TranSiC™
- TriFault Detect™
- TRUECURRENT®*
- μSerDes™
- ™
- UHC®
- Ultra FRFET™
- UniFET™
- VcX™
- VisualMax™
- VoltagePlus™
- XS™
- Xsens™
- 仙童®

* Trademarks of System General Corporation, used under license by Fairchild Semiconductor.

DISCLAIMER

FAIRCHILD SEMICONDUCTOR RESERVES THE RIGHT TO MAKE CHANGES WITHOUT FURTHER NOTICE TO ANY PRODUCTS HEREIN TO IMPROVE RELIABILITY, FUNCTION, OR DESIGN. TO OBTAIN THE LATEST, MOST UP-TO-DATE DATASHEET AND PRODUCT INFORMATION, VISIT OUR WEBSITE AT [HTTP://WWW.FAIRCHILDSEMI.COM](http://www.fairchildsemi.com). FAIRCHILD DOES NOT ASSUME ANY LIABILITY ARISING OUT OF THE APPLICATION OR USE OF ANY PRODUCT OR CIRCUIT DESCRIBED HEREIN; NEITHER DOES IT CONVEY ANY LICENSE UNDER ITS PATENT RIGHTS, NOR THE RIGHTS OF OTHERS. THESE SPECIFICATIONS DO NOT EXPAND THE TERMS OF FAIRCHILD'S WORLDWIDE TERMS AND CONDITIONS, SPECIFICALLY THE WARRANTY THEREIN, WHICH COVERS THESE PRODUCTS.

AUTHORIZED USE

Unless otherwise specified in this data sheet, this product is a standard commercial product and is not intended for use in applications that require extraordinary levels of quality and reliability. This product may not be used in the following applications, unless specifically approved in writing by a Fairchild officer: (1) automotive or other transportation, (2) military/aerospace, (3) any safety critical application – including life critical medical equipment – where the failure of the Fairchild product reasonably would be expected to result in personal injury, death or property damage. Customer's use of this product is subject to agreement of this Authorized Use policy. In the event of an unauthorized use of Fairchild's product, Fairchild accepts no liability in the event of product failure. In other respects, this product shall be subject to Fairchild's Worldwide Terms and Conditions of Sale, unless a separate agreement has been signed by both Parties.

ANTI-COUNTERFEITING POLICY

Fairchild Semiconductor Corporation's Anti-Counterfeiting Policy. Fairchild's Anti-Counterfeiting Policy is also stated on our external website, www.fairchildsemi.com, under Terms of Use

Counterfeiting of semiconductor parts is a growing problem in the industry. All manufacturers of semiconductor products are experiencing counterfeiting of their parts. Customers who inadvertently purchase counterfeit parts experience many problems such as loss of brand reputation, substandard performance, failed applications, and increased cost of production and manufacturing delays. Fairchild is taking strong measures to protect ourselves and our customers from the proliferation of counterfeit parts. Fairchild strongly encourages customers to purchase Fairchild parts either directly from Fairchild or from Authorized Fairchild Distributors who are listed by country on our web page cited above. Products customers buy either from Fairchild directly or from Authorized Fairchild Distributors are genuine parts, have full traceability, meet Fairchild's quality standards for handling and storage and provide access to Fairchild's full range of up-to-date technical and product information. Fairchild and our Authorized Distributors will stand behind all warranties and will appropriately address any warranty issues that may arise. Fairchild will not provide any warranty coverage or other assistance for parts bought from Unauthorized Sources. Fairchild is committed to combat this global problem and encourage our customers to do their part in stopping this practice by buying direct or from authorized distributors.

PRODUCT STATUS DEFINITIONS

Definition of Terms

Datasheet Identification	Product Status	Definition
Advance Information	Formative / In Design	Datasheet contains the design specifications for product development. Specifications may change in any manner without notice.
Preliminary	First Production	Datasheet contains preliminary data; supplementary data will be published at a later date. Fairchild Semiconductor reserves the right to make changes at any time without notice to improve design.
No Identification Needed	Full Production	Datasheet contains final specifications. Fairchild Semiconductor reserves the right to make changes at any time without notice to improve the design.
Obsolete	Not In Production	Datasheet contains specifications on a product that is discontinued by Fairchild Semiconductor. The datasheet is for reference information only.

Rev. I77