

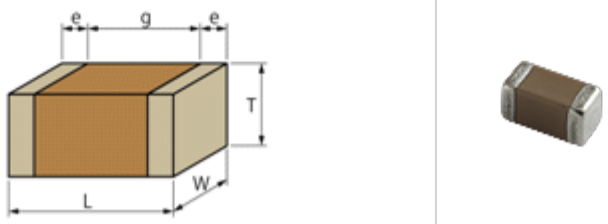
# GRM0225C1C6R7WD05#

" # " indicates a package specification code.

Recommended   

< List of part numbers with package codes >  
GRM0225C1C6R7WD05L , GRM0225C1C6R7WD05B

## Shape

	
L size	0.4 ± 0.02mm
W size	0.2 ± 0.02mm
T size	0.2 ± 0.02mm
External terminal width e	0.07 to 0.14mm
Distance between external terminals g (Min.)	0.13mm
Size code in mm(inch)	0402 (01005)

## References

Packaging	Specifications	Minimum quantity
L	Embossed tape ( 180mm)	40000
B	Packing in bulk	1000

Mass (typ.)	
1 piece	0.09mg
Reel ( 180mm)	134g

## Specifications

Capacitance	6.7pF ± 0.05pF
Rated voltage	16Vdc
Temperature characteristics (complied standard)	COG(EIA)
Temperature coefficient	0 ± 30ppm/
Temperature range of temperature characteristics	25 to 125
Operating temperature range	-55 to 125

### Attention

- 1.This datasheet is downloaded from the website of Murata Manufacturing Co., Ltd. Therefore, it ' s specifications are subject to change or our products in it may be discontinued without advance notice. Please check with our sales representatives or product engineers before ordering.
- 2.This datasheet has only typical specifications because there is no space for detailed specifications. Therefore, please review our product specifications or consult the approval sheet for product specifications before ordering.