

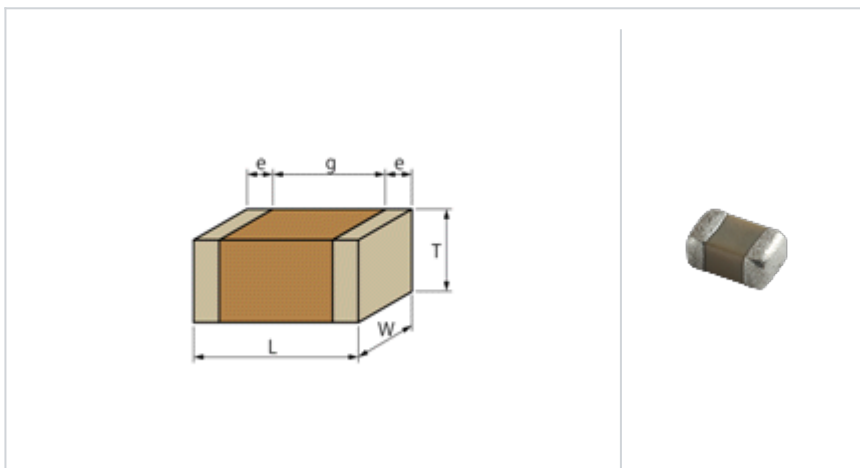
GCJ31CR71C106KA15#

" # " indicates a package specification code.

- Recommended
- Reflow OK
- Complies with RoHS
- AEC-Q200
- Fail safe
- Deflecting crack

< List of part numbers with package codes >
 GCJ31CR71C106KA15L , GCJ31CR71C106KA15K , GCJ31CR71C106KA15B

Shape



L size	3.2 ± 0.3mm
W size	1.6 ± 0.3mm
T size	1.6 ± 0.3mm
External terminal width e	0.3 to 1.0mm
Distance between external terminals g (Min.)	1.5mm
Size code in mm(inch)	3216 (1206)

Notes

Resin external electrode products

References

Packaging	Specifications	Minimum quantity
L	Embossed tape (180mm)	2000
K	Embossed tape (330mm)	6000
B	Packing in bulk	1000

Specifications

Capacitance	10µF ± 10%
Rated voltage	16Vdc
Temperature characteristics (complied standard)	X7R(EIA)
Capacitance change rate	± 15.0%
Temperature range of temperature characteristics	-55 to 125
Operating temperature range	-55 to 125

⚠ Attention

- This datasheet is downloaded from the website of Murata Manufacturing Co., Ltd. Therefore, it ' s specifications are subject to change or our products in it may be discontinued without advance notice. Please check with our sales representatives or product engineers before ordering.
- This datasheet has only typical specifications because there is no space for detailed specifications. Therefore, please review our product specifications or consult the approval sheet for product specifications before ordering.