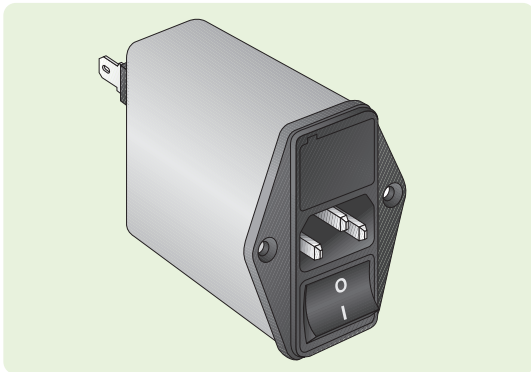


SCHAFFNER type FN390 (switched & fused, with voltage selector)

A series of IEC mains filters with a built-in single 20mm fuseholder, a DPST non-illuminated rocker switch and a voltage selector. For suitable fuses, refer to the Fuse section in this guide. Provides the option of a general purpose (FN393) or high performance (FN1393) filter unit. IEC950 compliant. All types are fitted with a bleed resistor to discharge residual energy when pins are exposed. Available in screw fixing form only with rear terminations by 6.35mm (0.25in) fast-on tabs. Offers a choice of current rating from 1A to 10A.



- ◆ IEC power inlet with built-in single 20mm fuseholder, DPST switch and voltage selector
- ◆ Integral mains filter unit with option of general purpose or high performance
- ◆ IEC950 compliant
- ◆ Choice of current rating
- ◆ Panel mounting, rear fast-on tabs
- ◆ Screw fixing

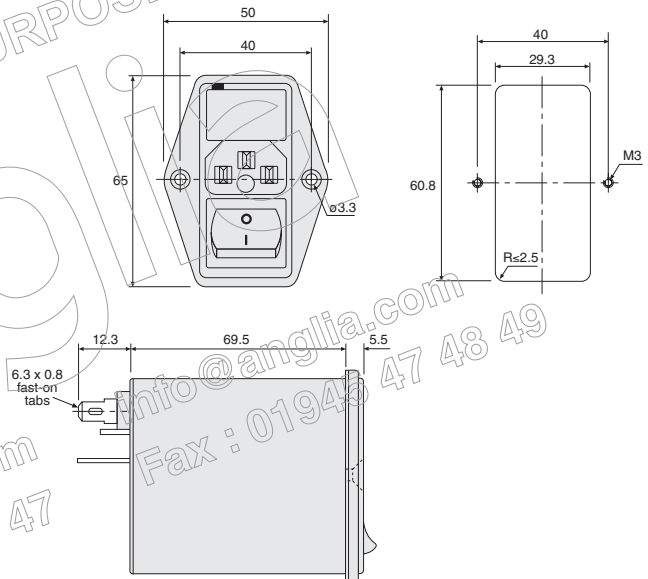


Specification

	FN393	FN1393
Voltage rating		250Vac
Line frequency		50/60Hz
Max. leakage/phase	0.29mA	0.41mA
Hipot test (1 min.)		
LN to E		2000Vac
L to N		1700Vdc
Capacitance		
Cx		0.22µF(X)
Cx1		0.1µF(X)
Cy	3300pF(Y) x 2	4700pF(Y) x 2
Inductance		
L		as listed
Resistance		
R	1MΩ	470kΩ
Weight	200g	210g
Operating temperature range		-25°C to +85°C

Dimensions (mm)

FN393/FN1393 (screw fixing only)



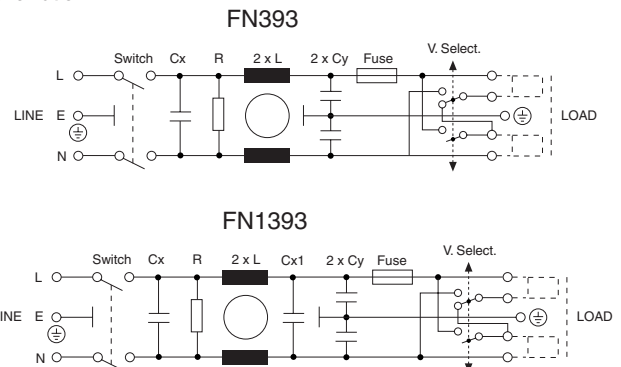
Current Rating (Aac) at 40°C	Inductance (mH) L	Manf. Part No. & Anglia Order Code
FN393 - general purpose		
1	7.5	FN393-1/05-11
2.5	2	FN393-2.5/05-11
6	0.45	FN393-6/05-11
FN1393 - high performance		
1	16	FN1393-1/05-11
2.5	8	FN1393-2.5/05-11
6	2.5	FN1393-6/05-11
10	0.6	FN1393-10/05-11

SCHÄFFNER FACTORY OPTIONS

- Twin fuse arrangement
- Fitted earth line choke
- Without Y capacitors, for medical applications
- Rear insulating boots

Please contact our Sales Desk for details.

Schematic



A RANGE OF IEC LEADS AND PUSH-ON CRIMP TERMINALS ARE SHOWN IN THE CONNECTORS SECTION