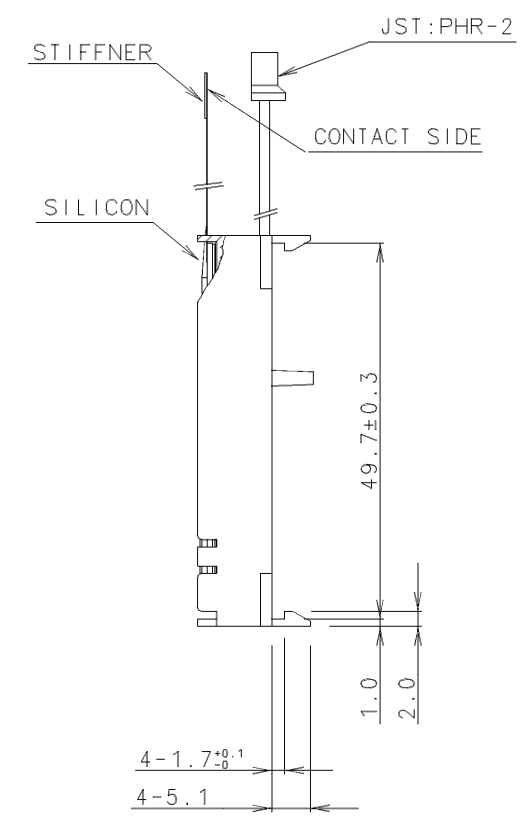
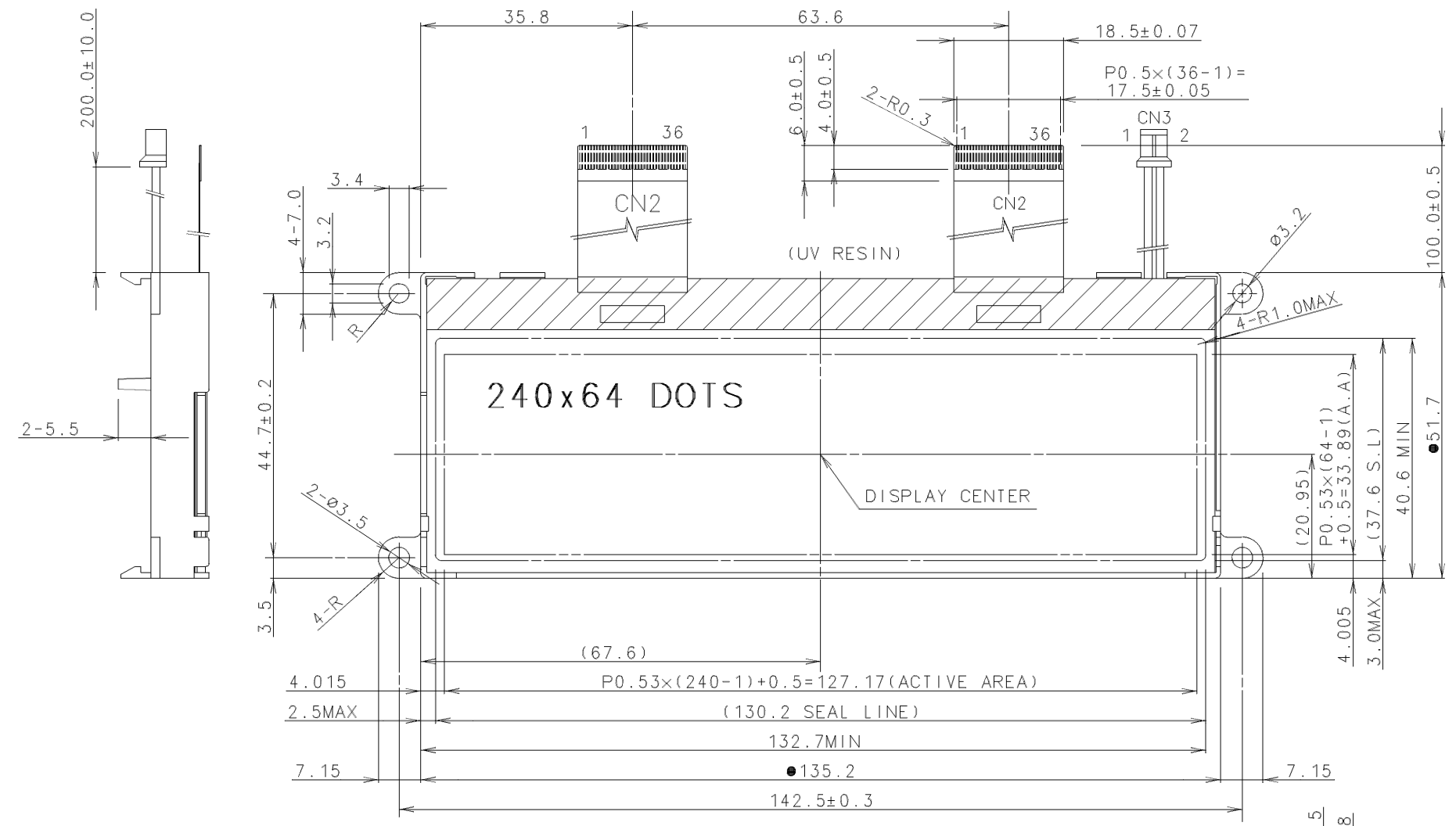


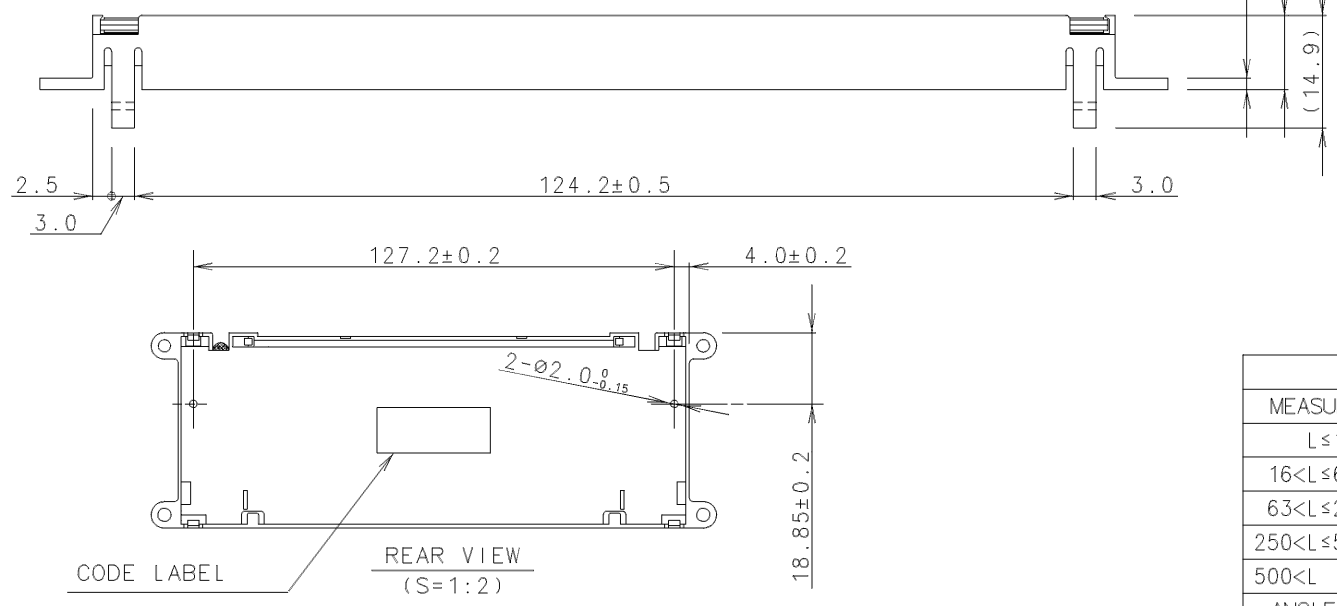
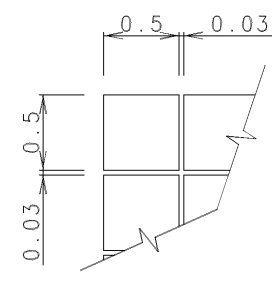
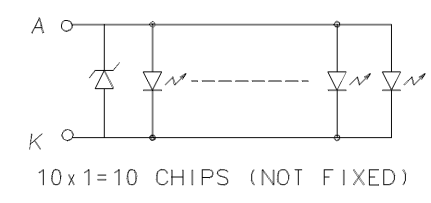
ISSUE	REVISIONS	DRAWN	APPROVED	DATE



PIN ASSIGNMENT

CN1-MASTER (IC1) CN2-SLAVE (IC2)			
No.	SYMBOL	No.	SYMBOL
1	NC	19	VDD
2	FR	20	VSS
3	CL	21	VOUT
4	DOF	22	C3-
5	CS1	23	C1+
6	CS2	24	C1-
7	RES	25	C2-
8	A0	26	C2+
9	WR	27	V1
10	RD	28	V2
11	D0	29	V3
12	D1	30	V4
13	D2	31	V5
14	D3	32	VR
15	D4	33	C86
16	D5	34	P/S
17	D6	35	NC
18	D7	36	NC

1. THE DIMENSIONS WITH THE MARK (●) ARE CONTROLLED AS A PARTICULAR CHARACTERISTIC.
2. HATCHED AREA ON LCD TERMINAL EDGE SHOWS MAXIMUM AREA OF SILICON RESIN.
3. DO NOT USE MATERIALS WHICH ARE PROHIBITED BY RoHS.



MEASURE	TOLERANCE			THIRD ANGLE PROJECTION	DATE MAR. 11'04
	A	B	C		
L≤16	±0.1	±0.3	±1	UNIT	APPROVED
16<L≤63	±0.2	±0.5	±1.5	mm	CHECKED
63<L≤250	±0.3	±0.8	±2	SCALE	
250<L≤500	±0.5	±1.2	±3	1:1	DRAWN Hawk
500<L	±0.8	±2	±4		
ANGLE	±1°	±5°	±10°		

OPTREX CORPORATION

TITLE  
DIMENSIONAL OUTLINE

CODE  
F-51851GNFQJ-LG

DWG NO  
UE-312359-00