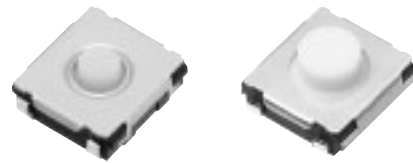


### 6 mm Square Thin Type SMD Light Touch Switches

Type: **EVQP0**  
**EVQQ2**



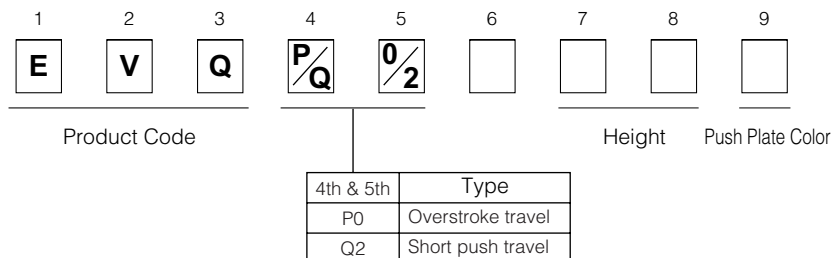
#### ■ Features

- External dimensions : 6.5 mm×6.0 mm, Height 1.8 mm (Excluding the push plate)
- With or without ground terminal, height, operating force
- Overstroke travel

#### ■ Recommended Applications

- Operating switches for other electronic equipment
- Operation switches for PC mouse
- Car audio systems

#### ■ Explanation of Part Numbers



#### ■ Specifications

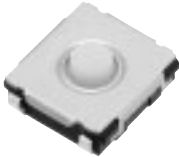
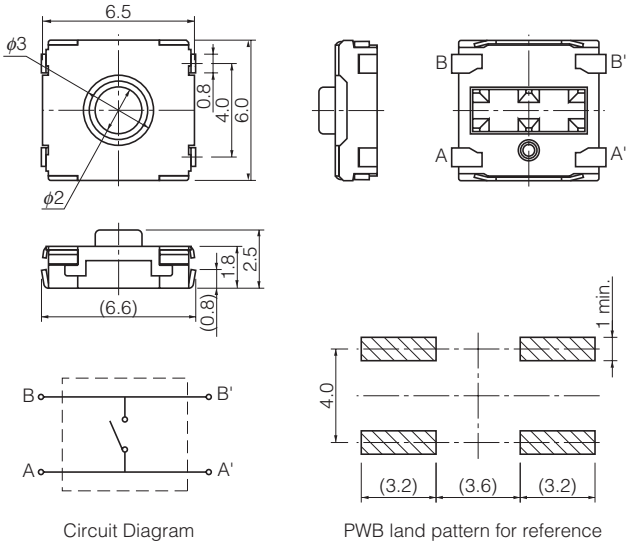
Travel Type		Short Push Travel	Overstroke Travel
Type		Snap action/Push-on type SPST	
Electrical	Rating	10 $\mu$ A 2 Vdc to 20 mA 15 Vdc (Resistive load)	
	Contact Resistance	100 m $\Omega$ max.	
	Insulation Resistance	100 M $\Omega$ min. (at 100 Vdc)	
	Dielectric Withstanding Voltage	250 Vac for 1 minute	
	Bouncing	10 ms max. (ON, OFF)	
Mechanical	Operating Force	0.5 N, 1.0 N, 1.3 N, 1.6 N, 2.6 N, 3.5 N	0.6 N, 1.0 N
	Travel	0.25 mm (0.2 mm : 0.5N, 1.0N)	0.3 mm
Endurance	Operating Life	0.5 N : 2000000 cycles min. 1.0 N, 1.3 N, 1.6 N : 1000000 cycles min. 2.6 N : 200000 cycles min. 3.5 N : 100000 cycles min.	0.6 N : 2000000 cycles min. 1.0 N : 1000000 cycles min.
Operating Temperature		-40 °C to +85 °C	
Storage Temperature		-40 °C to +85 °C (Bulk) -20 °C to +60 °C (Taping)	
Minimum Quantity/Packing Unit		H=2.0 mm	4000 pcs. Embossed Taping (Reel Pack)
		H=2.5 mm, 3.1 mm	2000 pcs. Embossed Taping (Reel Pack)
Quantity/Carton		H=2.0 mm	20000 pcs.
		H=2.5 mm, 3.1 mm	10000 pcs.

Note: Non washable

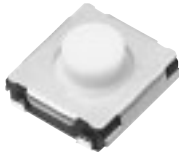
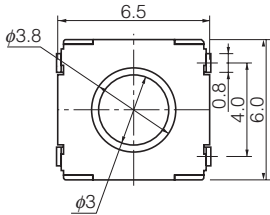
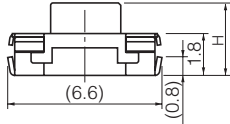
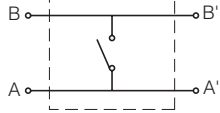
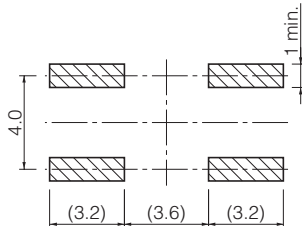
Design and specifications are each subject to change without notice. Ask factory for the current technical specifications before purchase and/or use. Should a safety concern arise regarding this product, please be sure to contact us immediately.

00 Oct. 2012

■ Dimensions in mm (not to scale)

<p>No. 1</p> <p><b>EVQP0</b></p> <p>Overstroke travel : 0.35 mm With J-bent terminals</p> 	 <p style="text-align: center;">Circuit Diagram</p> <p style="text-align: center;">PWB land pattern for reference</p>				
<p>Part Numbers</p>	<p>Operating Force</p>	<p>Height</p>	<p>Push Plate Color</p>	<p>Ground Terminal</p>	<p>Operating Life</p>
<p>EVQP0N02B</p>	<p>0.6 N</p>	<p>2.5 mm</p>	<p>Blue</p>	<p>Without</p>	<p>2000000 cycles</p>
<p>EVQP0P02B</p>	<p>0.6 N</p>	<p>2.5 mm</p>	<p>Blue</p>	<p>With</p>	<p>2000000 cycles</p>
<p>EVQP0Q02Q</p>	<p>1.0 N</p>	<p>2.5 mm</p>	<p>Gray</p>	<p>Without</p>	<p>1000000 cycles</p>
<p>EVQP0S02Q</p>	<p>1.0 N</p>	<p>2.5 mm</p>	<p>Gray</p>	<p>With</p>	<p>1000000 cycles</p>

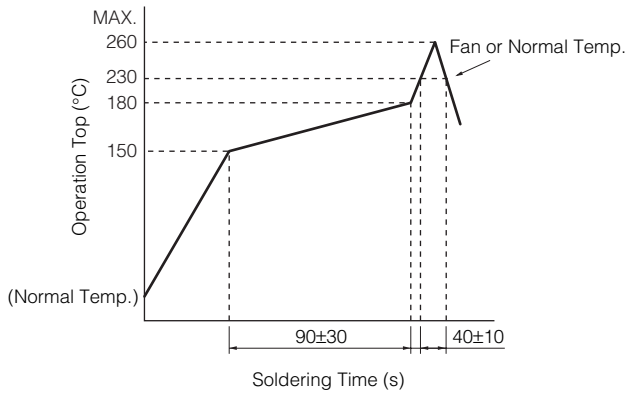
### ■ Dimensions in mm (not to scale)

<p style="text-align: center;">No. 2</p> <p><b>EVQQ2</b></p> <p>Short push travel : 0.25 mm With J-bent terminals</p> 	<div style="display: flex; justify-content: space-around;"> <div style="text-align: center;">  </div> <div style="text-align: center;">  </div> </div> <div style="display: flex; justify-content: space-around; margin-top: 10px;"> <div style="text-align: center;">  <p>Circuit Diagram</p> </div> <div style="text-align: center;">  <p>PWB land pattern for reference</p> </div> </div> <div style="text-align: right; margin-top: 10px;"> <table border="1" style="border-collapse: collapse;"> <thead> <tr> <th style="text-align: center;">Height</th> </tr> </thead> <tbody> <tr> <td style="text-align: center;">H</td> </tr> <tr> <td style="text-align: center;">2.0±0.2</td> </tr> <tr> <td style="text-align: center;">2.5±0.2</td> </tr> <tr> <td style="text-align: center;">3.1±0.2</td> </tr> </tbody> </table> </div>	Height	H	2.0±0.2	2.5±0.2	3.1±0.2
Height						
H						
2.0±0.2						
2.5±0.2						
3.1±0.2						

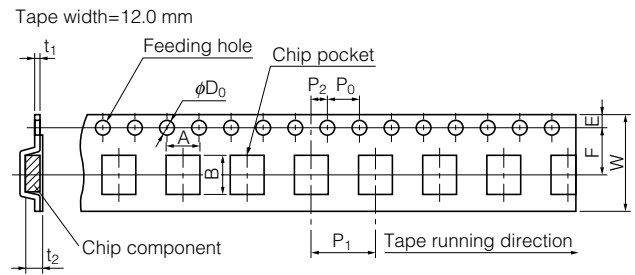
Part Numbers	Operating Force	H=Height	Push Plate Color	Ground Terminal	Operating Life
EVQQ2B01W	0.5 N	2.0 mm	White	Without	200000 cycles
EVQQ2B02W	0.5 N	2.5 mm	White	Without	200000 cycles
EVQQ2B03W	0.5 N	3.1 mm	White	Without	200000 cycles
EVQQ2D01W	0.5 N	2.0 mm	White	With	200000 cycles
EVQQ2D02W	0.5 N	2.5 mm	White	With	200000 cycles
EVQQ2D03W	0.5 N	3.1 mm	White	With	200000 cycles
EVQQ2F01W	1.0 N	2.0 mm	White	Without	100000 cycles
EVQQ2F02W	1.0 N	2.5 mm	White	Without	100000 cycles
EVQQ2F03W	1.0 N	3.1 mm	White	Without	100000 cycles
EVQQ2H01W	1.0 N	2.0 mm	White	With	100000 cycles
EVQQ2H02W	1.0 N	2.5 mm	White	With	100000 cycles
EVQQ2H03W	1.0 N	3.1 mm	White	With	100000 cycles
EVQQ2K01W	1.3 N	2.0 mm	White	Without	100000 cycles
EVQQ2K02W	1.3 N	2.5 mm	White	Without	100000 cycles
EVQQ2K03W	1.3 N	3.1 mm	White	Without	100000 cycles
EVQQ2M01W	1.3 N	2.0 mm	White	With	100000 cycles
EVQQ2M02W	1.3 N	2.5 mm	White	With	100000 cycles
EVQQ2M03W	1.3 N	3.1 mm	White	With	100000 cycles
EVQQ2P01W	1.6 N	2.0 mm	White	Without	100000 cycles
EVQQ2P02W	1.6 N	2.5 mm	White	Without	100000 cycles
EVQQ2P03W	1.6 N	3.1 mm	White	Without	100000 cycles
EVQQ2S01W	1.6 N	2.0 mm	White	With	100000 cycles
EVQQ2S02W	1.6 N	2.5 mm	White	With	100000 cycles
EVQQ2S03W	1.6 N	3.1 mm	White	With	100000 cycles
EVQQ2U01W	2.6 N	2.0 mm	White	Without	200000 cycles
EVQQ2U02W	2.6 N	2.5 mm	White	Without	200000 cycles
EVQQ2U03W	2.6 N	3.1 mm	White	Without	200000 cycles
EVQQ2W01W	2.6 N	2.0 mm	White	With	200000 cycles
EVQQ2W02W	2.6 N	2.5 mm	White	With	200000 cycles
EVQQ2W03W	2.6 N	3.1 mm	White	With	200000 cycles
EVQQ2Y01W	3.5 N	2.0 mm	White	Without	100000 cycles
EVQQ2Y02W	3.5 N	2.5 mm	White	Without	100000 cycles
EVQQ2Y03W	3.5 N	3.1 mm	White	Without	100000 cycles
EVQQ2201W	3.5 N	2.0 mm	White	With	100000 cycles
EVQQ2202W	3.5 N	2.5 mm	White	With	100000 cycles
EVQQ2203W	3.5 N	3.1 mm	White	With	100000 cycles

Design and specifications are each subject to change without notice. Ask factory for the current technical specifications before purchase and/or use.  
Should a safety concern arise regarding this product, please be sure to contact us immediately.

### Recommended Reflow Soldering Conditions



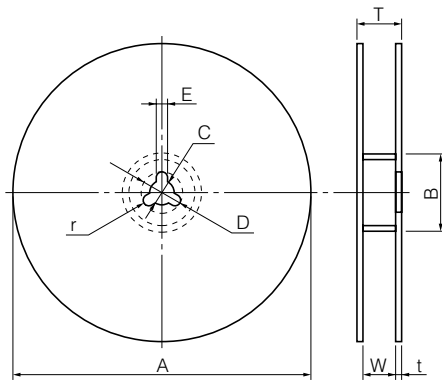
### Embossed Carrier Taping



Unit: mm

Part No.	Height	A	B	W	F	E	P1	P2	P0	D0 Dia	t1	t2
EVQQ2	2.0	6.7±0.2	7.4±0.2	12.0±0.3	5.5±0.1	1.75±0.10	8.0±0.1	2.0±0.1	4.0±0.1	1.5 <sup>+0.1</sup> <sub>-0.1</sub>	0.30±0.05	2.2±0.2
	2.5/3.1											3.2±0.2
EVQP0	2.5											2.8±0.2

### Standard Reel Dimensions in mm (not to scale)

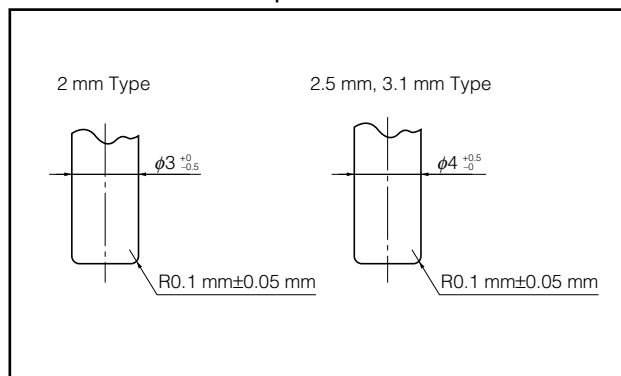


Item	A	B	C	D	E
Rate (mm)	φ380.0±2.0	φ80.0±1.0	φ13.0±0.5	φ21.0±1.0	2.0±0.5

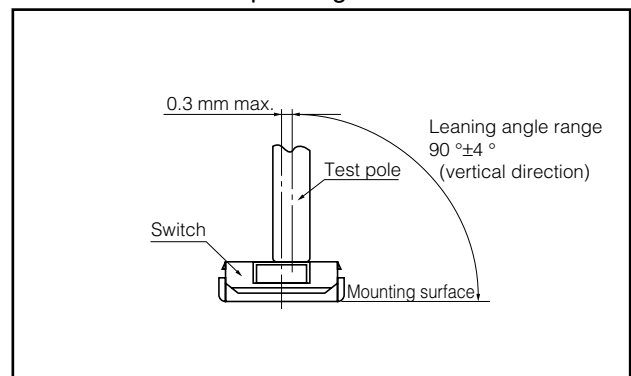
  

Item	W	T	t	r
Rate (mm)	13.5±1.0	17.5±1.0	—	—

### Recommended Shape of Test Pole



### Recommended Operating Conditions



Design and specifications are each subject to change without notice. Ask factory for the current technical specifications before purchase and/or use. Should a safety concern arise regarding this product, please be sure to contact us immediately.

00 Oct. 2012