

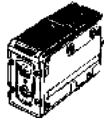
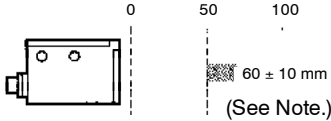
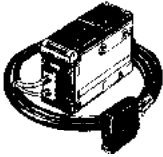
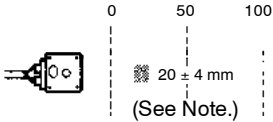


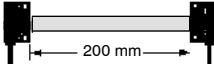
RGB Color Sensor Detects Subtle Color Differences — The Most Advanced Color Sensor In the Industry

- LED light source insures ease of operation and long life
- No separate light source is required
- Remote control of color setting from PC or PLC
- 4-color memory
- 4-output models available
- 3 models: lensed, precision fiber-optic, versatile standard fiber-optic
- IP66
- Rugged die-cast metal housing



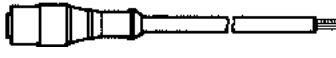
Ordering Information

■ RGB COLOR SENSOR

Type	Appearance	Sensing distance	Spot diameter	No. of outputs	Output	Part number
Lensed			12 mm	1	NPN	E3MC-A11
				4	PNP	E3MC-A41
					NPN	E3MC-MA11
					PNP	E3MC-MA41
Precision fiber-optic type	 The shape of the amplifier section is the same as for the E3MC-(M)A□□.		3 mm	1	NPN	E3MC-X11
				4	PNP	E3MC-X41
					NPN	E3MC-MX11
					PNP	E3MC-MX41
General-purpose fiber-optic type		Standard sensing distance E32-CC200  5 mm (See Note 2.) E32-T16  200 mm	Varies with the recommended fiber.	1	NPN	E3MC-Y11
				4	PNP	E3MC-Y41
					NPN	E3MC-MY11
					PNP	E3MC-MY41

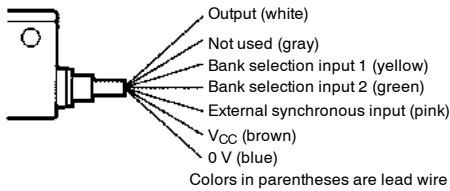
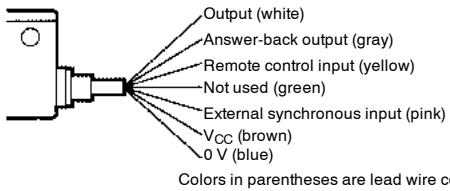
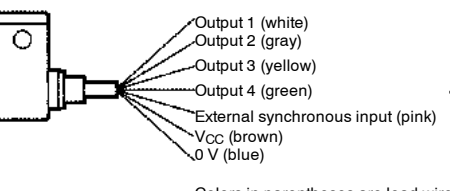
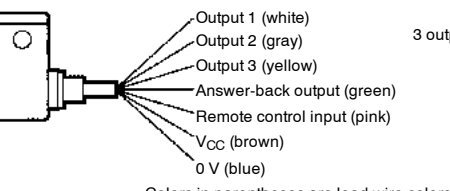
Note: Refer to the *Specifications* section of this data sheet.

■ ACCESSORIES (ORDER SEPARATELY)

Item	Appearance	Description	Part number
Sensor cable (2-m cable is included with the E3MC)		Replacement cable	E39-C1
		5-meter cable	E39-C1 5M
Mounting bracket	---	Replacement bracket (supplied with sensor)	E39-L114
	---	Used for DIN-rail mounting	E39-L115

Note: Included with sensor.

Specifications

Type	Lensed	Precision fiber-optic type	General-purpose fiber-optic type
		E3MC-A□1, E3MC-MA□1	E3MC-X□1, E3MC-MX□1
Light source	Red (680 nm), green (525 nm), and blue (450 nm) LEDs		
Sensing distance	60±10 mm	20±4 mm	Varies with the recommended fiber. Refer to Engineering Data for details.
Spot diameter	12 mm dia.	3 mm dia.	
Supply voltage	12 to 24 VDC±10%, ripple (p-p) 10% max.		
Current consumption	100 mA max.		
Output	Load current: 100 mA max. NPN open collector output with a maximum residual voltage of 1.2 V for the E3MC-(M)A11, E3MC-(M)X11, and E3MC-(M)Y11. PNP open collector output with a maximum residual voltage of 2.0 V for the E3MC-(M)A41, E3MC-(M)X41, and E3MC-(M)Y41. L.O./D.O., switch selectable		
Response time	1-output model: Standard mode: 3 ms max. High-speed mode: 1 ms max. (switch selectable) 4-output model: Standard mode: 6 ms max. High-speed mode: 2 ms max. (switch selectable)		
Timer function	40-ms OFF-delay timer (ON/OFF switch selectable)		
Color detection	Four colors stored in teaching operation with manual threshold level adjustments. 4 banks selectable (either by bank selection input or by using the SELECT button) Input response time for bank selection: 50 ms max.		
Color detection mode	Mode C: RGB ratio detection; adapts to changes in conditions } Switch selectable Mode I: RGB light intensity detection; highest precision		
Mode selection	<p>E3MC-□11/-□41 Mode A (Factory-set)</p>  <p>Mode B (for remote teaching)</p>  <p>E3MC-M□11/-□M41 Mode A (Factory-set)</p>  <p>Mode B (for remote teaching)</p>  <p>3 outputs</p>		

(This table continues on the next page.)

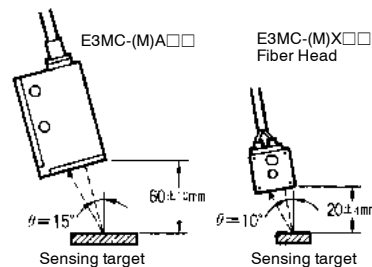
Specifications Table - continued from previous page

Type	Lensed	Precision fiber-optic type	General-purpose fiber-optic type
	E3MC-A□1, E3MC-MA□1	E3MC-X□1, E3MC-MX□1	E3MC-Y□1, E3MC-MY□1
Remote control input (mode B only)	The following control is performed according to the control signal input. E3MC-□11/-□41 Bank selection, remote teaching, or threshold selection E3MC-M□11/-M□41 Channel selection, remote teaching, or threshold selection		
Answer-back output (mode B only)	Load current: 100 mA max. NPN open collector output with a residual voltage of 1.2 V max. E3MC-(M)A11/-(M)X11/-(M)Y11 PNP open collector output with a residual voltage of 2.0 V max. E3MC-(M)A41/-(M)X41/-(M)Y41		
External synchronous input	Response time: 1 ms max. (The 4-output model is not available in mode B.)		
Indicator	Operation indicator (orange LED) 4-level bank indicator (green LED) (1-output models only: E3MC-A/X/Y) 7-level threshold indicator (red LED) 8-level detection indicator (green LED) Four channel indicators (orange LED) (4-output models only: E3MC-MA/MX/MY)		
Protection	Protection from reversed power supply connection and output short-circuit		
Ambient light immunity	Incandescent lamp: Illumination on optical spot: 3,000 lx max. Sunlight: Illumination on optical spot: 10,000 lx max.		
Ambient temperature	Operating: -25°C to 55°C (-13°F to 131°F) with no icing		
Relative humidity	Operating: 35% to 85% with no condensation		
Permissible fiber bending radius	---	10 mm min.	Varies with the type of selected fiber (see specific fiber specifications)
Insulation resistance	20 MΩ min. at 500 VDC		
Dielectric strength	1,000 VAC, 50/60 Hz for 1 min		
Vibration resistance	10 to 55 Hz, 1.0-mm double amplitude or 150 m/s ² (approx. 15G) for 2 hrs each in X, Y, and Z axes. 0.75-mm double amplitude or 100 m/s ² (10G) when using a Mounting Bracket.		
Shock resistance	500 m/s ² (approx. 50G) for 3 times each in X, Y, and Z axes. 300 m/s ² (30G) when using a Mounting Bracket.		
Enclosure rating	IEC IP66 with protective cover in place		
Material	Case: Zinc die-cast Cover: PES	Case: Zinc die-cast Cover: PES Fiber head: ABS	Case: Zinc die-cast Cover: PES
Weight (with 2-m cable)	Approx. 350 g	Approx. 400 g	Approx. 350 g

Note: Definition of Sensing Distance

Refer to the following table and the diagram to the right.

Item	E3MC-(M)A□□	E3MC-(M)X□□
Color discrimination mode	Mode C	
Response time	Standard mode	
Tolerance (θ)	15°	10°
Detectable colors	11 standard colors (See next page)	

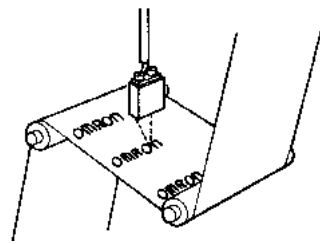


Application Examples

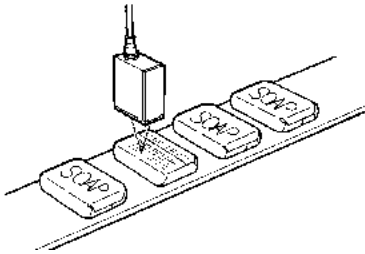
■ DETECTING INTERNAL YELLOW RESIN PLATES OF A BATTERY



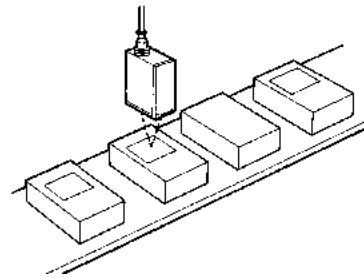
■ PATTERN POSITIONING



■ DISCRIMINATING FRONT AND BACK SIDES OF OBJECTS



■ DETECTING LABELS



■ STANDARD DETECTABLE COLORS

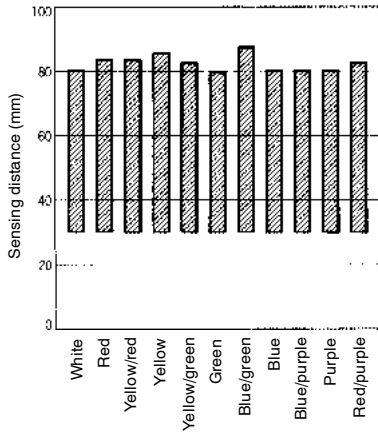
Color (11 standard colors)	Munsell color notation (See Note.)
White	N9.5
Red	4R 4.5/12.0
Yellow/red	4YR 6.0/11.5
Yellow	5Y 8.5/11.0
Yellow/green	3GY 6.5/10.0
Green	3G 6.5/9.0
Blue/green	5BG 4.5/10.0
Blue	3PB 5.0/10.0
Blue/purple	9PB 5.0/10.0
Purple	7P 5.0/10.0
Red/purple	6RP 4.5/12.5

Note: Munsell Color Notation: A color classification system that assigns three values to each color: Hue, Value, and Chroma. System was developed by Albert Munsell and published in 1905.

Engineering Data

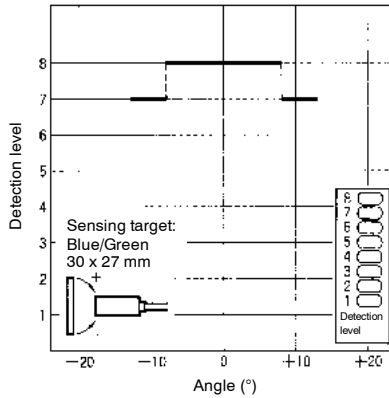
■ SENSING DISTANCE VS. COLOR DIFFERENCES (TYPICAL)

E3MC-(M)A□□



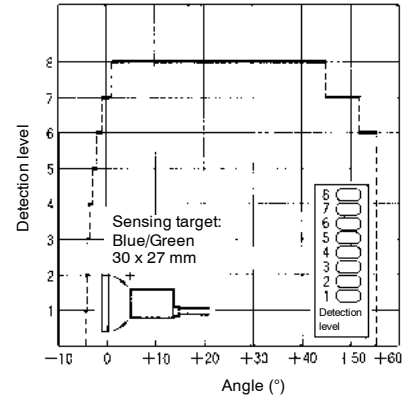
■ ANGLE CHARACTERISTICS (TYPICAL)

E3MC-(M)A□□ (X Direction)



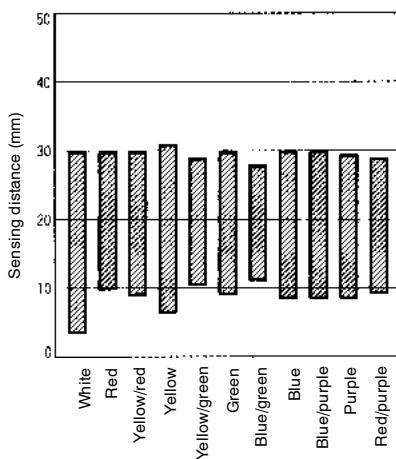
■ ANGLE CHARACTERISTICS (WHEN TEACHING AT AN INCLINATION OF 15°)

E3MC-(M)A□□ (Y Direction)



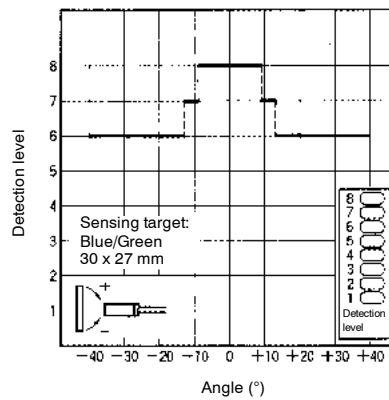
■ SENSING DISTANCE VS. COLOR DIFFERENCES (TYPICAL)

E3MC-(M)X□□



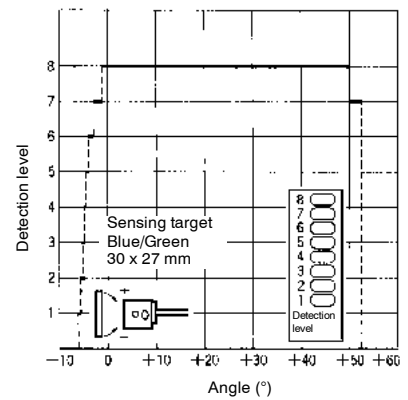
■ ANGLE CHARACTERISTICS (TYPICAL)

E3MC-(M)X□□ (X Direction)



■ ANGLE CHARACTERISTICS (WHEN TEACHING AT AN INCLINATION OF 10°)

E3MC-(M)X□□ (Y Direction)



■ GENERAL-PURPOSE FIBER-OPTIC TYPE

Recommended Fiber: Diffuse Fiber-Optic

The following optical fibers are recommended for use with the E3MC-(M)Y□□.

Part number	Sensing distance (See Note 1.)
E32-DC200	5 mm (0.20 in)
E32-CC200 (See Note 2.)	5 mm (0.20 in)
E32-D32L (See Note 3.)	4.5 mm (0.18 in)
E32-D11L	5 mm (0.20 in)

- Note: 1. The E3MC-(M)Y□□ discriminates eleven colors at the above distances. For a typical example, nine colors are discriminated at a sensing distance of 12 mm (0.47 in).
2. The fiber to be inserted into the emitter is indicated with white lines. Insert the amplifier fiber into the lower emitter section.
3. The fiber to be inserted into the emitter is indicated with dotted yellow lines. Insert the amplifier fiber into the lower emitter section.

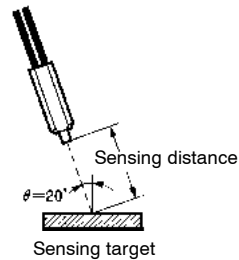
■ AVAILABLE OPTICAL FIBERS

In addition to the previous recommended optical fibers, the following optical fibers are available for the E3MC-(M)Y□□. Refer to E32 Fiber Optic Cables for details. Optical fibers other than the following are not compatible.

Part number	Sensing method	Remarks
E32-TC200A	Through-beam	Not different from the E32-TC200 in optical characteristics.
E32-TC200B		
E32-TC200C		
E32-TC200D		
E32-T12L		
E32-T14	---	---
E32-T11		
E32-T11R	Through-beam (R1 fiber)	---

Sensing Distance of a Diffuse Fiber

E32-DC200, etc.



■ RECOMMENDED FIBER: THROUGH-BEAM FIBER

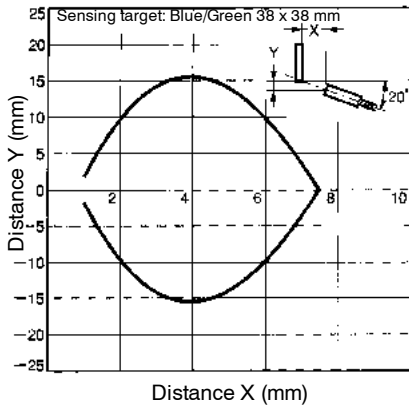
The E3MC-(M)Y□□ discriminates red, blue, and yellow films at the distances below using these recommended fibers.

Part number	Sensing range
E32-TC200	30 mm (1.18 in)
E32-T11L	60 mm (2.36 in)
E32-T16	200 mm (7.87 in)
E32-T17L	1.1 m (3.61 ft)

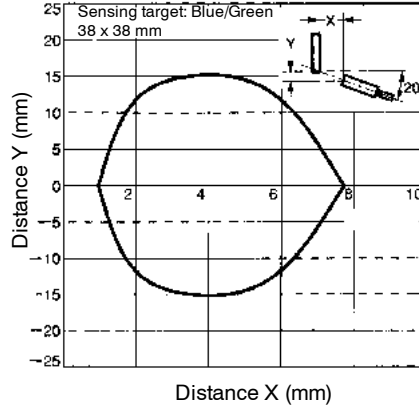
Part number	Sensing method	Remarks
E32-DC200B	Diffuse	Not different from the E32-DC200 in optical characteristics.
E32-DC200C		
E32-DC200D		
E32-D12		
E32-D11		
E32-D11R	Through-beam (R1 fiber)	---
E32-G14	Groove	---

OPERATING RANGE CHARACTERISTICS (TYPICAL)

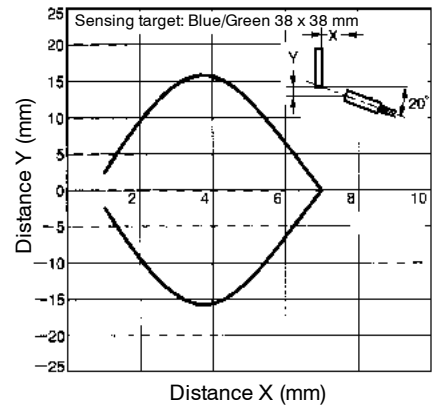
E32-DC200



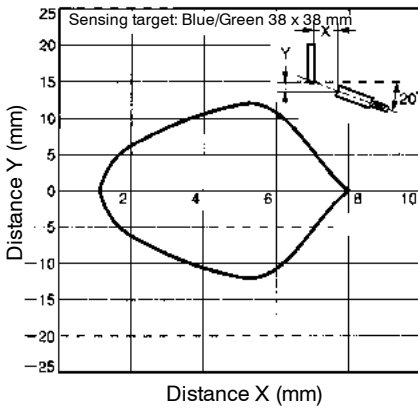
E32-CC200



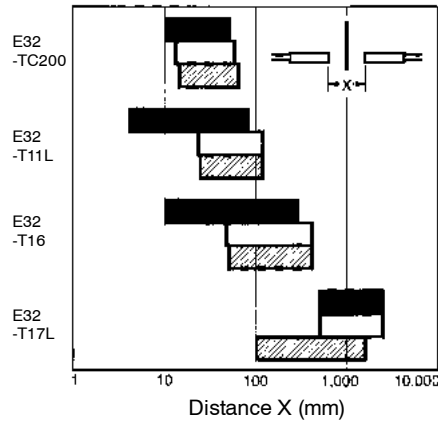
E32-D32L



E32-D11L



**Sensing Target:
Red, Blue, and Yellow Films**

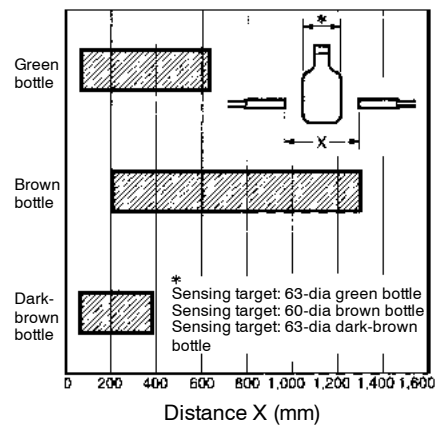


- Sensing target: Film in Red (rosco/UX, scarlet)
- Sensing target: Film in Yellow (rosco/UX, straw)
- Sensing target: Film in Blue (rosco/UX, skyblue)

The above color films are made by the rosco company.

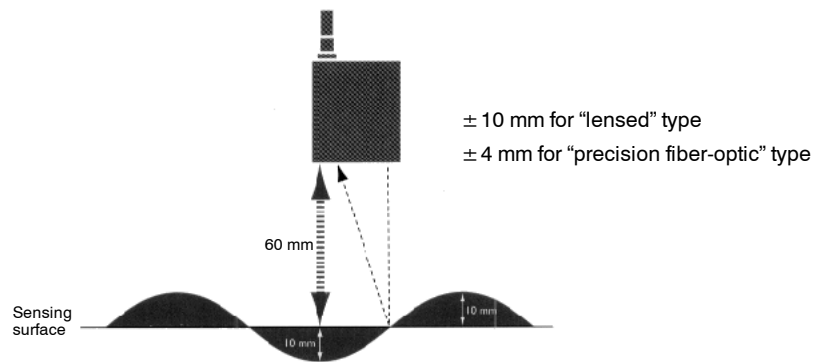
■ CHROMATIC SENSITIVITY (TYPICAL)

Sensing Target: Bottle
E32-T17L



■ TOLERANCE OF MECHANICAL FLUCTUATION

Sensing Center Point



Nomenclature

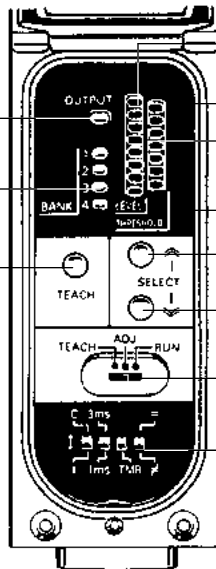
■ E3MC ALL MODELS

Operation Indicator (Orange)
Illuminated when output is ON. Under mode B (single-output models), the indicator will be illuminated when mode B is active or when the mode selector is set to TEACH.

Bank Indicator (Green)
1-channel models. Displays selected bank.

Channel Indicator (Orange)
4-channel models. Displays selected channels. Illuminated when the output of each channel is ON.

TEACH Button
Stores target color. On 4-channel models, used to check the number of channels that are indicated by both the operation indicator and channel indicator.



Detection Level Indicator (Green)
Displays similarity level between registered and detectable colors.

Tolerance #1

Threshold Indicator (Red)
Displays threshold level.

Tolerance #7

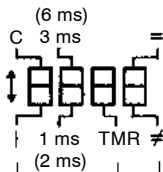
SELECT UP Button, SELECT DOWN Button
Bank selection
Threshold adjustment

Mode Selector
Selects TEACH, ADJ, or RUN mode.

Function Switch (see details below)
Color discrimination mode selection
Response time selection
OFF-delay timer setting
Conformity/Non-conformity output selection

Function Switch

The following settings are possible in RUN or ADJ mode. (Each pin of the function switch is factory-set to the upper position.)



Note: Figures shown in parentheses are for the 4-output models.

Color Discrimination Mode Selection (Mode C is Recommended for Normal Applications)

- Mode C: Color discrimination is performed according to R (red), G (green), and B (blue) ratio of the reflection light even if the sensing objects fluctuate up and down within the rated sensing range.
- Mode I: Color discrimination is performed according to RGB light intensity of reflection light. This mode ensures more delicate color discrimination than mode C.

Response Time Selection

- 3 ms (6 ms): The E3MC can stably detect minute differences of color. Set the response time to 3 ms for usual applications.
- 1 ms (2 ms): The E3MC will be in quick-response operation. Set the response time to 1 ms if high-speed response is required.

OFF-delay Timer Setting

- : No OFF-delay timer is set.
- TMR: A 40-ms OFF-delay timer is set for control output.

Conformity/Non-conformity Output (See glossary—Light/Dark Operate)

- =: Output is ON when the detected color coincides with the registered color.
- ≠: Output is ON when the detected color does not coincide with the registered color.

Operation

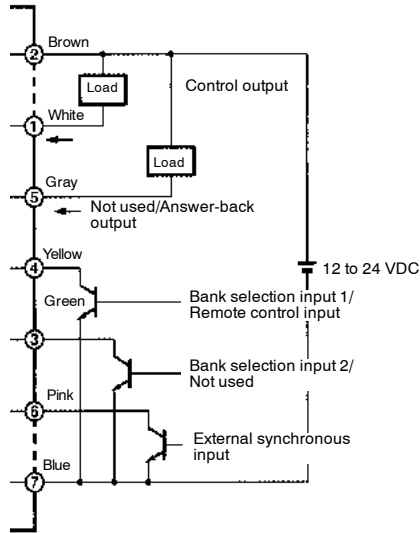
OUTPUT CIRCUITS

Connector Pin Arrangement For All Models

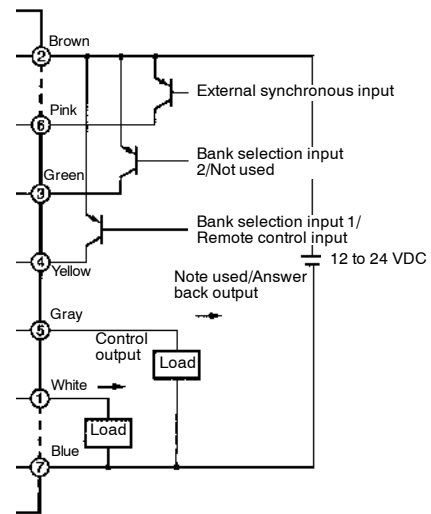


Note: Pin 8 is not used.

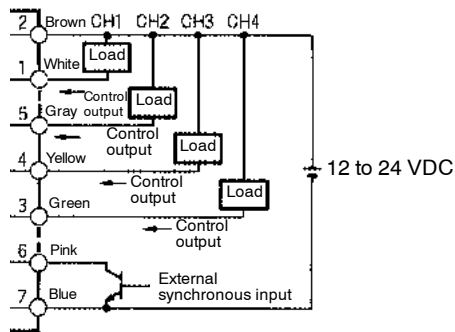
E3MC-□11 with NPN Output (1-output Models)



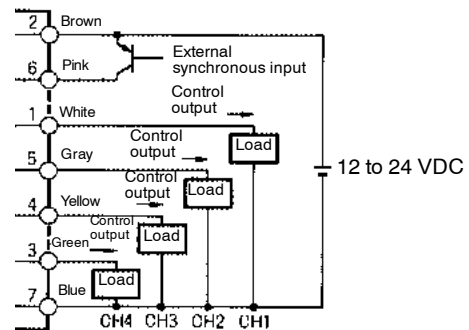
E3MC-□41 with PNP Output (1-output Models)



E3MC-M□11 with NPN Output (4-output Models)



E3MC-M□41 with PNP Output (4-output Models)

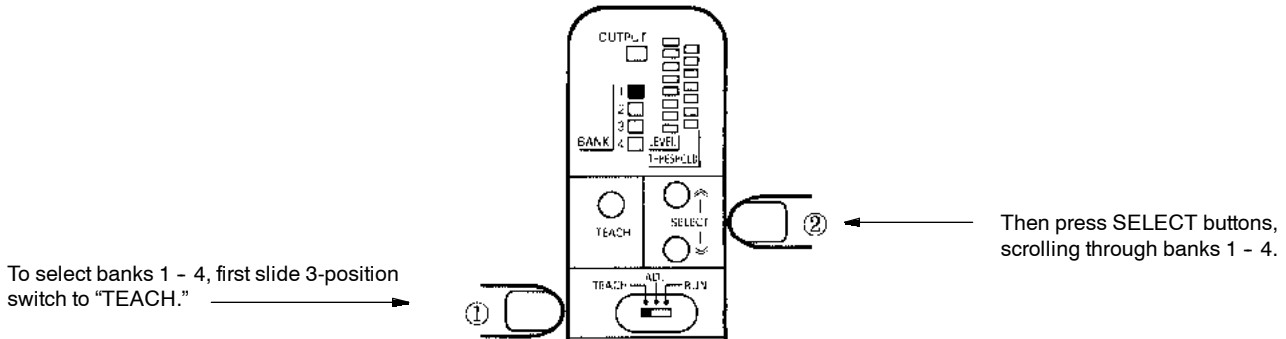


■ SETTINGS

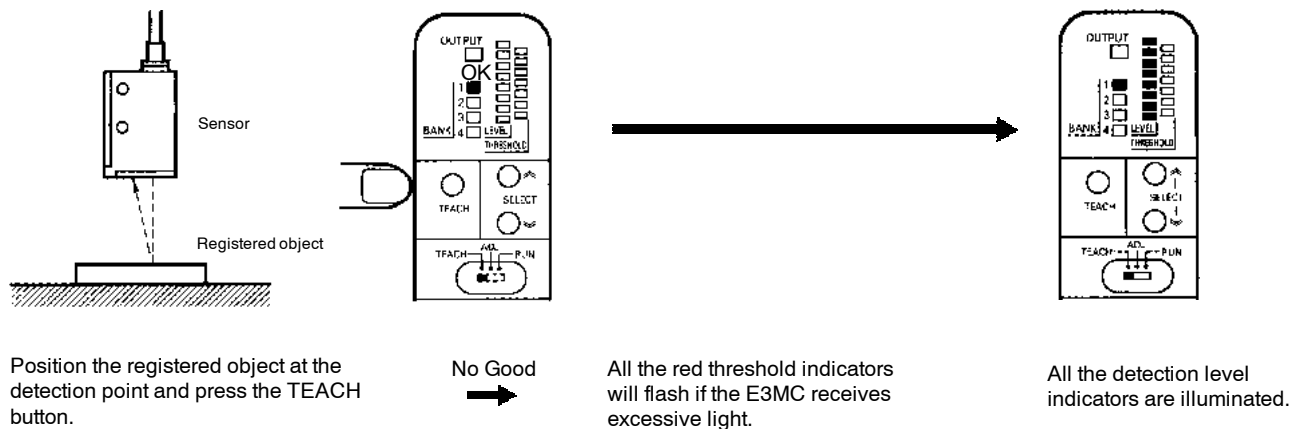
E3MC-A□□/ E3MC-X□□ -- Single-Output Models

1. Bank Selection

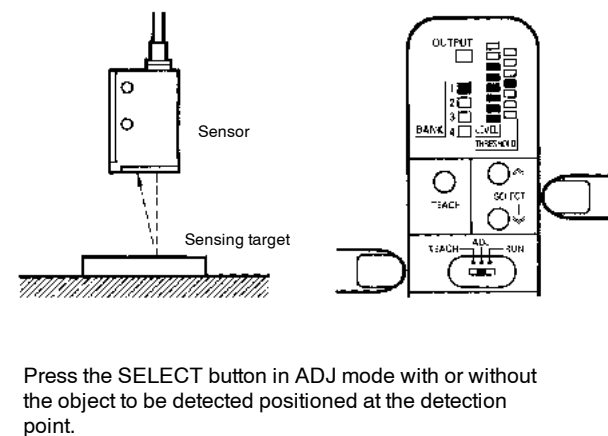
Set the Mode Selector to the TEACH mode, and then select the BANK using the SELECT button.



2. Color Registration



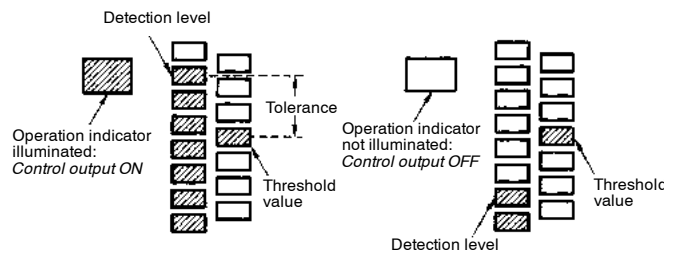
3. Threshold Adjustment (If Required)



• Detection Level and Tolerance

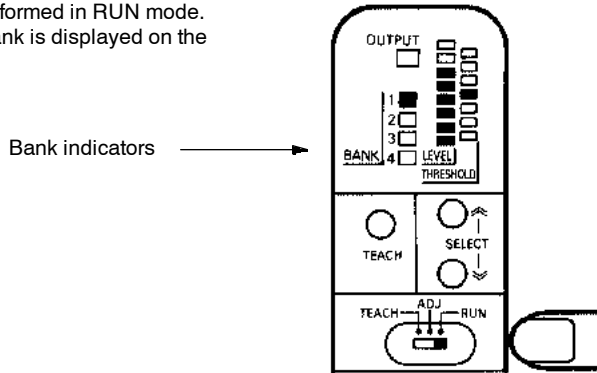
As the detected color becomes closer to the registered color, the number of illuminated detection level indicators increases. When the E3MC is in conforming output mode, the control output of the E3MC will be ON if the detection level exceeds the threshold level and OFF if the detection level does not exceed the threshold level.

Set the threshold to a higher level for highly-precise color discrimination and to a lower level to ignore minor tint differences or dirt retention.



4. Operation

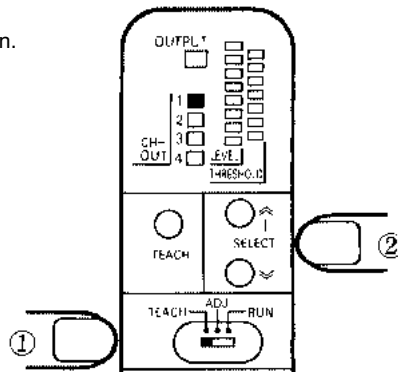
Detection operation is performed in RUN mode. ON/OFF status of each bank is displayed on the bank indicators.



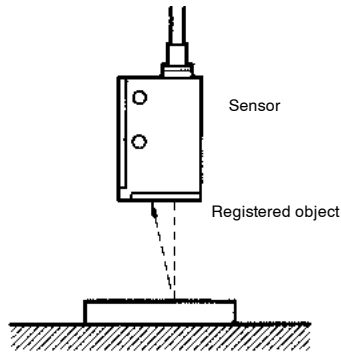
E3MC-MA□□/ E3MC-MX□□ -- 4-Output Models

1. Channel Selection

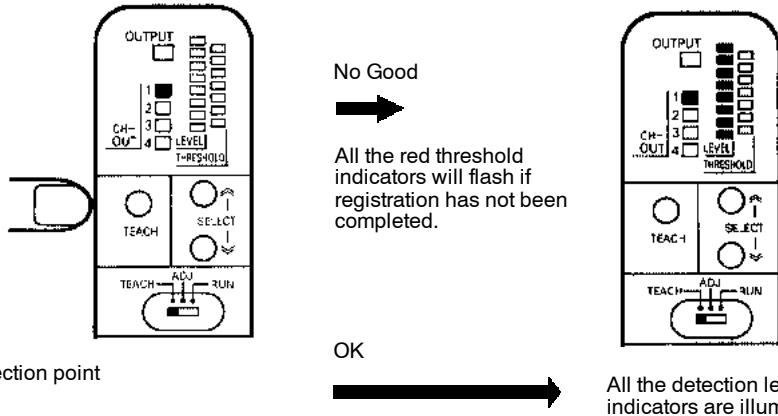
Set the Mode Selector to the TEACH mode. Then select the channel using the SELECT button.



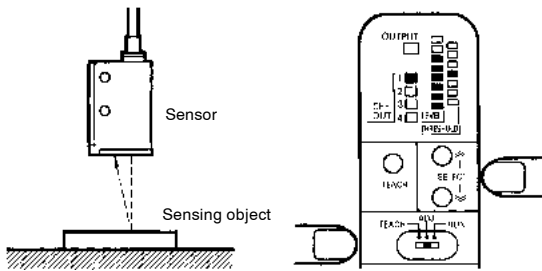
2. Color Registration



Position the registered object at the detection point and press the TEACH button.



3. Threshold Adjustment (If Required)

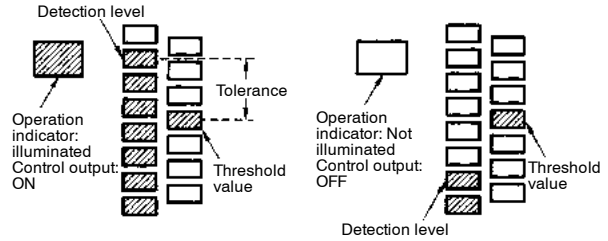


Press the SELECT button in ADJ mode with or without the object to be detected positioned at the detection point. The channel selected in the TEACH mode or RUN mode will become the channel for the ADJ mode.

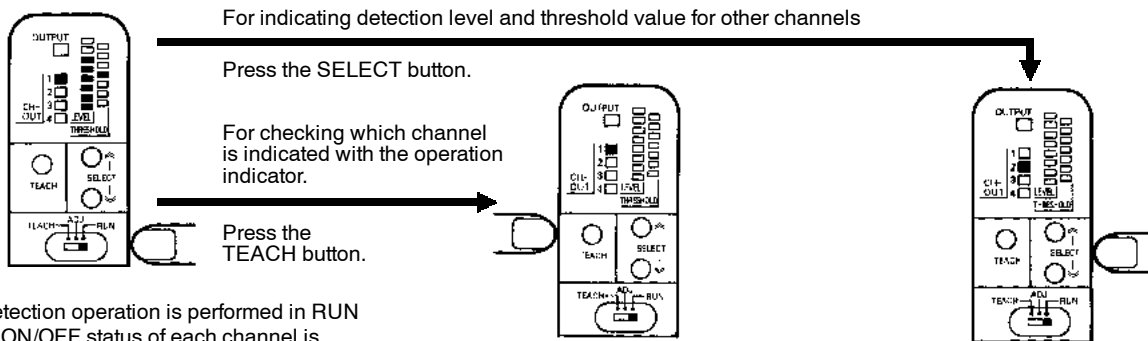
• Detection Level and Tolerance

As the detected color becomes closer to the registered color, the number of illuminated detection level indicators increases. When the E3MC is in conforming output mode, the control output will be ON if the detection level exceeds the threshold level and OFF if the detection level does not exceed the threshold level.

Set the threshold to a higher level for highly-precise color discrimination and to a lower level to ignore minor tint differences or dirt accumulation.



4. Operation



The detection operation is performed in RUN mode. ON/OFF status of each channel is displayed on the channel indicators. Doubly displayed channels (operation indicator and channel indicator) can be checked and selected by pressing the TEACH button and selected by pressing the SELECT button.

Displays the channel whose detection level is currently indicated in the channel indicator for three seconds.

Displays the selected channel for three seconds and indicates detection level and threshold value of the selected channel.

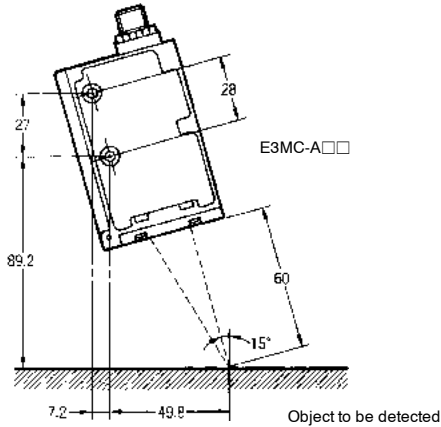
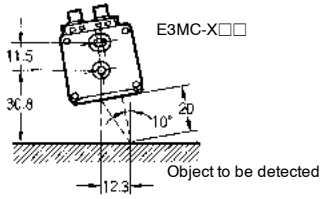
■ DETECTION LEVEL AND INDICATOR

Indicator								
Detection level	1	2	3	4	5	6	7	8

TECHNICAL GUIDE

If the E3MC does not detect metal or glossy objects accurately, change the mounting angle of the E3MC so that it will not receive regular reflection light directly reflected from the objects.

The mounting angle of the E3MC-X□□ can be adjusted to approximately 10° with the mounting holes.



Detection of White, Gray, or Black Objects

When registering white, gray, or black objects, change the color discrimination mode to "Mode I" to achieve a more stable color discrimination.

External Light

The E3MC may malfunction if it directly receives external light interference. Provide a cover to shut-out such external light interference.

Adjustment of Sensing Distance of General-purpose Fiber-optic Type

Unlike the E3MC-A or E3MC-X, the E3MC-Y may require adjustment of its sensing distance depending on the reflection rate. This also applies to the through-beam type.

OK: All Detection Level Indicators (green) illuminated.

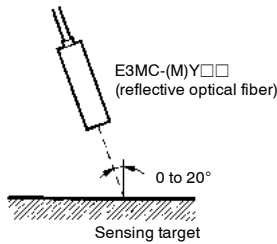
Feed workpieces and check if they are detected.

Bring the fiber head as close as possible to the workpiece and conduct teaching.

NG: All Threshold Indicators (red) flashing.

Excessive light. Move the head away from the workpiece and find a position where teaching is accepted. This position is the optimum distance.

Note: To avoid malfunction, provide a cover to shut out direct external light interference to the E3MC.



On the other hand, sensing targets such as metal or transparent plastic cases may be detected by allowing regular reflection.

REGISTERED COLOR SELECTION (BANK SELECTION INPUT)

Single-Output Models ONLY (E3MC-A□□/E3MC-X□□/ E3MC-Y□□)

The E3MC in RUN mode offers bank selection with external inputs by combining bank selection input 1 (yellow) and input 2 (green). The selected bank is active when the indicator is illuminated.

NPN (E3MC-A11/-X11/-Y11)

Bank	Input 1	Input 2
1	OPEN	OPEN
2	GND	OPEN
3	OPEN	GND
4	GND	GND

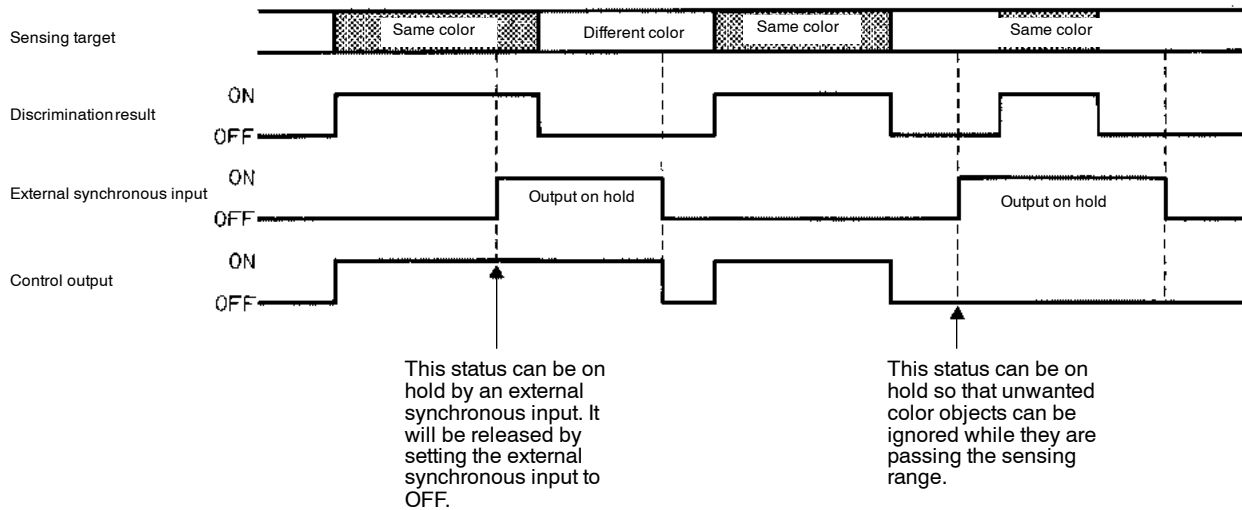
PNP (E3MC-A41/-X41/-Y41)

Bank	Input 1	Input 2
1	OPEN	OPEN
2	Vcc	OPEN
3	OPEN	Vcc
4	Vcc	Vcc

EXTERNAL SYNCHRONOUS INPUT FUNCTION

External Synchronous Input (ESI) latches the sensor output in the existing state when ESI is on. For example, if sensor output is on when ESI is on, the output(s) will remain on until ESI is turned off, regardless of target presence or absence. The measurement results will be directly output to the control output if the input from the external synchronous input terminal (pink) is set to OFF. External synchronous input is valid in RUN or ADJ mode.

Condition	NPN (E3MC-□□11)	PNP (E3MC-□□41)
ON (Status on hold)	GND (0 V)	Vcc (+ V)
OFF (Result output)	OPEN	OPEN



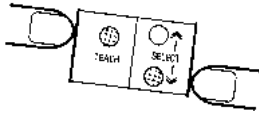
REMOTE TEACHING (REMOTE CONTROL FUNCTION)

Mode Setting

When using the remote control function of the Sensor for remote teaching, be sure to set the Sensor to mode B.

Setting Method

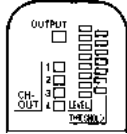
Apply power to the Sensor while pressing the SELECT DOWN button and TEACH button together.



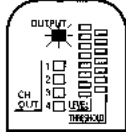
Checking Method

Mode A or B of the E3MC will be displayed for 3 s after mode setting. When the mode selector is set to TEACH, the mode can be checked from the operation indicator. The indicator will be lit when the mode is set to B.

Mode A:
Operation indicator is OFF.



Mode B:
Operation indicator is ON.



- Note:
1. The Sensor is set to mode A before shipping.
 2. The current mode selected does not change after the Sensor is turned OFF.
 3. The remote control function is available in RUN mode and ADJ mode only.
 4. The E3MC-M□ has three outputs in mode B and no external synchronous input will be accepted.
 5. The same switching procedure can be used for changing to mode A.

Remote Teaching Method

Function 1: Remote teaching with manual input through an external connection

Short-circuit the remote control input for 1.5 s or more to either of the following terminals according to the E3MC model.

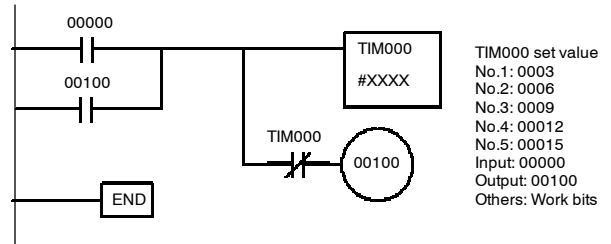
NPN type (E3MC-□□11)	Short-circuit to GND (blue) terminal.
PNP type (E3MC-□□41)	Short-circuit to Vcc (brown) terminal.

Function 2: Remote control of teaching and bank selection through the PLC or PC

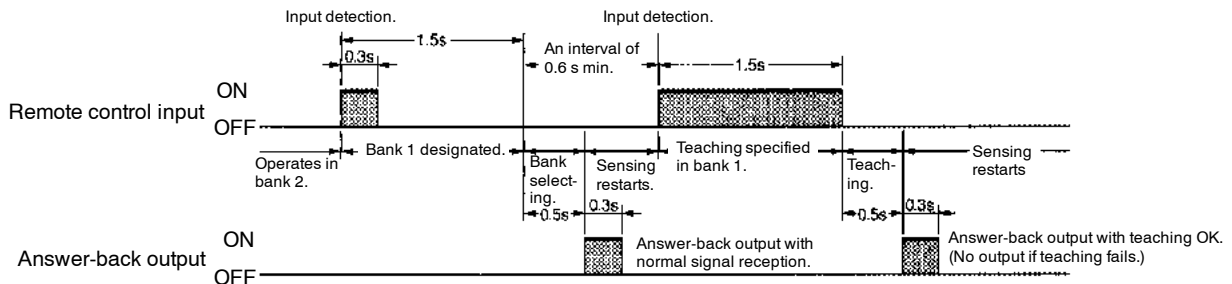
Input one of the following signals as a remote control input. There will be an answer-back output for 0.3 s if the signal is correctly received.

No.	Control signal	E3MC-□	E3MC-M□□
1		Bank 1 selected.	Channel 1 selected.
2		Bank 2 selected.	Channel 2 selected.
3		Bank 3 selected.	Channel 3 selected.
4		Bank 4 selected.	Not used.
5		Teaching of selected bank.	Teaching of selected channel.

The following is an example of a timing chart of teaching after bank selection.



The following is an example of a timing chart of teaching after bank selection.



Function 3: Remote control of threshold adjustments through the PLC or PC

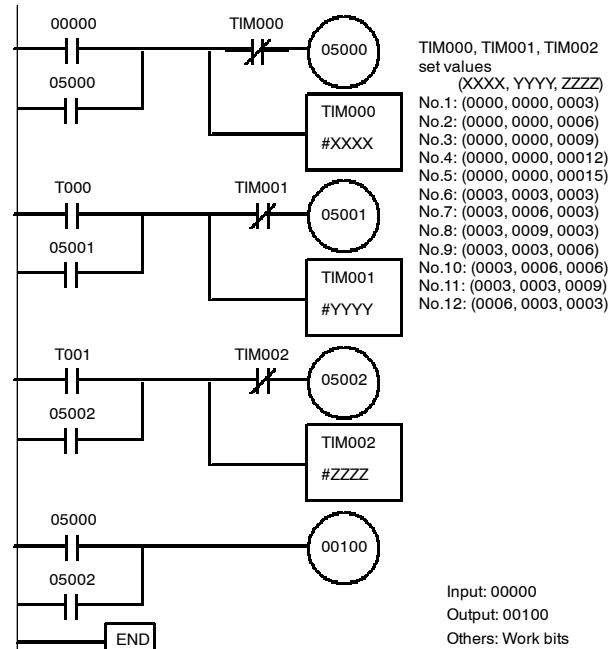
Input either one of the following signals as remote control input. There will be an answer-back output for 0.3 s if the signal is correctly accepted.

No.	Control signal	All E3MC models
6		Threshold 1 selected.
7		Threshold 2 selected.
8		Threshold 3 selected.
9		Threshold 4 selected.
10		Threshold 5 selected.
11		Threshold 6 selected.
12		Threshold 7 selected.

Threshold and Display

- Threshold 1
- Threshold 2
- Threshold 3
- Threshold 4
- Threshold 5
- Threshold 6
- Threshold 7

The following is an example of ladder programming for setting control signals. Full control of the E3MC is possible using this function.



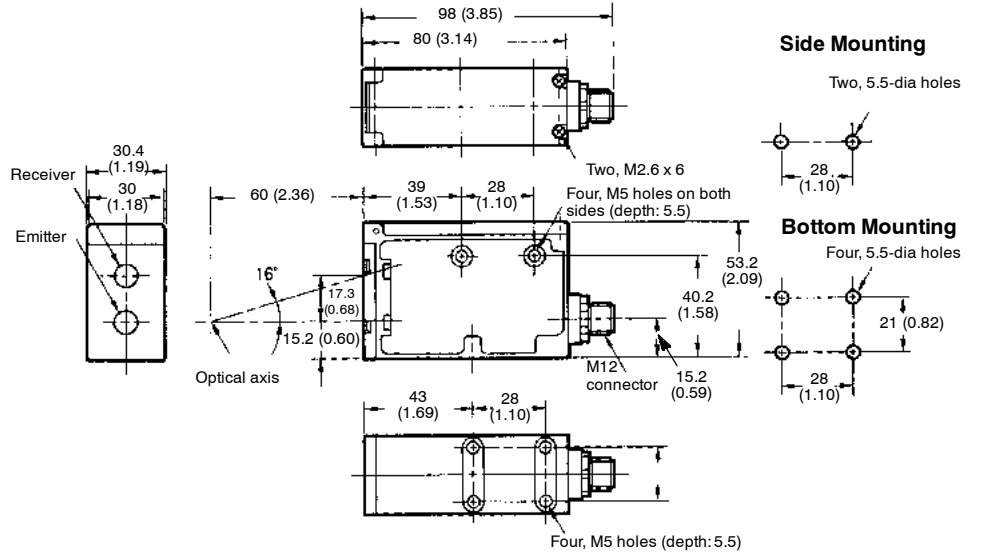
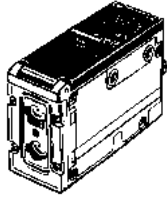
- Note:
1. The permissible error of each signal pulse is ± 0.1 s max.
 2. A minimum interval of 0.6 s is required between signals.
 3. Threshold 4 is set after teaching.

Dimensions

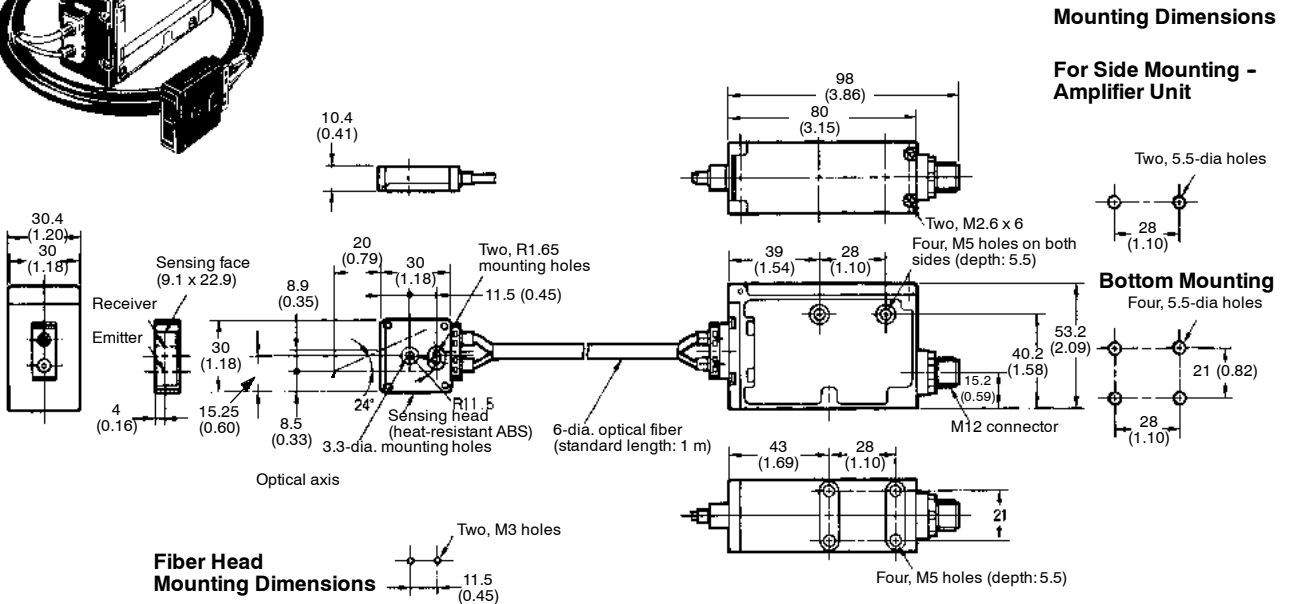
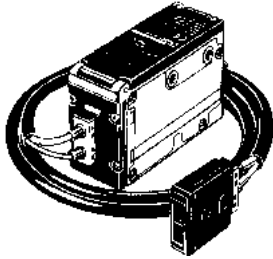
Unit: mm (inch)

■ RGB COLOR SENSORS

E3MC-A□□
E3MC-MA□□

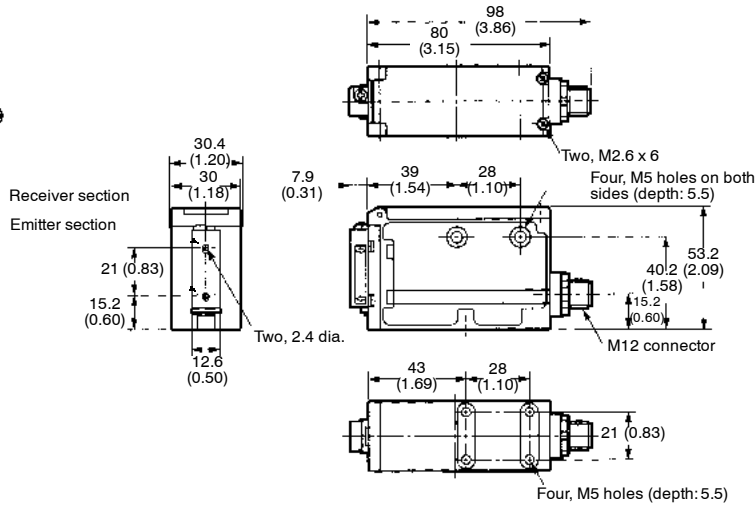
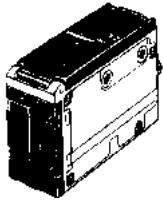


E3MC-X□□
E3MC-MX□□



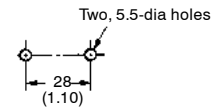
Unit: mm (inch)

E3MC-Y□□
E3MC-MY□□

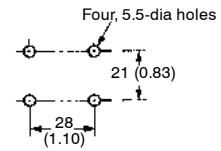


Mounting Dimensions

Side Mounting



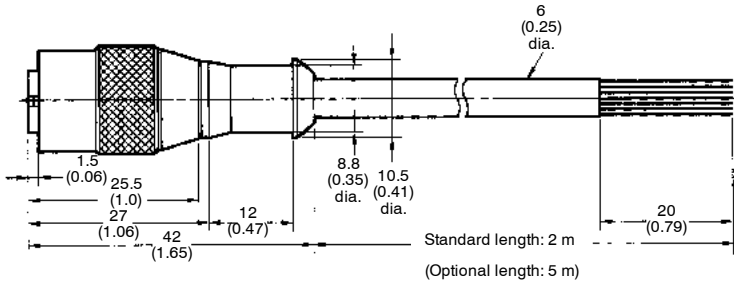
Bottom Mounting



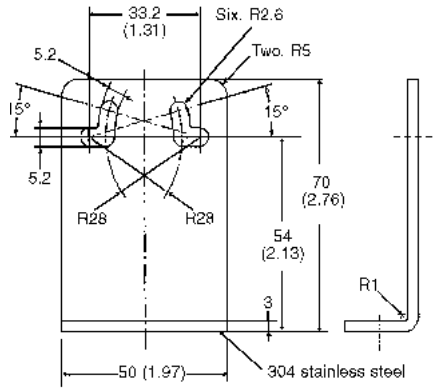
ACCESSORIES

Sensor I/O Connector

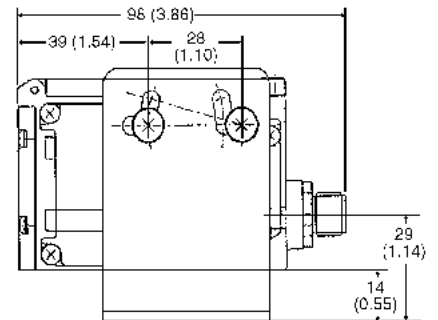
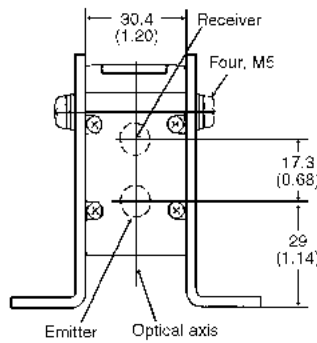
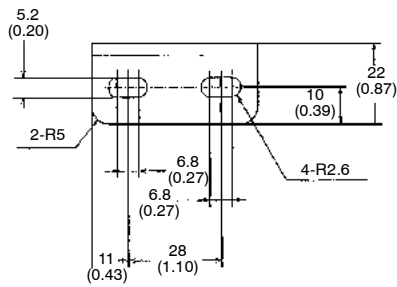
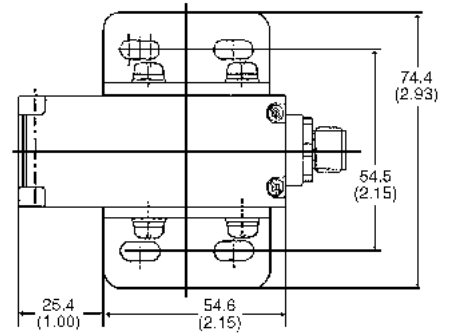
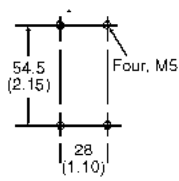
E39-C1 2M
E39-C1 5M



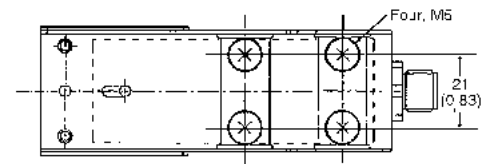
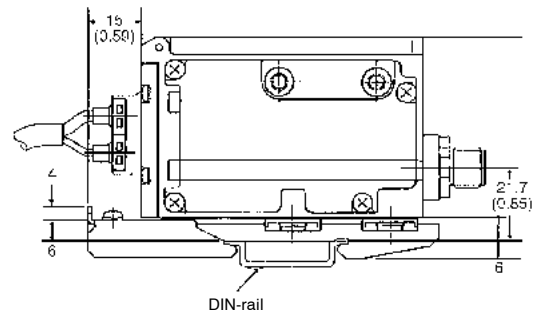
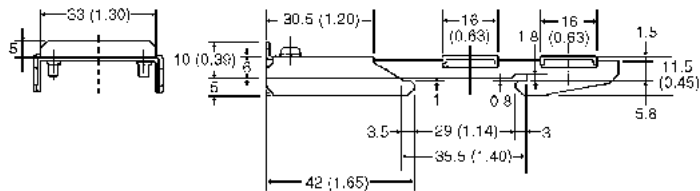
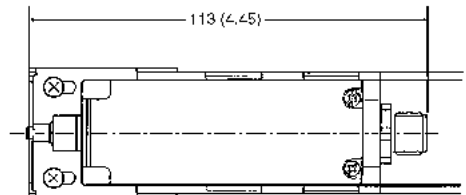
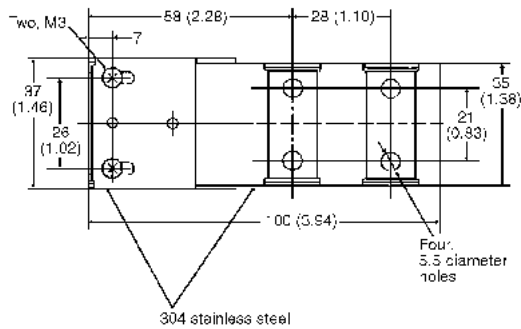
E39-L114 DIN Rail Side-Mounting Brackets



Mounting Holes



E39-L115 DIN Rail Mounting Bracket



Installation

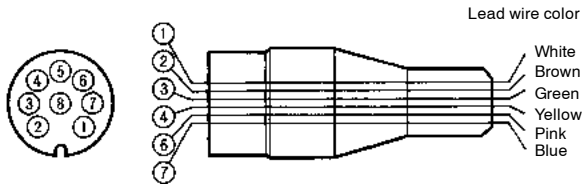
■ PLUG

Sensor I/O Connector

E39-C1 2M

E39-C1 5M

Internal Wiring



Connection

Pin no.	Wire color	Purpose	
		E3MC-□11 or E3MC-□41	E3MC-M□11 or E3MC-M□41
1	White	Output	Output 1
2	Brown	Power supply (+V)	
3	Green	Bank selection input 2	Output 4
4	Yellow	Bank selection input 1	Output 3
5	Gray	---	Output 2
6	Pink	External synchronous input	
7	Blue	Power supply (0 V)	

■ PRECISION FIBER-OPTIC TYPE

Tightening Torque

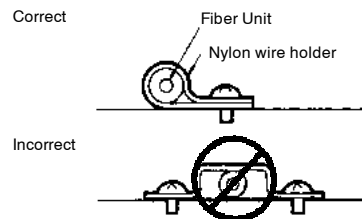
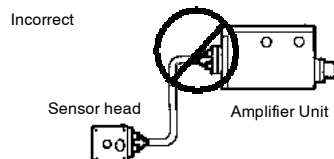
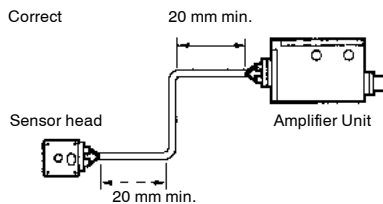
The Fiber Unit must be tightened to a maximum torque of 0.54 N • m (5.4 kgf • cm or 4.85 in • lbs).

Mounting

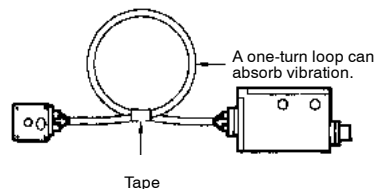
When Fiber Units are mounted facing each other, you must adjust the optical axes of the Fiber Units to avoid any mutual interference.

Handling the Fiber Unit

- Do not pull or press the Fiber Unit.
- Do not bend the Fiber Unit beyond the permissible bending radius provided in Ratings/Characteristics.
- Do not bend the edge of the Fiber Unit.
- Do not apply excess force to the Fiber Unit.



- The Fiber Head could be broken by excessive vibration. To prevent this, use a one-turn loop to absorb vibration, as shown here:



■ AMPLIFIER UNIT

Tightening Torque

The Amplifier Unit must be tightened to a maximum torque of $2.3 \text{ N} \cdot \text{m}$ ($23 \text{ kgf} \cdot \text{cm}$).

Mounting

When Sensors are mounted facing each other, you must adjust the optical axes so that the Sensors will not cause mutual interference.

■ GENERAL-PURPOSE FIBER-OPTIC TYPE

Insertion

The inserted E32-series Fiber Unit comes in contact with the internal rubber packing first. Insert the Fiber Unit further until it comes in contact with the innermost end.

Mounting

Tighten the Fiber Unit with a screwdriver to a torque of $0.2 \text{ N} \cdot \text{m}$ ($2 \text{ kgf} \cdot \text{cm}$).

Fibers

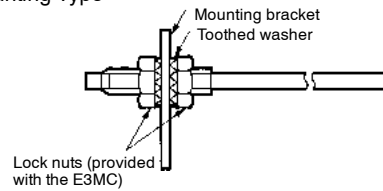
Among the recommended fibers, the E32-CC200 and E32-D32L have white or dotted yellow lines on the fiber to be inserted into the emitter. When using the E3MC-(M)Y□□, insert the fiber with the line into the emitter section at the bottom of the amp.

■ E32-SERIES FIBER UNITS

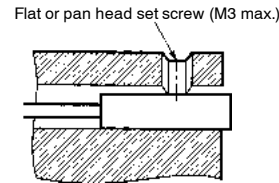
Tightening Torque

When mounting the Fiber Unit, refer to the following table and make sure that the tightening torque applied is correct.

Screw-mounting Type



Column Type



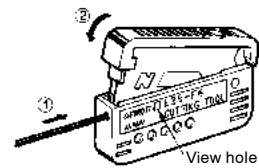
Fiber unit	Tightening torque
M3 screw M4 screw	$0.78 \text{ N} \cdot \text{m}$ { $8 \text{ kgf} \cdot \text{cm}$ } max.
M6 screw	$0.98 \text{ N} \cdot \text{m}$ { $10 \text{ kgf} \cdot \text{cm}$ } max.
2-dia column	$0.29 \text{ N} \cdot \text{m}$ { $3 \text{ kgf} \cdot \text{cm}$ } max.
3-dia column	$0.29 \text{ N} \cdot \text{m}$ { $3 \text{ kgf} \cdot \text{cm}$ } max.
E32-T16	$0.49 \text{ N} \cdot \text{m}$ { $5 \text{ kgf} \cdot \text{cm}$ } max.

Make sure that the size of the wrench applied to the nut is correct.

Fiber Cutting

Insert the fiber into one of the insertion holes of the Cutting Tool to cut the fiber to the desired length.

Press down the blade of the Cutting Tool to cut the fiber in a single stroke. Do not stop the Cutting Tool midway.

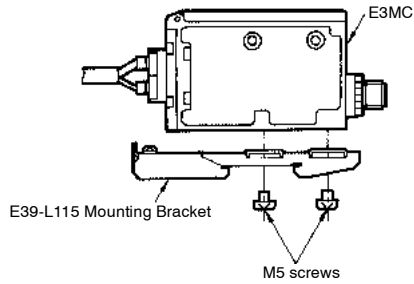


Each insertion hole can be used only once. Do not use it again, or the fiber may not be cut properly and the sensing distance may decrease.

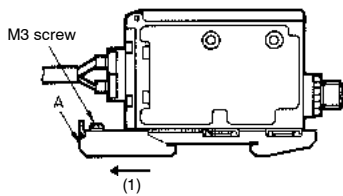
■ DIN-RAIL MOUNTING/REMOVAL WITH THE E39-L115

Mounting

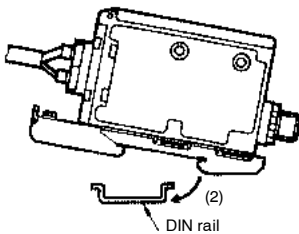
1. Attach the E39-L115 Mounting Bracket to the E3MC with four M5 screws.



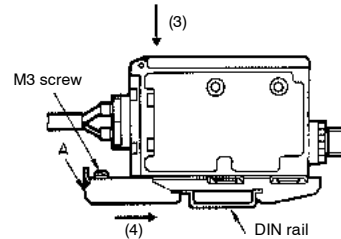
2. When mounting the E3MC with the E39-L115, loosen the M3 screw of the E39-L115 and slide part A in the direction indicated by arrow (1) as shown in the following illustration.



3. Mount part (2) to the DIN rail.



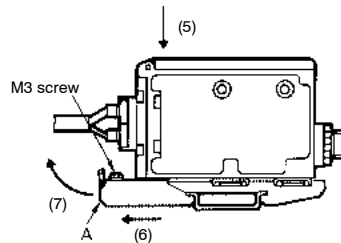
4. Press the E3MC in the direction indicated by arrow (3) and slide part A in the direction indicated by arrow (4) as shown in the following illustration until the E39-L115 correctly engages with the DIN rail.



5. Tighten the M3 screw of the E39-L115 to secure the E39-L115.

Removal

Loosen the M3 screw of the E39-L115, press the E3MC in the direction indicated by arrow (5) and slide part A in the direction indicated by arrow (6). Then lift the E3MC up in the direction indicated by arrow (7) to remove the E3MC with the E39-L115.



Precautions

■ AVOID DAMAGE TO THE E3MC

- Voltage must not exceed the rated voltage of the E3MC.
- When supplying power to the E3MC, make sure that the polarity of the power is correct.
- Do not short-circuit the load connected to the E3MC.

■ INSTALLATION

Power Up Ready

- The E3MC is ready to sense objects 100 ms after the unit is turned ON.
- The 100 ms wait is also required when the E3MC output is controlling other devices.
- If power is supplied to the E3MC and the load independently, be sure to turn ON the E3MC *first*.
- When the E3MC is turned ON or OFF, the operation indicator will be illuminated for an instant, but no control output will be turned ON.

Power Off

- The E3MC may output a single pulse when the control power supply is turned OFF. If the E3MC is connected to a timer or counter, you should supply power to the timer or counter from the same power supply as the E3MC.

Power Supplies

- Power supply must be filtered with 10% MAX ripple (see supply voltage specification).
- When a switching regulator is required, you must connect the FG (frame ground) and G (ground) terminals together, eliminating the switching noise of the regulator to avoid a malfunction.

■ WIRING

Cable

- The cable can be extended up to 100 m, allowing for a cable thickness of 0.3 mm² maximum.
- The cable must not be repeatedly bent.
- Do not pull cables with pulling forces exceeding 50 N (11.24 lb • force).

M12 Metal Connector

- When connecting or disconnecting the cable, first remove the power to the E3MC.
- To avoid damage, tighten the metal connector securely by hand. Do *not* use any tools.
- To ensure that the enclosure rating is maintained (so that water/vibration ratings are assured), the cable connector must be *securely* hand-tightened.

Avoid Damage or Malfunction Due to Induction Noise

- Never run the E3MC Color Sensor cables in the same conduit with power lines or high tension cables.

■ FURTHER INFORMATION

Correcting an EEPROM Error

- An EEPROM error may result if the power supplied to the Sensor fails, or if the Sensor is influenced by static noise. When an EEPROM error occurs, the operation and bank indicators will flash and the buzzer will beep. The remedy is to reprogram and make threshold level settings again.

NOTE: DIMENSIONS SHOWN ARE IN MILLIMETERS. To convert millimeters to inches divide by 25.4.

OMRON[®]
OMRON ELECTRONICS LLC
One East Commerce Drive
Schaumburg, IL 60173
1-800-55-OMRON

OMRON ON-LINE
Global - <http://www.omron.com>
USA - <http://www.omron.com/oei>
Canada - <http://www.omron.com/oci>

OMRON CANADA, INC.
885 Milner Avenue
Scarborough, Ontario M1B 5V8
416-286-6465