

DM74ALS04B Hex Inverter

General Description

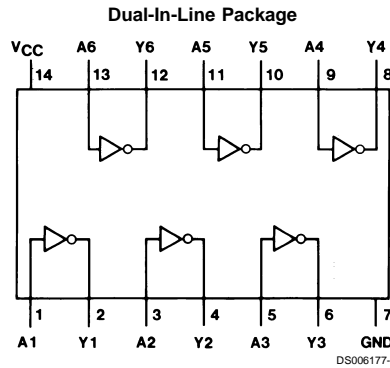
This device contains six independent gates, each of which performs the logic INVERT function.

Features

- Switching specifications at 50 pF
- Switching specifications guaranteed over full temperature and V_{CC} range

- Advanced oxide-isolated, ion-implanted Schottky TTL process
- Functionally and pin for pin compatible with Schottky and low power Schottky TTL counterpart
- Improved AC performance over Schottky and low power Schottky counterparts

Connection Diagram



Order Number DM74ALS04BM, DM74ALS04BN or DM74ALS04BSJ
See Package Number M14A, M14D or N14A

Function Table

$$Y = \bar{A}$$

| Input | Output |
|-------|--------|
| A | Y |
| L | H |
| H | L |

H = High Logic Level
L = Low Logic Level

Absolute Maximum Ratings (Note 1)

| | |
|--------------------------------------|--------------|
| Supply Voltage | 7V |
| Input Voltage | 7V |
| Operating Free Air Temperature Range | 0°C to +70°C |
| DM74ALS | |

Storage Temperature Range -65°C to +150°C

| | |
|-----------------------|-----------|
| Typical θ_{JA} | |
| N Package | 88.0°C/W |
| M Package | 118.5°C/W |

Recommended Operating Conditions

| Symbol | Parameter | DM74ALS04B | | | Units |
|----------|--------------------------------|------------|-----|------|-------|
| | | Min | Nom | Max | |
| V_{CC} | Supply Voltage | 4.5 | 5 | 5.5 | V |
| V_{IH} | High Level Input Voltage | 2 | | | V |
| V_{IL} | Low Level Input Voltage | | | 0.8 | V |
| I_{OH} | High Level Output Current | | | -0.4 | mA |
| I_{OL} | Low Level Output Current | | | 8 | mA |
| T_A | Free Air Operating Temperature | 0 | | 70 | °C |

Note 1: The "Absolute Maximum Ratings" are those values beyond which the safety of the device cannot be guaranteed. The device should not be operated at these limits. The parametric values defined in the "Electrical Characteristics" table are not guaranteed at the absolute maximum ratings. The "Recommended Operating Conditions" table will define the conditions for actual device operation.

Electrical Characteristics

over recommended operating free air temperature range. All typical values are measured at $V_{CC} = 5V$, $T_A = 25^\circ C$.

| Symbol | Parameter | Conditions | Min | Typ | Max | Units |
|----------|------------------------------------|---|--------------|------|------|---------|
| V_{IK} | Input Clamp Voltage | $V_{CC} = 4.5V$, $I_I = -18 mA$ | | | -1.2 | V |
| V_{OH} | High Level Output Voltage | $I_{OH} = -0.4 mA$ $V_{CC} = 4.5V$ to $5.5V$ | $V_{CC} - 2$ | | | V |
| V_{OL} | Low Level Output Voltage | $V_{CC} = 4.5V$ 74ALS $I_{OL} = 8 mA$ | | 0.35 | 0.5 | V |
| I_I | Input Current @ Max. Input Voltage | $V_{CC} = 5.5V$, $V_{IH} = 7V$ | | | 0.1 | mA |
| I_{IH} | High Level Input Current | $V_{CC} = 5.5V$, $V_{IH} = 2.7V$ | | | 20 | μA |
| I_{IL} | Low Level Input Current | $V_{CC} = 5.5V$, $V_{IL} = 0.4V$ | | | -0.1 | mA |
| I_O | Output Drive Current | $V_{CC} = 5.5V$ $V_O = 2.25V$ | -30 | | -112 | mA |
| I_{CC} | Supply Current | $V_{CC} = 5.5V$ | | | | |
| | | Outputs High | | 0.65 | 1.1 | mA |
| | | Outputs Low | | 2.4 | 4.2 | mA |

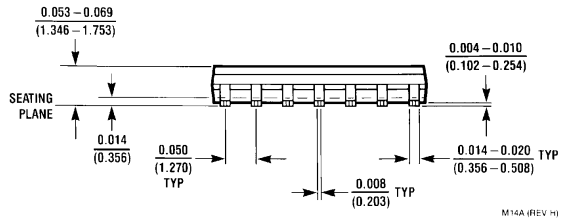
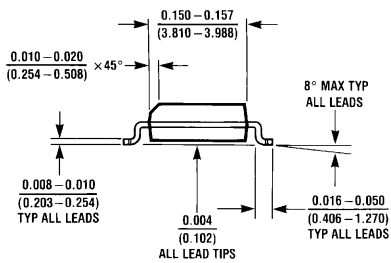
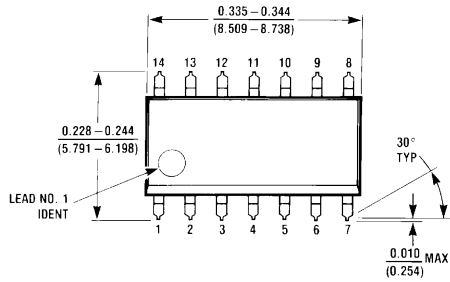
Switching Characteristics

(Note 2) over recommended operating free air temperature range

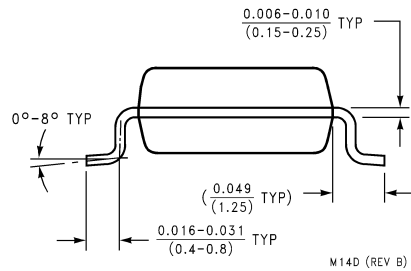
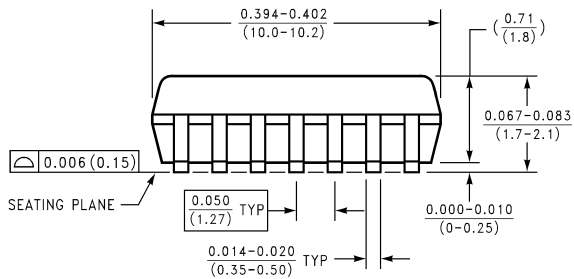
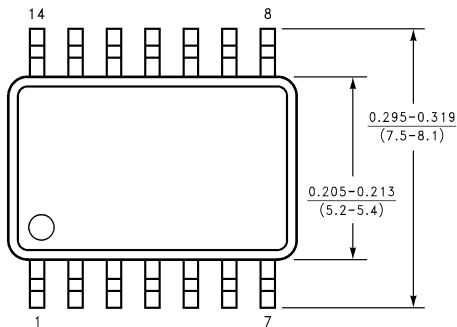
| Symbol | Parameter | Conditions | DM74ALS04B | | Units |
|-----------|--|--|------------|-----|-------|
| | | | Min | Max | |
| t_{PLH} | Propagation Delay Time Low to High Level Output | $V_{CC} = 4.5V$ to $5.5V$ $R_L = 500\Omega$ | 3 | 11 | ns |
| t_{PHL} | Propagation Delay Time High to Low Level Output | $C_L = 50 pF$ | 2 | 8 | ns |

Note 2: See Section 1 for test waveforms and output load.

Physical Dimensions inches (millimeters) unless otherwise noted

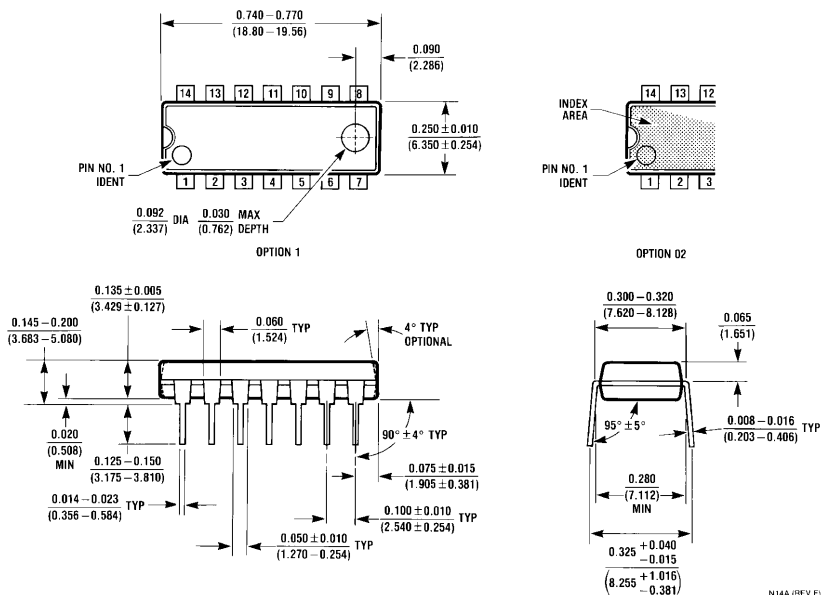


S.O. Package (M)
Order Number DM74ALS04BM
Package Number M14A



Small Outline Package (SJ)
Order Number DM74ALS04BSJ
Package Number M14D

Physical Dimensions inches (millimeters) unless otherwise noted (Continued)



Molded Dual-In-Line Package (N)
Order Number DM74ALS04BN
Package Number N14A

LIFE SUPPORT POLICY

FAIRCHILD'S PRODUCTS ARE NOT AUTHORIZED FOR USE AS CRITICAL COMPONENTS IN LIFE SUPPORT DEVICES OR SYSTEMS WITHOUT THE EXPRESS WRITTEN APPROVAL OF THE PRESIDENT OF FAIRCHILD SEMICONDUCTOR CORPORATION. As used herein:

1. Life support devices or systems are devices or systems which, (a) are intended for surgical implant into the body, or (b) support or sustain life, and (c) whose failure to perform when properly used in accordance with instructions for use provided in the labeling, can be reasonably expected to result in a significant injury to the user.
2. A critical component in any component of a life support device or system whose failure to perform can be reasonably expected to cause the failure of the life support device or system, or to affect its safety or effectiveness.

Fairchild Semiconductor Corporation Americas
 Customer Response Center
 Tel: 1-888-522-5372

Fairchild Semiconductor Europe
 Fax: +49 (0) 1 80-530 85 86
 Email: europe.support@nsc.com
 Deutsch Tel: +49 (0) 8 141-35-0
 English Tel: +44 (0) 1 793-85-68-56
 Italy Tel: +39 (0) 2 57 5631

Fairchild Semiconductor Hong Kong Ltd.
 13th Floor, Straight Block,
 Ocean Centre, 5 Canton Rd.
 Tsimshatsui, Kowloon
 Hong Kong
 Tel: +862 2737-7200
 Fax: +852 2314-0061

National Semiconductor Japan Ltd.
 Tel: 81-3-5620-6175
 Fax: 81-3-5620-6179

www.fairchildsemi.com