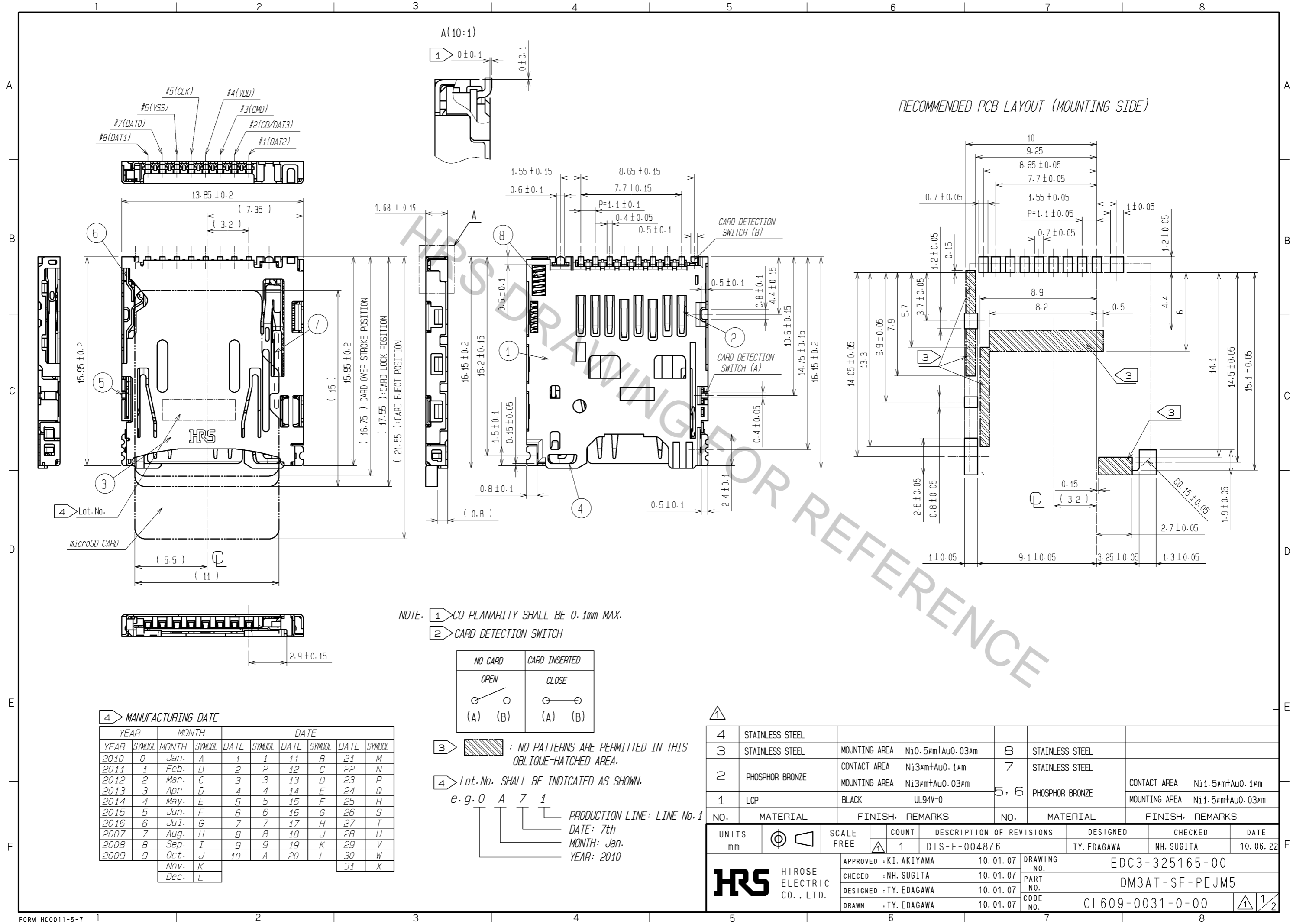


Jul.1.2017 Copyright 2017 HIROSE ELECTRIC CO., LTD. All Rights Reserved.



4 MANUFACTURING DATE

YEAR	MONTH	DATE	YEAR	MONTH	DATE	YEAR	MONTH	DATE	YEAR	MONTH	DATE
2010	0	Jan.	A	1	1	11	B	21	M		
2011	1	Feb.	B	2	2	12	C	22	N		
2012	2	Mar.	C	3	3	13	D	23	P		
2013	3	Apr.	D	4	4	14	E	24	Q		
2014	4	May.	E	5	5	15	F	25	R		
2015	5	Jun.	F	6	6	16	G	26	S		
2016	6	Jul.	G	7	7	17	H	27	T		
2007	7	Aug.	H	8	8	18	J	28	U		
2008	8	Sep.	I	9	9	19	K	29	V		
2009	9	Oct.	J	10	A	20	L	30	W		
		Nov.	K					31	X		
		Dec.	L								

NO CARD		CARD INSERTED	
OPEN		CLOSE	
(A)	(B)	(A)	(B)

3 : NO PATTERNS ARE PERMITTED IN THIS OBLIQUE-HATCHED AREA.

4 Lot.No. SHALL BE INDICATED AS SHOWN.  
e.g. 0 A 7 1

PRODUCTION LINE: LINE No. 1  
DATE: 7th  
MONTH: Jan.  
YEAR: 2010

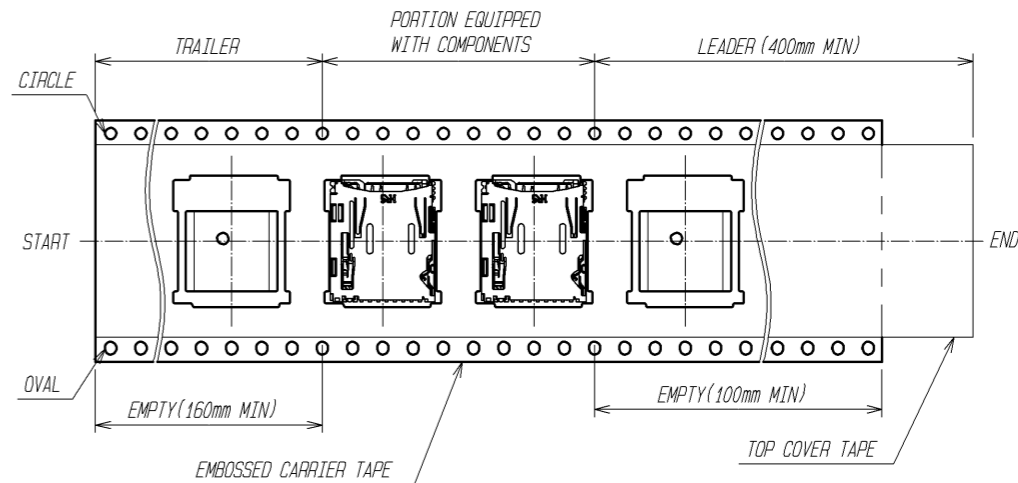
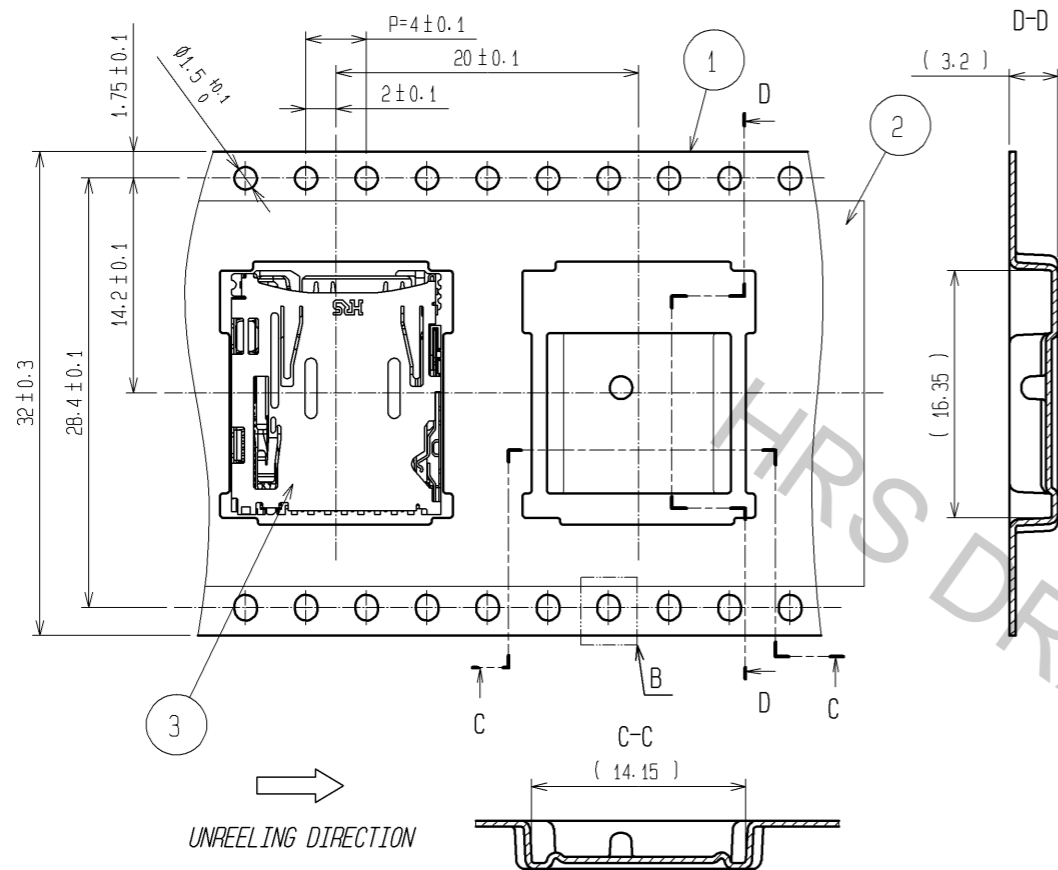
NO.	MATERIAL	FINISH	REMARKS	NO.	MATERIAL	FINISH	REMARKS
4	STAINLESS STEEL						
3	STAINLESS STEEL		MOUNTING AREA Ni0.5#m+Au0.03#m	8	STAINLESS STEEL		
2	PHOSPHOR BRONZE		CONTACT AREA Ni3#m+Au0.1#m	7	STAINLESS STEEL		
1	LCP	BLACK	UL94V-0	5, 6	PHOSPHOR BRONZE		CONTACT AREA Ni1.5#m+Au0.1#m
							MOUNTING AREA Ni1.5#m+Au0.03#m

UNITS	SCALE	COUNT	DESCRIPTION OF REVISIONS	DESIGNED	CHECKED	DATE
mm	FREE	1	DIS-F-004876	TY. EDAGAWA	NH. SUGITA	10.06.22

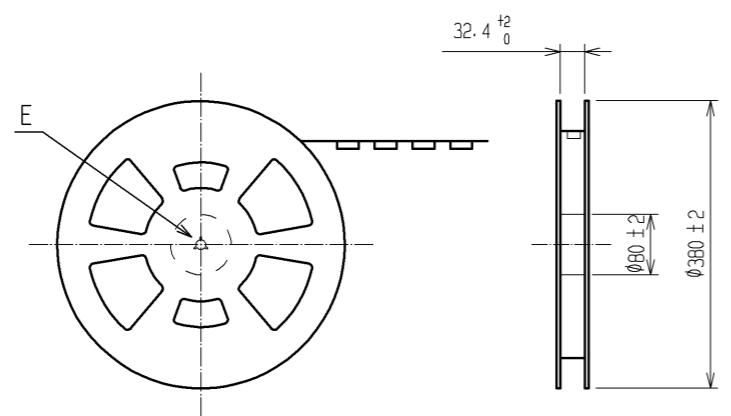
APPROVED	CHECKED	DESIGNED	DRAWN	DRAWING NO.	PART NO.	CODE NO.
KI. AKIYAMA	NH. SUGITA	TY. EDAGAWA	TY. EDAGAWA	EDC3-325165-00	DM3AT-SF-PEJM5	CL609-0031-0-00
10.01.07	10.01.07	10.01.07	10.01.07			

Jul.1.2017 Copyright 2017 HIROSE ELECTRIC CO., LTD. All Rights Reserved.

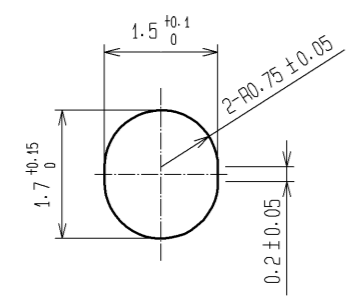
5 DRAWING FOR PACKING



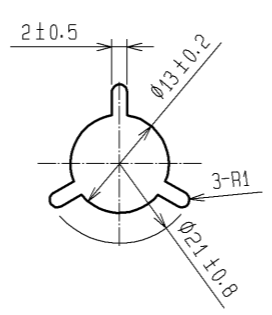
DETAIL OF REEL (1:10)



B(10:1)



E(1:1)



NOTE. 5 PACKING TYPE: TAPE AND REEL. 1500PCS PER REEL.  
 6 PLEASE REFER TO TECHNICAL SPECIFICATION : ETAD-F0345  
 \*DM3AT SERIES PRODUCT INFORMATION AND HANDLING INSTRUCTIONS\*  
 FOR THE HANDLING OF THE PRODUCT.

3	(CONNECTORS)	
2	POLYESTER	
1	PS	
NO.	MATERIAL	FINISH, REMARKS

UNITS mm		SCALE 2 : 1	COUNT 1	DESCRIPTION OF REVISIONS DIS-F-004876	DESIGNED TY. EDAGAWA	CHECKED NH. SUGITA	DATE 10.06.22
<b>HRS</b> HIROSE ELECTRIC CO., LTD.		APPROVED : KI. AKIYAMA	10.01.07	DRAWING NO.	EDC3-325165-00		
		CHECED : NH. SUGITA	10.01.07	PART NO.	DM3AT-SF-PEJM5		
		DESIGNED : TY. EDAGAWA	10.01.07	CODE NO.	CL609-0031-0-00		
		DRAWN : TY. EDAGAWA	10.01.07		1/2		