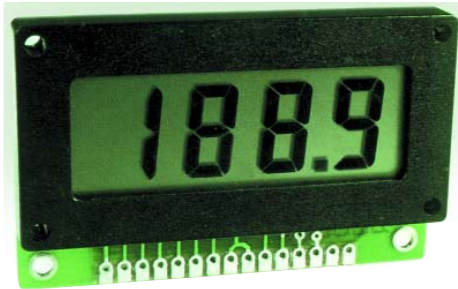


# LCD DIGITAL PANEL METERS

Flat Pack 3½ Digit LCD Display



With solder pad connections or inline pins (Actual size)

## Features:

- Low-cost
- Ultra compact flat design
- Less than .25" deep
- 3½ digits with high-contrast LCD Display

## Specifications:

<b>Display:</b>	
Digits:	3½ digits (±1999 counts)
Type:	0.5" (13mm) 7 segment reflective LCD
Polarity:	Automatic, "-" displayed
Annunciators:	"LoBat" when power <7.2 VDC
Decimal Points:	3 position, user selectable
Overload:	Three lower order digits blank for inputs >1999
<b>Inputs:</b>	
Ranges:	±200.0mV, ±2.000V, ±20.00V DC
Configuration:	True differential input and reference
Protection:	250V DC OR 150 V RMS continuous, 300V intermittent max
Impedance:	>100 Megohm on ± 200mV ; (>1 Megohm on 2V & 20V range)
Bias Current:	1 pA typical, 10 pA max
<b>Performance:</b>	
Accuracy:	±(0.1% fs + 2 count) with +5 and ± 5V power ±(0.1% rgd + 1 count) with 9V power
Conversion Rate:	2.5 per second
Normal Mode Rejection:	
Common Mode Range:	±1V DC max
Common Mode Rej.:	>86 dB
Zero Adjustment:	Automatic
<b>Warmup:</b>	
Temperature Coeff.:	± 100 ppm per °C typical
<b>Environment:</b>	
Operating Range:	0 to 50 °C
Storage Range:	-20 to 70 °C
<b>Power Supply:</b>	
9V powered:	9V isolated, 7.2-12V at 150µA typical
+5V and -5V DC:	± 5V ±5% at 150 µA typical
+5V DC:	5V ±5% at 3 mA typical
<b>Mounting:</b>	
	Panel Hole Mounting Standard
	Bezel mount optional
<b>Connection:</b>	
DK171,172,173	15 solder pads
DK174 - 179	13 pins 0.025" square - pin 3 missing

## Ordering Information:

### Flat Pack LCD DPM Part Numbering

#### Standard Mount:

<b>DK171</b>	.....	.200 mV, 9V Battery, 15 pads
<b>DK172</b>	.....	.2 V, 9V Battery, 15 pads
<b>DK173</b>	.....	.20 V, 9V Battery, 15 pads
<b>DK174</b>	.....	.200 mV, 9V Battery, 13-pins
<b>DK175</b>	.....	.2 V, 9V Battery, 13-pins
<b>DK176</b>	.....	.20 V, 9V Battery, 13-pins
<b>DK177</b>	.....	.200 mV, 5V, 13-pins
<b>DK178</b>	.....	.2 V, 5V, 13-pins
<b>DK179</b>	.....	.20 V, 5V, 13-pins

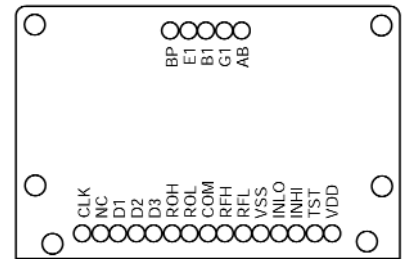
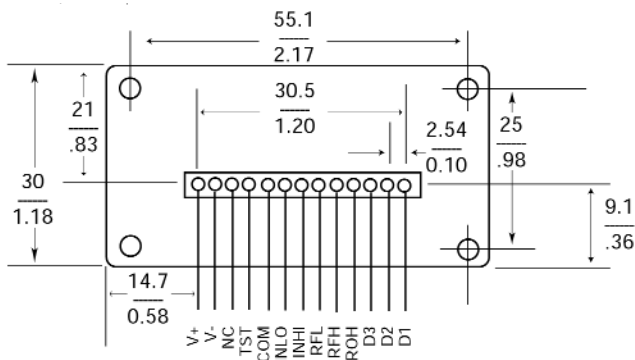
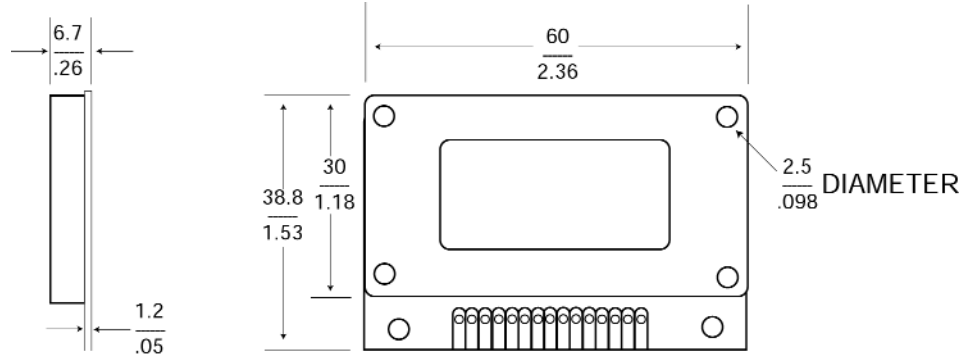
<b>J1C13</b>	.....	13 Pin Connector / Wire Assembly
<b>PW2-5</b>	.....	Regulated 120V AC to 5V DC Adaptor
<b>PW2-12</b>	.....	Regulated 120V AC to 12V DC Adaptor
<b>PW2-24</b>	.....	Regulated 120V AC to 24V DC Adaptor



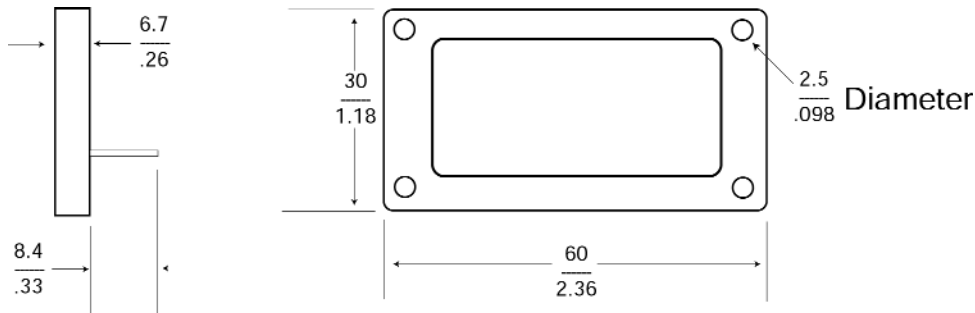
C-TON Industries • PO Box 10129 • Bedford, NH, 03110 • USA

# Dimensions

NOTE:  
DIM. =  $\left(\frac{\text{mm}}{\text{inches}}\right)$



NOTE: DO NOT SOLDER TO PINS



## BEZEL MOUNTING

