

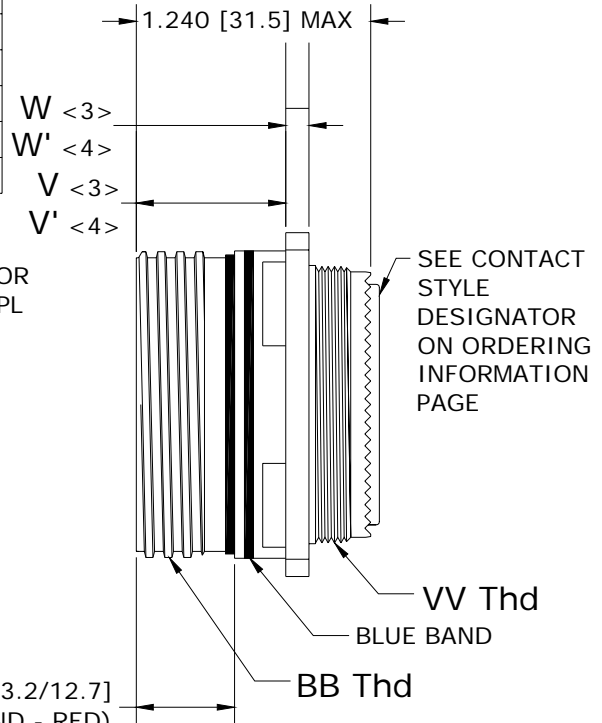
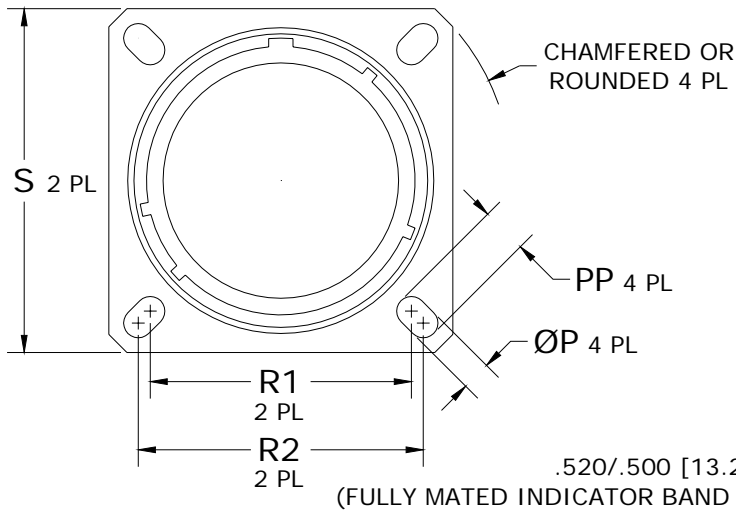
**D38999/20**

**MIL-DTL-38999**

Square Flange Wall Mount Environment Resistant Receptacle

Series III – Threaded Coupling

SHELL SIZE	SHELL SIZE CODE	W	W'	VV Thd -6g 0.100R
9	A	.098/.083 [2.5/2.1]	.144/.083 [3.65/2.10]	M12 x 1.0
11	B	.098/.083 [2.5/2.1]	.144/.083 [3.65/2.10]	M15 x 1.0
13	C	.098/.083 [2.5/2.1]	.144/.083 [3.65/2.10]	M18 x 1.0
15	D	.098/.083 [2.5/2.1]	.144/.083 [3.65/2.10]	M22 x 1.0
17	E	.098/.083 [2.5/2.1]	.144/.083 [3.65/2.10]	M25 x 1.0
19	F	.098/.083 [2.5/2.1]	.144/.083 [3.65/2.10]	M28 x 1.0
21	G	.126/.083 [3.2/2.1]	.171/.083 [4.35/2.10]	M31 x 1.0
23	H	.126/.083 [3.2/2.1]	.171/.083 [4.35/2.10]	M34 x 1.0
25	J	.126/.083 [3.2/2.1]	.171/.083 [4.35/2.10]	M37 x 1.0



SHELL SIZE	SHELL SIZE CODE	BB Thd CLASS 2A 0.1P-0.3L-TS	ØP ±.008 [±0.20]	PP ±.008 [±0.20]	R1 <1>	R2 <2>	S ±.012 [±0.3]	V +.000/- .049 [+0.00/-1.25]	V' +.055/- .000 [+1.4/-0.0]
9	A	.6250	.128 [3.25]	.216 [5.49]	.719 [18.26]	.594 [15.09]	.938 [23.8]	.820 [20.83]	.768 [19.5]
11	B	.7500	.128 [3.25]	.194 [4.93]	.812 [20.62]	.719 [18.26]	1.031 [26.2]	.820 [20.83]	.768 [19.5]
13	C	.8750	.128 [3.25]	.194 [4.93]	.906 [23.01]	.812 [20.62]	1.125 [28.6]	.820 [20.83]	.768 [19.5]
15	D	1.0000	.128 [3.25]	.194 [4.93]	.969 [24.61]	.906 [23.01]	1.219 [31.0]	.820 [20.83]	.768 [19.5]
17	E	1.1875	.128 [3.25]	.194 [4.93]	1.062 [26.97]	.969 [24.61]	1.312 [33.3]	.820 [20.83]	.768 [19.5]
19	F	1.2500	.128 [3.25]	.194 [4.93]	1.156 [29.36]	1.062 [26.97]	1.438 [36.5]	.820 [20.83]	.768 [19.5]
21	G	1.3750	.128 [3.25]	.194 [4.93]	1.250 [31.75]	1.156 [29.36]	1.562 [39.7]	.790 [20.07]	.736 [18.7]
23	H	1.5000	.154 [3.91]	.242 [6.15]	1.375 [34.93]	1.250 [31.75]	1.688 [42.9]	.790 [20.07]	.736 [18.7]
25	J	1.6250	.154 [3.91]	.242 [6.15]	1.500 [38.10]	1.375 [34.93]	1.812 [46.0]	.790 [20.07]	.736 [18.7]

- <1> = FRONT OR REAR PANEL MOUNTING
- <2> = REAR PANEL MOUNTING ONLY
- <3> = FOR CLASS F, G, K, S, & W
- <4> = FOR CLASS J & M

DIMENSIONS ARE IN INCHES [MILLIMETERS]