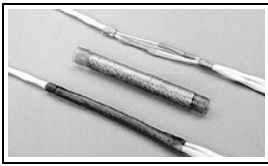


What can we help you find?

D-150-0175 Product Details

[Share](#)
[Print](#)
[Email](#)



D-150-0175

TE Internal Number: 727844-000
 Active

SolderShield Cable Splices

Not EU RoHS or ELV Compliant

Product Highlights:

- Splice
- Splice Type = SolderShield
- Cable Type = Multi-conductor
- Number of Conductors = Two-conductor cable
- Wire Range = 0.80-1.40² [18-16] mm [AWG]

[View all Features](#)

Quick Links

- ▶ [Pricing & Availability](#)
- ▶ [Search for Tooling](#)
- ▶ [Product Feature Selector](#)
- ▶ [Contact Us About This Product](#)

[Add to My Part List](#)
[Request Sample](#)
[Find Similar Products](#)
[Buy Product](#)

Documentation & Additional Information

Product Drawings:

- [1 to 1 Splices-Crimp SolderShield Splice Kit, Shield...](#) (PDF, English)

Catalog Pages/Data Sheets:

- None Available

Product Specifications:

- None Available

Application Specifications:

- None Available

Instruction Sheets:

- None Available

CAD Files:

- None Available

[List all Documents](#)

Additional Product Images:

- [Product View](#)

Related Products:

- [Tooling](#)

Product Features (Please use the Product Drawing for all design activity)

Product Type Features:

- Product Type = Splice
- Splice Type = SolderShield
- Cable Type = Multi-conductor

Termination Features:

- Connection Type = Crimp, Solder

Body Features:

- Wire Range (mm [AWG]) = 0.80-1.40² [18-16]
- Conductor Plating = Tin/Silver
- Jacket Outer Diameter (mm [in]) = 5.00 [0.197]

Configuration Features:

- Number of Conductors = Two-conductor cable

Industry Standards:

- [RoHS/ELV Compliance](#) = Not ELV/RoHS compliant
- [Lead Free Solder Processes](#) = Not relevant for lead free process

Environmental:

- Operating Temperature (Max.) (°C) = 150

Operation/Application:

- Application Type = Cable to Cable Splicing

Other:

- Brand = Raychem

Corporate Information

- [About TE](#)
- [Investors](#)
- [News Room](#)
- [Supplier Portal](#)
- [Careers](#)
- [Terms & Conditions](#)
- [Privacy Policy](#)

Quick Links

- [Distributor Inventory](#)
- [Product Cross Reference](#)
- [Documents & Drawings](#)
- [Product Compliance Support Center](#)
- [Site Map](#)

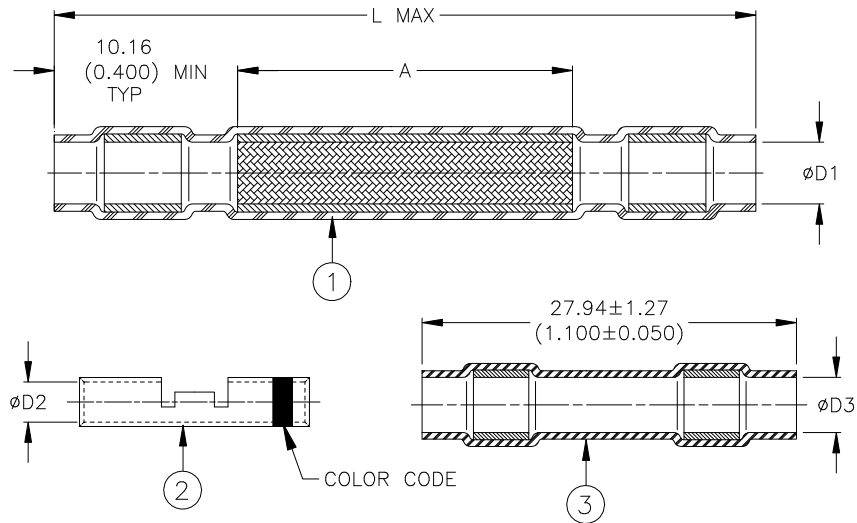
Customer Support

- [Email or Chat With Us](#)
- [Find a Phone Number](#)
- [Knowledge Base](#)
- [Manage Your Account](#)

Keep Me Informed



CUSTOMER DRAWING



Part Names	Primary No.	AWG Range	Color Code	Product Dimensions				
				L Max	A±2.54 (0.100)	ØD1 Min	ØD2 Min	ØD3 Min
D-150-0168	1	26-20	Red	80.52 (3.170)	50.30 (1.970)	3.00 (0.118)	1.14 (0.045)	2.79 (0.110)
D-150-0169	1	20-16	Blue	80.52 (3.170)	50.30 (1.970)	4.00 (0.157)	1.63 (0.064)	4.00 (0.157)
D-150-0170	1	16-12	Yellow	80.52 (3.170)	50.30 (1.970)	5.00 (0.197)	2.46 (0.097)	4.32 (0.170)
D-150-0174	2	26-20	Red	105.92 (4.170)	74.93 (2.950)	4.00 (0.157)	1.14 (0.045)	2.16 (0.085)
D-150-0175	2	18-16	Blue	105.92 (4.170)	74.93 (2.950)	5.00 (0.197)	1.63 (0.064)	2.79 (0.110)
D-150-0176	2	14	Yellow	105.92 (4.170)	74.93 (2.950)	6.00 (0.236)	2.46 (0.097)	4.32 (0.170)
D-150-0177	2	12	Yellow	105.92 (4.170)	74.93 (2.950)	9.04 (0.356)	2.46 (0.097)	4.32 (0.170)
D-150-0178	3/4	26-20	Red	105.92 (4.170)	74.93 (2.950)	4.00 (0.157)	1.14 (0.045)	2.16 (0.085)
D-150-0179	3/4	22-20	Red	105.92 (4.170)	74.93 (2.950)	5.00 (0.197)	1.14 (0.045)	2.16 (0.085)
D-150-0180	3/4	18-16	Blue	105.92 (4.170)	74.93 (2.950)	6.00 (0.236)	1.63 (0.064)	2.79 (0.110)
D-150-0181	3/4	14-12	Yellow	105.92 (4.170)	74.93 (2.950)	9.04 (0.356)	2.46 (0.097)	4.32 (0.170)

MATERIALS

- SOLDERSHIELD SPLICE SLEEVE:** Heat-shrinkable, radiation cross-linked modified polyvinylidene fluoride sleeve, containing two environment resistant sealing rings and a solder impregnated, flux-coated copper-wire braid.
Color: Transparent blue.
SOLDER: TYPE Sn63 per ANSI J-STD-006.
FLUX: TYPE ROM1 per ANSI J-STD-004.
- CRIMP SPLICE (1, 2, OR 4 PER KIT):** Tin-plated copper alloy with color code stripe.
- SEALING SPLICE SLEEVE (1, 2, OR 4 PER KIT):** Heat-shrinkable, radiation cross-linked modified polyvinylidene fluoride sleeve, containing two environment resistant sealing rings. Transparent blue.

APPLICATION

- These kits are designed to make an environment-resistant, 1 to 1 in-line splice in shielded single, twisted pair, trio and quad cables having tin or silver-plated conductors and insulations rated for 135°C minimum.
- Temperature rating: -55°C to +150°C.
- For installation procedures refer to the applicable sections of TE Connectivity Process Standard RCPS 150-02.

			TITLE: (1 TO 1 SPLICES-CRIMP) SOLDERSHIELD SPLICE KIT, SHIELDED CABLE		
			DOCUMENT NO.: D-150-0168-0170/0174-0181		
Unless otherwise specified dimensions are in millimeters. [Inches dimensions are shown in brackets] DIMENSIONING AND TOLERANCING PER ASME Y14.5-2009		Raychem Devices	REV:	DATE:	
TOLERANCES: 0.00 N/A 0.0 N/A 0 N/A	ANGLES: N/A ROUGHNESS IN MICRON		Tyco Electronics reserves the right to amend this drawing at any time. Users should evaluate the suitability of the product for their application.	K	June 20, 2013
PREPARED BY:	CAGE CODE:	ECO NUMBER:	SCALE:	SIZE:	SHEET:
RODRIGUEZ	06090	ECO-13-010150	NTS	A	1 of 1

© 2000-2013 Tyco Electronics Corporation. All rights reserved.

If this document is printed it becomes uncontrolled. Check for the latest revision.