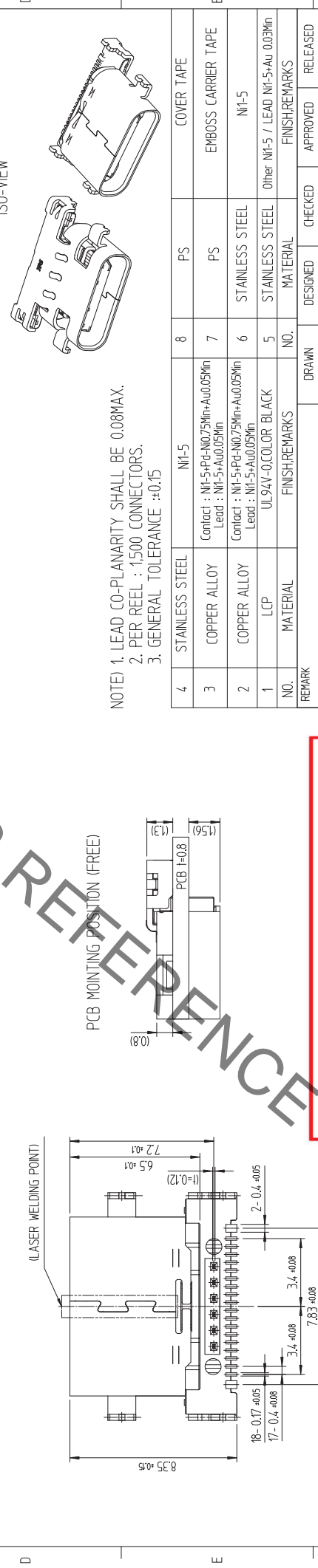
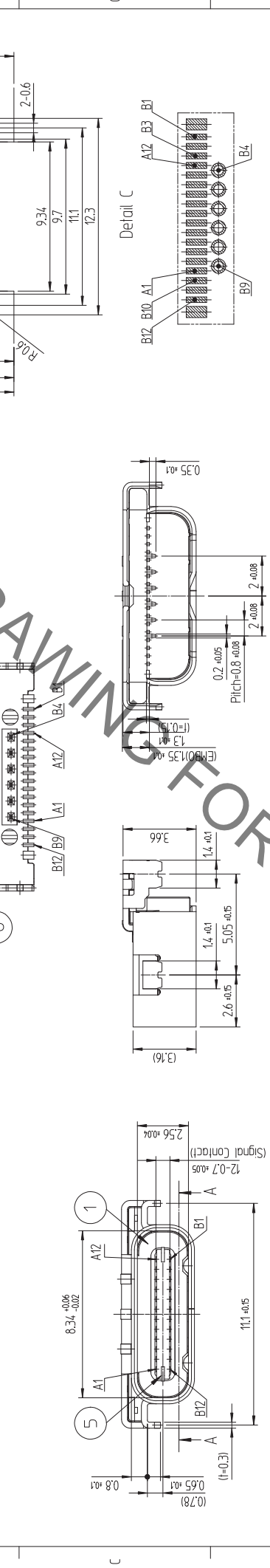
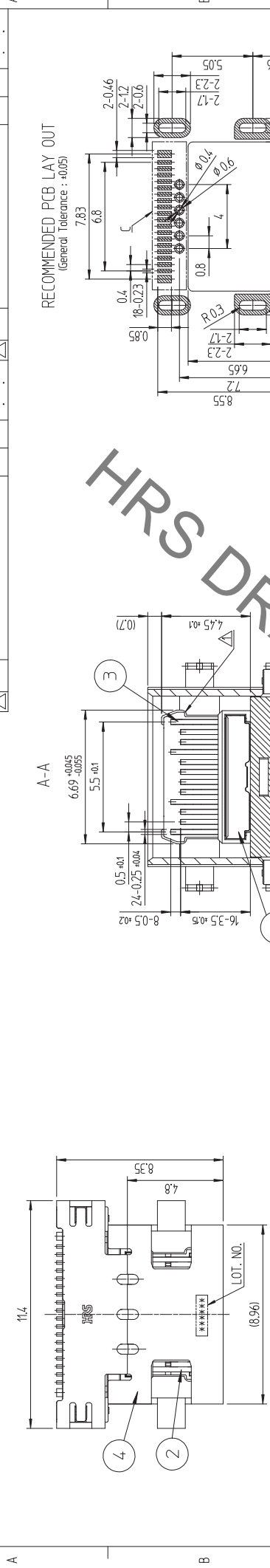
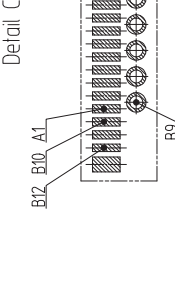
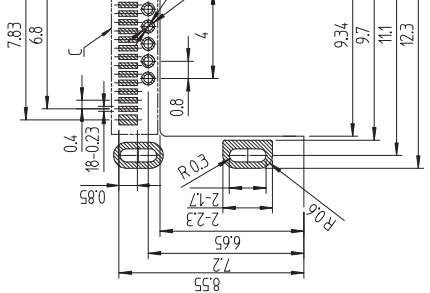


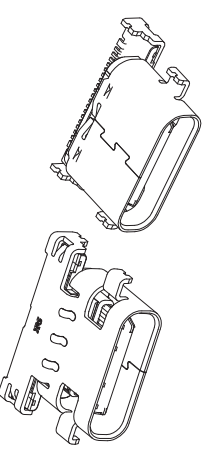
A	B	C	D	E	F	DESCRIPTION OF REVISIONS		REVISIONS		DATE		DATE	
						COUNT	BY (CHKD)	BY (CHKD)	DATE	BY (CHKD)	DATE	BY (CHKD)	DATE
△	△	△	△	△	△	1	[RE-2-0831]	LCE	LH	15. 12. 10	△	△	△



RECOMMENDED PCB LAY OUT
 (General Tolerance : ±0.05)



ISO-VIEW



NOTE 1. LEAD CO-PLANARITY SHALL BE 0.08MAX.
 2. PER REEL : 1500 CONNECTORS.
 3. GENERAL TOLERANCE : ±0.15

NO.	MATERIAL	FINISHREMARKS	NO.	MATERIAL	FINISHREMARKS
4	STAINLESS STEEL	NI-5	8	PS	COVER TAPE
3	COPPER ALLOY	Contact : Ni-5+Pd-Ni0.75%+Au0.05% Lead : Ni-5+Au0.05%Min	7	PS	EMBOSS CARRIER TAPE
2	COPPER ALLOY	Contact : Ni-5+Pd-Ni0.75%+Au0.05% Lead : Ni-5+Au0.05%Min	6	STAINLESS STEEL	NI-5
1	LCP	UL94V-0.COLOR BLACK	5	STAINLESS STEEL	Other NI-5 / LEAD NI-5+Au 0.05%Min

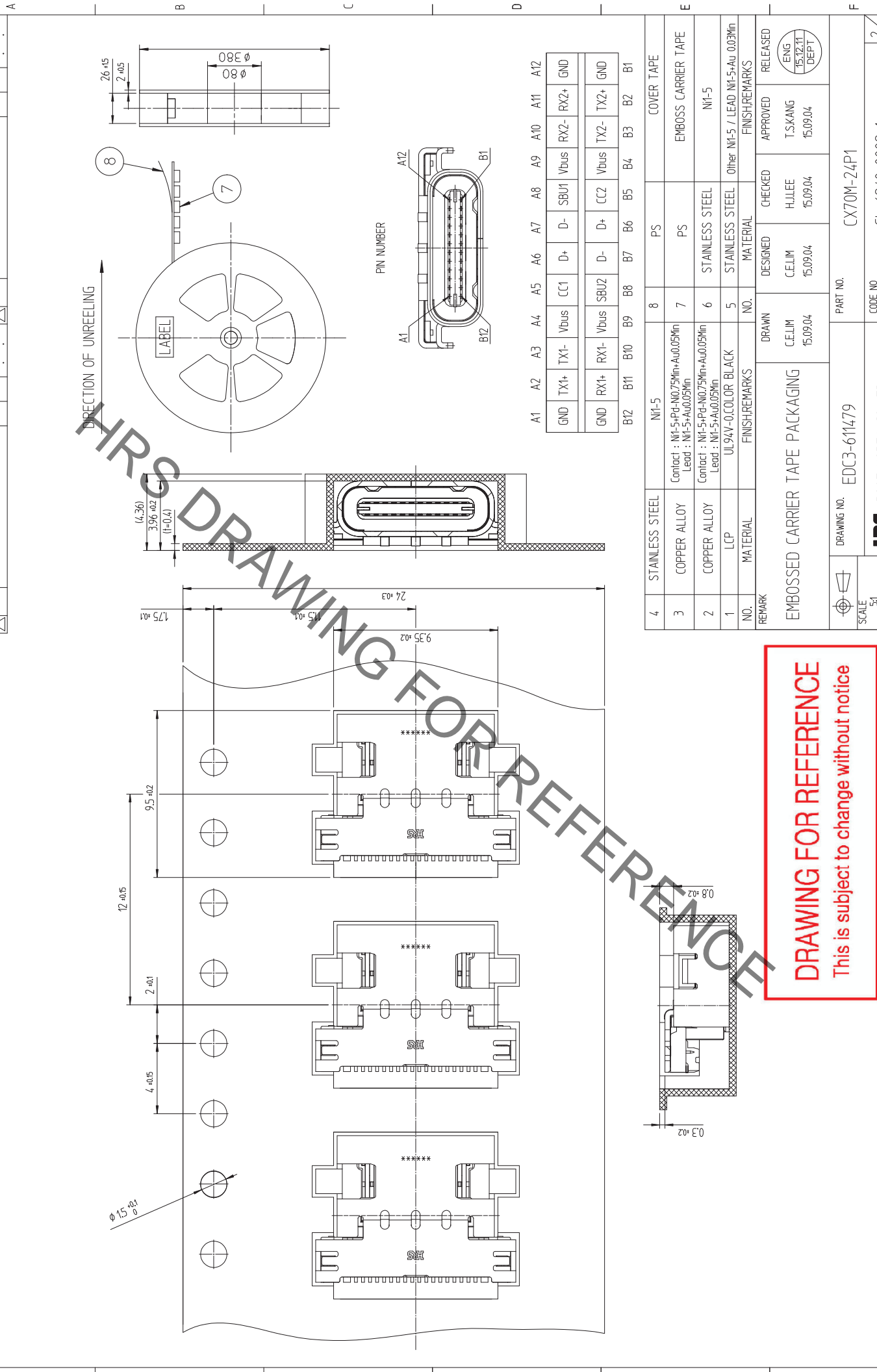
DESIGNED	CHECKED	APPROVED	RELEASED
CELIM 15.09.04	H.J.LEE 15.09.04	T.S.KANG 15.09.04	ENG 15.12.11 DEPT

DRAWING NO. EDC3-611479	PART NO. CX70M-24P1
SCALE 1/50	CODE NO. CL 6240-0002-1
UNITS mm	

DRAWING FOR REFERENCE
 This is subject to change without notice

REV.	DESCRIPTION OF REVISIONS	BY (CHKD)	DATE	COUNT	DISCUSSION OF REVISIONS	BY (CHKD)	DATE
△			.. .	△			.. .
△			.. .	△			.. .
△			.. .	△			.. .
△			.. .	△			.. .
△			.. .	△			.. .
		

REV.	DESCRIPTION OF REVISIONS	BY (CHKD)	DATE	COUNT	DISCUSSION OF REVISIONS	BY (CHKD)	DATE
△			.. .	△			.. .
△			.. .	△			.. .
△			.. .	△			.. .
△			.. .	△			.. .
△			.. .	△			.. .
△			.. .	△			.. .



A1	A2	A3	A4	A5	A6	A7	A8	A9	A10	A11	A12
GND	TX1+	TX1-	Vbus	CC1	D+	D-	SBU1	Vbus	RX2-	RX2+	GND
GND	RX1+	RX1-	Vbus	SBU2	D-	D+	CC2	Vbus	TX2-	TX2+	GND

NO.	MATERIAL	FINISH/REMARKS	NO.	DRAWN	DESIGNED	CHECKED	APPROVED	RELEASED	COVER TAPE	
									MATERIAL	FINISH/REMARKS
4	STAINLESS STEEL	Ni-5	8	PS					STAINLESS STEEL	
3	COPPER ALLOY	Contact : Ni-5+Pd-Ni0.75Min+Au0.05Min Lead : Ni-5+Au0.05Min	7						EMBOSS CARRIER TAPE	
2	COPPER ALLOY	Contact : Ni-5+Pd-Ni0.75Min+Au0.05Min Lead : Ni-5+Au0.05Min	6	CELJIM	CELJIM	HJLEE	T.SKANG	ENG	Ni-5	
1	LCP	UL94V-0 COLOR BLACK	5	CELJIM	CELJIM	HJLEE	T.SKANG	15.12.11	Other Ni-5 / LEAD Ni-5+Au 0.03mm	
NO.	MATERIAL	FINISH/REMARKS	NO.	DRAWN	DESIGNED	CHECKED	APPROVED	RELEASED	FINISH/REMARKS	

DRAWING FOR REFERENCE
This is subject to change without notice

DRAWING NO.	PART NO.	CODE NO.
EDC3-611479	CX70M-24P1	CL 6240-0002-1