

CG Series Single Pole Power Rocker Switches

Features/Benefits

- Bevelled frame
- Illuminated versions available
- Easy panel mount installation

Typical Applications

- Computers and peripherals
- Small appliances
- Instrument panels
- Industrial controls
- RoHS compliant



Specifications

CONTACT RATING:
 UL/CSA: 16 AMPS @ 125 VAC, 10 AMPS @ 250 VAC.
 VDE μ T85: 10 AMPS @ 250 VAC, 6 AMPS @ 250 VAC.
 ELECTRICAL LIFE: 10,000 make and break cycles at full load.
 INSULATION RESISTANCE: $10^8 \Omega$ min.
 DIELECTRIC STRENGTH: 1,500 VRMS @ sea level.
 OPERATING TEMPERATURE: -20°C to +85°C

Materials

HOUSING AND ACTUATOR: 6/6 nylon (UL94V-2), black, matte finish.
 ILLUMINATED ACTUATOR: Polycarbonate, matte finish.
 CENTER CONTACTS: Silver plated, copper alloy.
 END CONTACTS: Silver plated.
 ALL TERMINALS: Silver plated, copper alloy.

NOTE: Specifications and materials listed above are for switches with standard options. For information on specific and custom switches, consult Customer Service Center.

Build-A-Switch

To order, simply select desired option from each category and place in the appropriate box. Available options are shown and described on pages G-87 through G-89. For additional options not shown in catalog, consult Customer Service Center.

<p>Switch Function</p> <p>CG101 SPDT On-None-On CG102 SPST On-None-Off CG103 SPDT On-Off-On CG105 SPDT Mom-Off-Mom CG12 * SPST On-None-Off</p> <p>Actuator</p> <p>J1 Rocker J2 **Two-tone rocker J3 Illuminated rocker</p> <p>Actuator Color</p> <p>2 Black 1 White 3 Red R Red, illuminated A Amber, illuminated G Green, illuminated</p> <p>Mounting Style/Color</p> <p>S2 Snap-in, black S1 Snap-in, white</p> <p>Termination</p> <p>05 .250" quick connect 07 Solder lug</p> <p>Actuator Marking</p> <p>(NONE) No marking D ON-OFF H "O I" - international ON-OFF P "O -" international ON-OFF</p> <p>Contact Rating</p> <p>QF Silver</p> <p>Lamp Rating</p> <p>(NONE) No lamp 7 125 VAC neon 8 250 VAC neon</p>	
--	--

* CG12 — for switches with both marking and illumination

** J2 — refer to table on page G-88 for actuator options

Rocker



G

C&K



Dimensions are shown: Inches (mm)

Specifications and dimensions subject to change

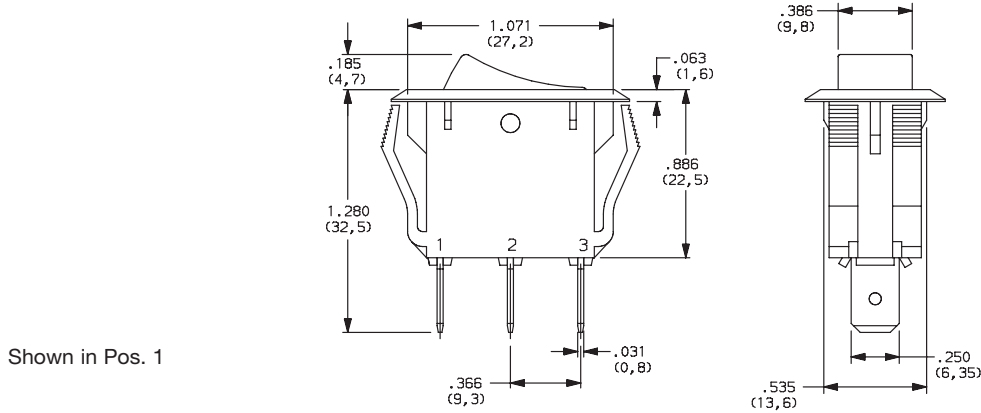
CG Series Single Pole Power Rocker Switches

SWITCH FUNCTION



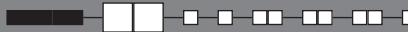
NO. POLES	MODEL NO.	SWITCH FUNCTION			CONNECTED TERMINALS			SCHEMATIC
		Pos. 1	Pos. 2	Pos. 3	Pos. 1	Pos. 2	Pos. 3	
		C&K marking on opposite side			C&K marking on opposite side			
SP	CG101	ON	NONE	ON	1-2		2-3	
	CG102	ON	NONE	OFF	1-2	N/A	OPEN	
	CG103	ON	OFF	ON	1-2	OPEN	2-3	
	CG105	MOM	OFF	MOM	1-2	OPEN	2-3	
	CG12 *	ON	NONE	OFF	1-2	N/A	OPEN	

* CG12 - for switches with both marking and illumination

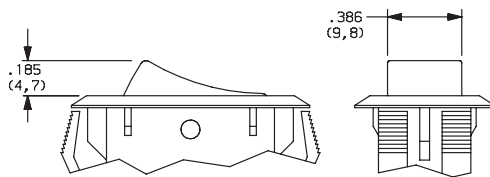


Shown in Pos. 1

ACTUATOR

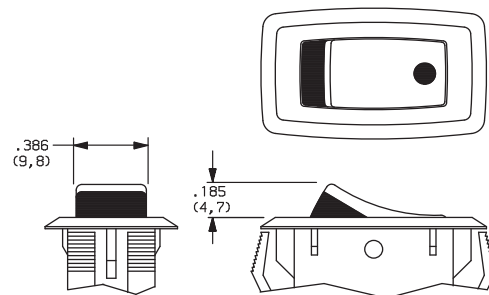


- J1** ROCKER
- J3** ILLUMINATED ROCKER



NOTE: J3 actuator available with CG102 switch function only.

- J2** TWO-TONE ROCKER



NOTE: Available with CG102 switch function only.



Third Angle
Projection

Dimensions are shown: Inches (mm)
Specifications and dimensions subject to change



CG Series Single Pole Power Rocker Switches

ACTUATOR COLOR



ACTUATOR	OPTION CODE	ACTUATOR COLOR
J1	2	BLACK
	1	WHITE
	3	RED
J3	R	RED, ILLUMINATED
	A	AMBER, ILLUMINATED
	G	GREEN, ILLUMINATED

OPTION CODE	ACTUATOR COLOR	
	TOP	BOTTOM
1	WHITE	RED
2	WHITE	BLACK
3	RED	WHITE
4	BLACK	WHITE
5	BLACK	RED

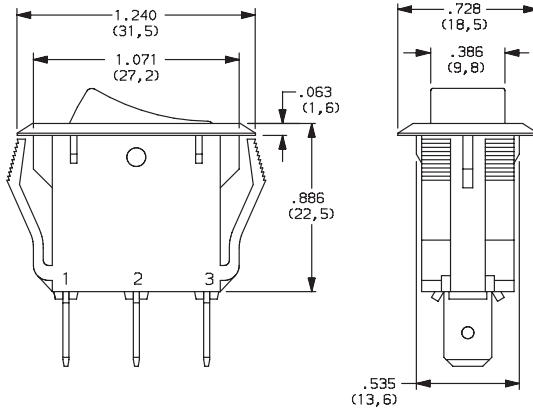
J2 actuator only

MOUNTING STYLE/COLOR



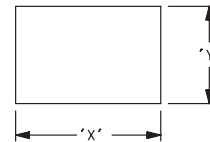
S2 SNAP-IN, BLACK

S1 SNAP-IN, WHITE



Shown in Pos. 1

PANEL MOUNTING



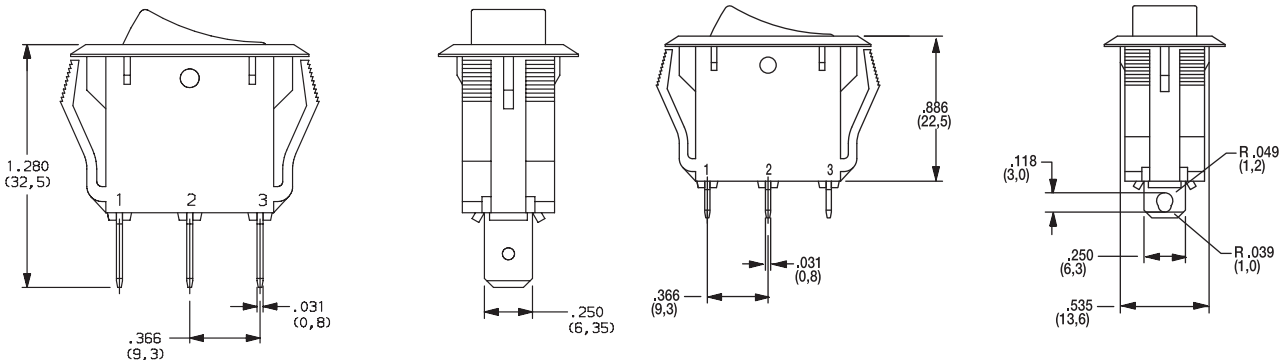
PANEL THICKNESS	"X"	"Y"
0.030-0.049 (0,75-1,25)	1.087-.004 (27,6-0,1)	0.543+.004 (13,8+0,1)
0.049-0.079 (1,25-2,0)	1.094-.004 (27,8-0,1)	0.543+.004 (13,8+0,1)
0.079-0.118 (2,0-3,0)	1.102-.004 (28,0-0,1)	0.543+.004 (13,8+0,1)

TERMINATION



05 .250" QUICK CONNECT

07 SOLDER LUG



Shown in Pos. 1

Rocker



Third Angle Projection

Dimensions are shown: Inches (mm)
Specifications and dimensions subject to change



G

C&K

CG Series Single Pole Power Rocker Switches

ACTUATOR MARKING



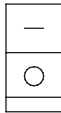
NONE NO MARKING



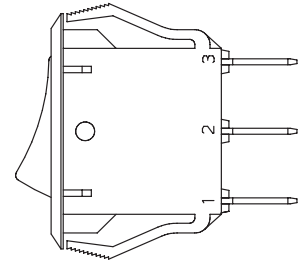
D ON-OFF



H 0 1



P 0 -



NOTE: Orientation of actuator marking and terminals.

Shown in Pos. 1

CONTACT MATERIAL



OPTION CODE	CONTACT AND TERMINAL MATERIAL	RATINGS	
QF	SILVER	POWER	16 AMPS @ 125 VAC; 10 AMPS @ 250 VAC (UL/CSA) 10 AMPS @ 250 VAC (VDE) μ T85.

* Note: See Technical Data section of this catalog for RoHS compliant and compatible definitions and specifications.

LAMP RATING



(NONE) NO LAMP

7 125 VAC 33k Ω NEON

8 250 VAC 150k Ω NEON

NOTE: Lamp rating for J3 actuator option.