

CF-LA

NEW

RoHS Compliance



Approvals

C-US UL, UL : E43275
ENEC : SE/05105-04

- UL
- C-US UL
- ENEC

Features

1. High in rush rocker switches
2. In rush 160A max.
3. Five kinds of terminal style
4. Temporarily dust proof type (IP40)
5. C-US UL, UL (TV-8), and ENEC listed.

Specifications

| | | |
|-------------------------------|-------------------|---|
| Rating | Max. | 16A125V AC or 16A250V AC (Resistive load) |
| | Min. | AC/DC5V 10mA |
| Initial contact resistance | 20mΩ max. | |
| Initial Dielectric strength | 1500V AC 1minute. | |
| Initial insulation resistance | 100MΩ min. | |
| Operating force | 1~8N | |
| Electrical life | 20,000 cycles | |
| Operating temperature range | -25~+85°C | |
| Storage temperature range | -40~+85°C | |

Part Numbering

CF-LA - 2 K Z2 - 1

Series code Number of poles Switching function Terminal style Rocker design Packaging spec

| Fig. | Number of poles |
|------|-----------------|
| 1 | 1 pole |
| 2 | 2 poles |

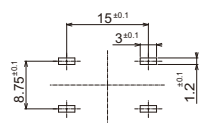
| Code | Switching function |
|------|--------------------|
| A | ON - OFF |
| K | ON - OFF |

| Code | Terminal style |
|------|----------------|
| C | P/C |
| C4 | PC-R/A |
| C5 | PC-L/A |
| L | Solder |
| Z2 | TAB:#250 |

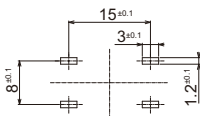
| Fig. | Rocker design |
|------|---------------|
| 1 | Unfigured |
| 2 | ● |
| 3 | ○ |

| Code | Packaging spec |
|-------|-----------------|
| Blank | Plastic bags |
| C | Card board tray |

PC Hole Layouts

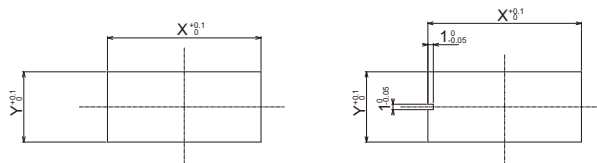


P/C

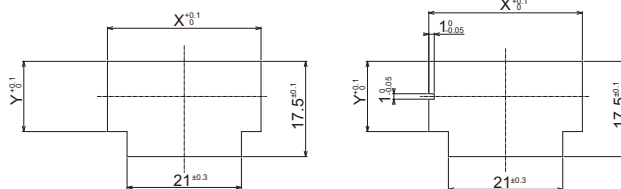


R/A, L/A

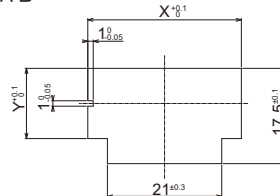
Panel Cut-Out Dimensions



P/C, TAB



R/A, L/A

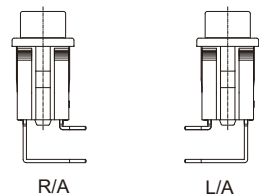


R/A

| Panel thickness | X | Y |
|-----------------|------|------|
| 0.75~1.25 | 28.2 | 12.9 |
| 1.25以上~2 | 28.4 | 12.9 |
| 2~3 | 28.8 | 12.9 |

Terminal Styles

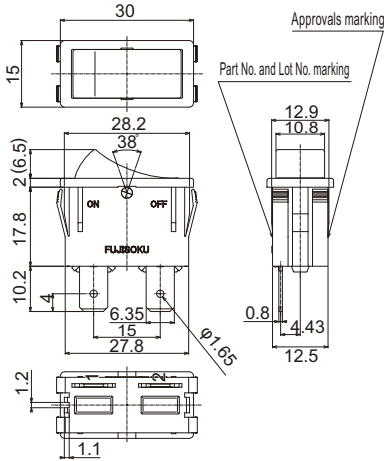
| Solder (Style : L) | TAB#250 (Style : Z2) | P/C (Style : C) | R/A (Style : C4) L/A (Style : C5) |
|--------------------------------------|-----------------------------|------------------------|-----------------------------------|
| <p>R1.6 R0.83 6.35 t=0.8</p> | <p>φ1.65 6.35 t=0.8</p> | <p>4 5.5 t=0.8</p> | <p>2 0.8 8 4.2 12.5</p> |



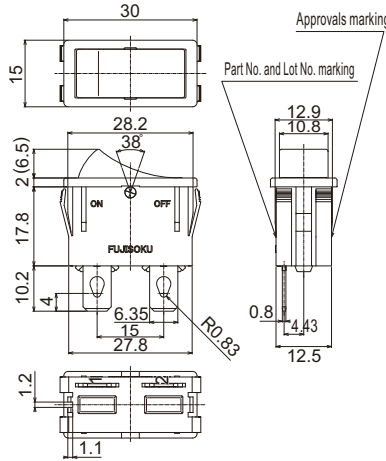
※ Only for 2 poles left angle terminal.

Outline dimensions

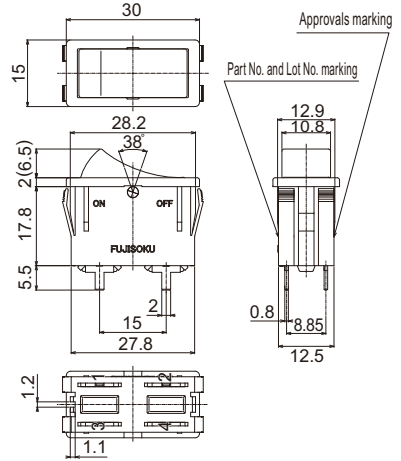
● Tab:#250 / 1 Pole



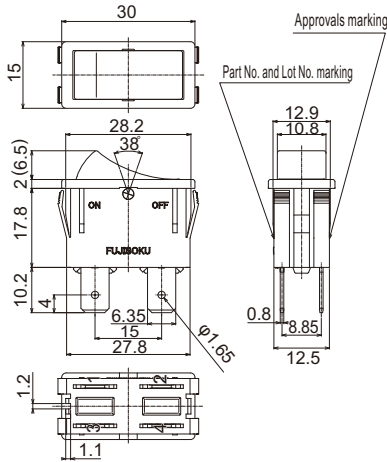
● Solder / 1 Pole



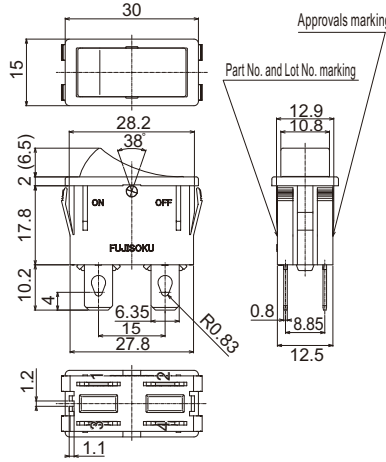
● P/C / 1 and 2 Poles



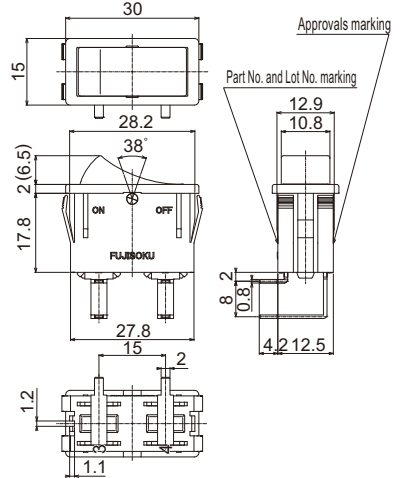
● Tab:#250 / 2 Poles



● Solder / 2 Poles



● PC-R/A / 2 Poles



List of part numbers

| Number of poles | Switching function | Terminal style | Rocker design | | | Pieces in package | |
|-----------------|--------------------|----------------|---------------|---------------|---------------|----------------------------------|-----------------------------|
| | | | Unfigured | ● | ○ | | |
| 1 Pole | ON—OFF | P/C | CF-LA-1AC-1C | CF-LA-1AC-2C | CF-LA-1AC-3C | Card board tray 100 pcs./pack | |
| | | PC-R/A | CF-LA-1AC4-1C | CF-LA-1AC4-2C | CF-LA-1AC4-3C | | |
| | | Solder | CF-LA-1AL-1C | CF-LA-1AL-2C | CF-LA-1AL-3C | | |
| | | Tab:#250 | CF-LA-1AZ2-1C | CF-LA-1AZ2-2C | CF-LA-1AZ2-3C | | |
| 2 Poles | ON—OFF | P/C | CF-LA-2KC-1C | CF-LA-2KC-2C | CF-LA-2KC-3C | | |
| | | PC-R/A | CF-LA-2KC4-1C | CF-LA-2KC4-2C | CF-LA-2KC4-3C | | |
| | | PC-L/A | CF-LA-2KC5-1C | CF-LA-2KC5-2C | CF-LA-2KC5-3C | | |
| | | Solder | CF-LA-2KL-1C | CF-LA-2KL-2C | CF-LA-2KL-3C | | |
| 1 Pole | ON—OFF | Tab:#250 | CF-LA-2KZ2-1C | CF-LA-2KZ2-2C | CF-LA-2KZ2-3C | | |
| | | P/C | CF-LA-1AC-1 | CF-LA-1AC-2 | CF-LA-1AC-3 | | Plastic bags 5 pcs./pack |
| | | PC-R/A | CF-LA-1AC4-1 | CF-LA-1AC4-2 | CF-LA-1AC4-3 | | |
| | | Solder | CF-LA-1AL-1 | CF-LA-1AL-2 | CF-LA-1AL-3 | | |
| 2 Poles | ON—OFF | Tab:#250 | CF-LA-1AZ2-1 | CF-LA-1AZ2-2 | CF-LA-1AZ2-3 | | |
| | | P/C | CF-LA-2KC-1 | CF-LA-2KC-2 | CF-LA-2KC-3 | | |
| | | PC-R/A | CF-LA-2KC4-1 | CF-LA-2KC4-2 | CF-LA-2KC4-3 | | |
| | | PC-L/A | CF-LA-2KC5-1 | CF-LA-2KC5-2 | CF-LA-2KC5-3 | | |
| 2 Poles | ON—OFF | Solder | CF-LA-2KL-1 | CF-LA-2KL-2 | CF-LA-2KL-3 | | |
| | | Tab:#250 | CF-LA-2KZ2-1 | CF-LA-2KZ2-2 | CF-LA-2KZ2-3 | | |

Soldering

(1) Auto soldering

Device : Jet wave or dip type
260°C 5~6sec Max.

● Preheat should be within 80-150°C, 180sec.

Applicable to PC terminals only.

(2) Hand soldering

Device : Solder iron
380°C Max. 3sec Max.

COPAL ELECTRONICS Group

FUJISOKU CORPORATION

