

Distributed by:

JAMECO[®]
ELECTRONICS

www.Jameco.com ♦ 1-800-831-4242

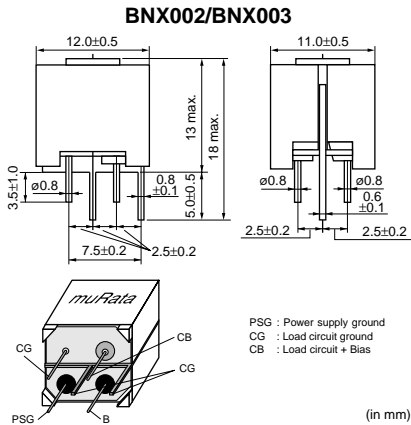
The content and copyrights of the attached
material are the property of its owner.

Jameco Part Number 1845574

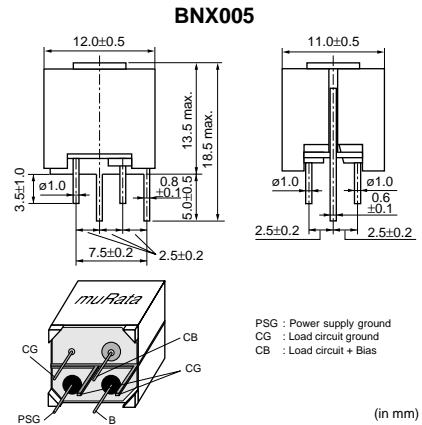
Block Type EMIFIL® LC Combined Type

BNX00* Series

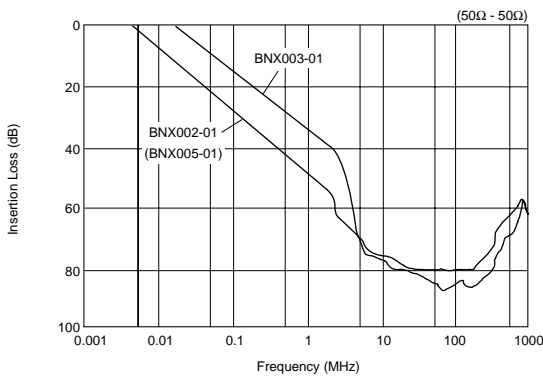
Dimension



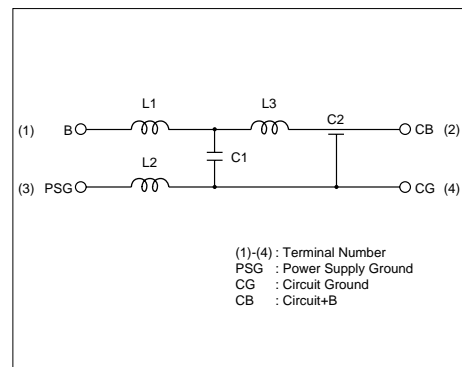
Dimension



IL of Main Items



Equivalent Circuit



Packaging

| Code | Packaging | Minimum Quantity |
|------|-----------|------------------|
| - | Box | 100 |

Rated Value

| Part Number | Rated Voltage | Withstand Voltage | Rated Current | Insulation Resistance(min.) | Insertion Loss |
|------------------|---------------|-------------------|---------------|-----------------------------|--|
| BNX002-01 | 50Vdc | 125Vdc | 10A | 100M ohm | 1MHz to 1GHz:40dB min.(20 to 25degree C line impedance=50 ohm) |
| BNX003-01 | 150Vdc | 375Vdc | 10A | 100M ohm | 5MHz to 1GHz:40dB min.(20 to 25degree C line impedance=50 ohm) |
| BNX005-01 | 50Vdc | 125Vdc | 15A | 100M ohm | 1MHz to 1GHz:40dB min.(20 to 25degree C line impedance=50 ohm) |


Operating Temperature Range: -30°C to 85°C


Continued on the following page.

● This data sheet is applied for Block Type EMIFIL® used for General Electronics equipment for your design.

Note:

1. This datasheet is downloaded from the website of Murata Manufacturing co., Ltd. Therefore, it's specifications are subject to change or our products in it may be discontinued without advance notice. Please check with our sales representatives or product engineers before ordering.
2. This datasheet has only typical specifications because there is no space for detailed specifications. Therefore, please approve our product specifications or transact the approval sheet for product specifications before ordering.

 Continued from the preceding page.

■  **Caution (Rating)**

Do not use products beyond the rated current and rated voltage as this may create excessive heat and deteriorate the insulation resistance.

● This data sheet is applied for Block Type EMIFIL® used for General Electronics equipment for your design.

 **Note:**

1. This datasheet is downloaded from the website of Murata Manufacturing co., Ltd. Therefore, it's specifications are subject to change or our products in it may be discontinued without advance notice. Please check with our sales representatives or product engineers before ordering.
2. This datasheet has only typical specifications because there is no space for detailed specifications. Therefore, please approve our product specifications or transact the approval sheet for product specifications before ordering.