



Main

Range of product	Modicon M340 automation platform
Product or component type	Discrete I/O module
Electrical connection	20-way connector
Discrete input number	8
Input type	Current sink (logic positive)
Discrete input voltage	24 V DC positive
Discrete input current	3.5 mA
Input compatibility	With 2-wire/3-wire proximity sensors conforming to IEC 60947-5-2
Discrete output number	8
Discrete output type	Solid state
Discrete output voltage	24 V 19...30 V DC
Discrete output current	0.5 A

Complementary

Sensor power supply	19...30 V
Voltage state 1 guaranteed	≥ 11 V
Current state 1 guaranteed	≥ 3 mA
Voltage state 0 guaranteed	≤ 5 V
Current state 0 guaranteed	≤ 1.5 mA
Current per channel	≤ 0.625 A
Current per module	≤ 5 A
Leakage current	≤ 0.5 mA at state 0
[Ures] residual voltage	≤ 1.2 V at state 1
Input impedance	6800 Ohm
Insulation resistance	> 10 MOhm 500 V DC
Power dissipation in W	≤ 3.7 W
DC typical filtering time	4 ms
DC maximum filtering time	7 ms
Response time on output	1.2 ms
Paralleling of outputs	Yes : 2 maximum
Typical current consumption	30 mA 24 V DC 100 mA 3.3 V DC
Current consumption	≤ 67 mA at 24 V DC ≤ 111 mA at 3.3 V DC
MTBF reliability	447581 H
Protection type	1 external fuse per group of input channel 0.5 A fast blow Reverse polarity protection on output Reverse polarity protection on input Overvoltage protection on output
Output overload protection	With electronic circuit breaker $1.5 I_n < I_d < 2 I_n$ With current limiter
Output overvoltage protection	With transil diode
Output short-circuit protection	With 2 A external fuse
Reverse polarity protection	Reverse mounted diode
Voltage detection threshold	> 18 V DC sensor OK > 18 V DC preactuator OK < 14 V DC sensor fault < 14 V DC preactuator fault

The information provided in this documentation contains general descriptions and/or technical characteristics of the performance of the products contained herein. This documentation is not intended as a substitute for and is not to be used for determining suitability or reliability of these products for specific user applications. It is the duty of any such user or integrator to perform the appropriate and complete risk analysis, evaluation and testing of the products with respect to the relevant specific application or use thereof. Neither Schneider Electric Industries SAS nor any of its affiliates or subsidiaries shall be responsible or liable for misuse of the information contained herein.

Tungsten load	<= 6 W
Switching frequency	0.5/LI ² Hz
Overload time	<= 15 ms
Load impedance ohmic	<= 48 Ohm
Status LED	1 LED red module I/O 1 LED red module error (ERR) 1 LED per channel green channel diagnostic 1 LED green module operating (RUN)
Product weight	0.115 kg

Environment

IP degree of protection	IP20
Standards	CSA 22-2 No 142 IEC 1131-2 IEC 664 NF C 63-850 UL 508 UL 746C
Dielectric strength	500 V DC 1 minute, between group of inputs and outputs 1500 V AC at 50/60 Hz 1 minute, primary/secondary 1500 V AC at 50/60 Hz 1 minute, output/internal logic 1500 V AC at 50/60 Hz 1 minute, output/ground
Ambient air temperature for operation	0...60 °C
Relative humidity	10...95 % without condensation
Protective treatment	TC

Modules Mounted on Racks

Dimensions

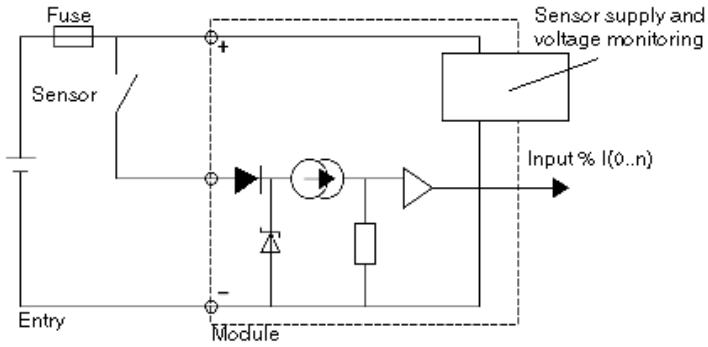


- (1) With removable terminal block (cage, screw or spring).
- (2) With FCN connector.
- (3) On AM1 ED rail: 35 mm wide, 15 mm deep. Only possible with BMXXBP0400/0400H/0600/0600H/0800/0800H rack.

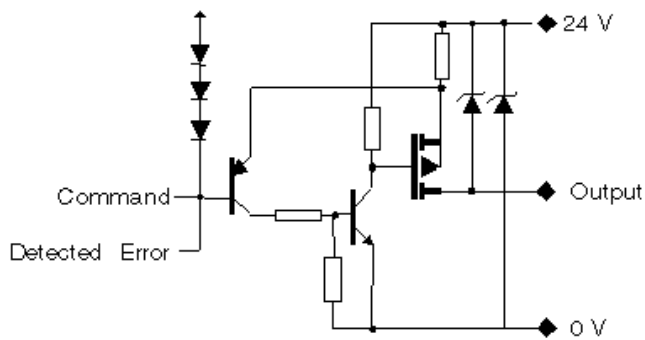
Rack references	a in mm	a in in.
BMXXBP0400 and BMXXBP0400H	242.4	09.54
BMXXBP0600 and BMXXBP0600H	307.6	12.11
BMXXBP0800 and BMXXBP0800H	372.8	14.68
BMXXBP1200 and BMXXBP1200H	503.2	19.81

Connecting the Module

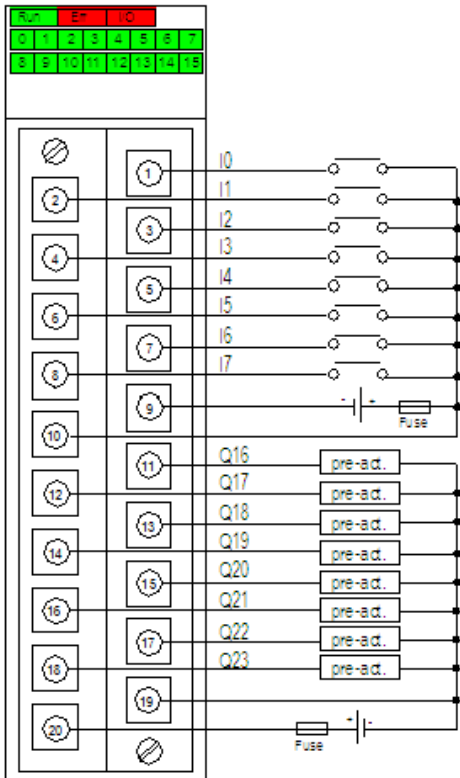
Input Circuit Diagram



Output Circuit Diagram



Module Connection



powe24 VDC
 supply
 input fast blow fuse of 0.5 A
 fuse
 output fast blow fuse of 6.3 A
 fuse
 pre- pre-actuator
 act