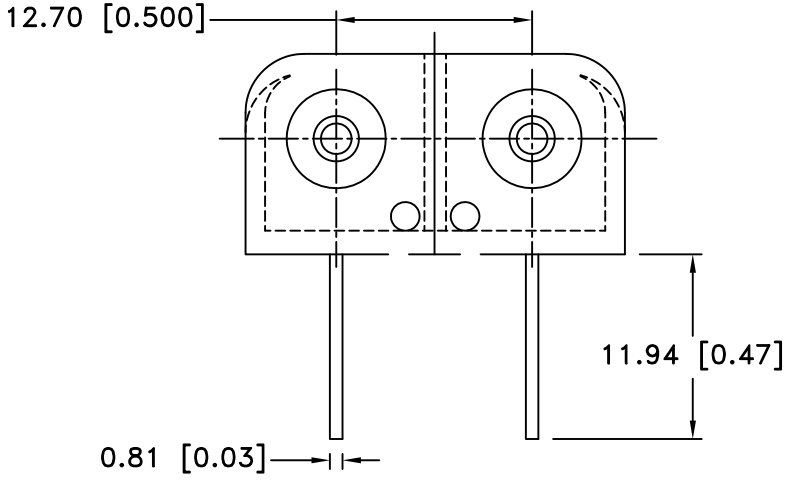
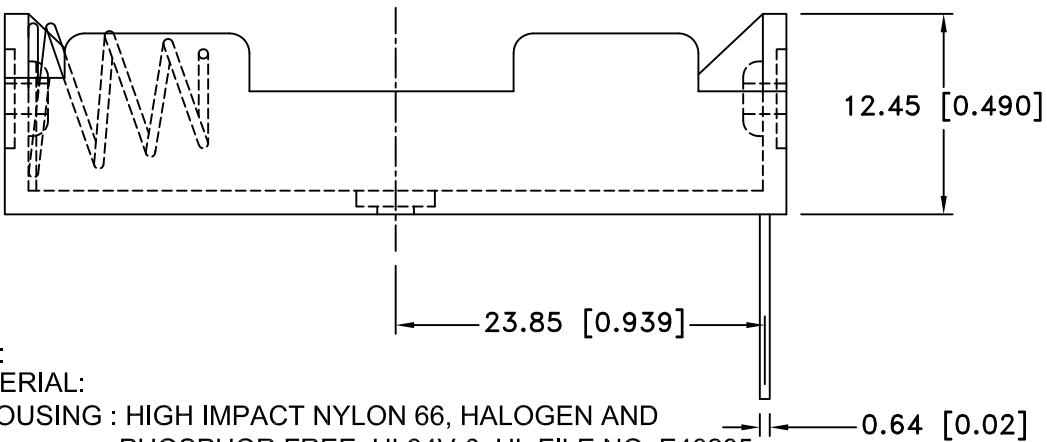
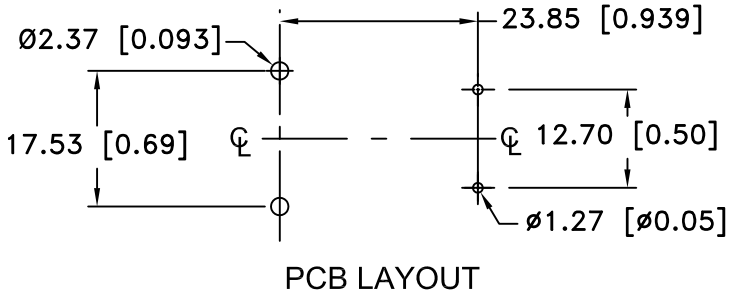
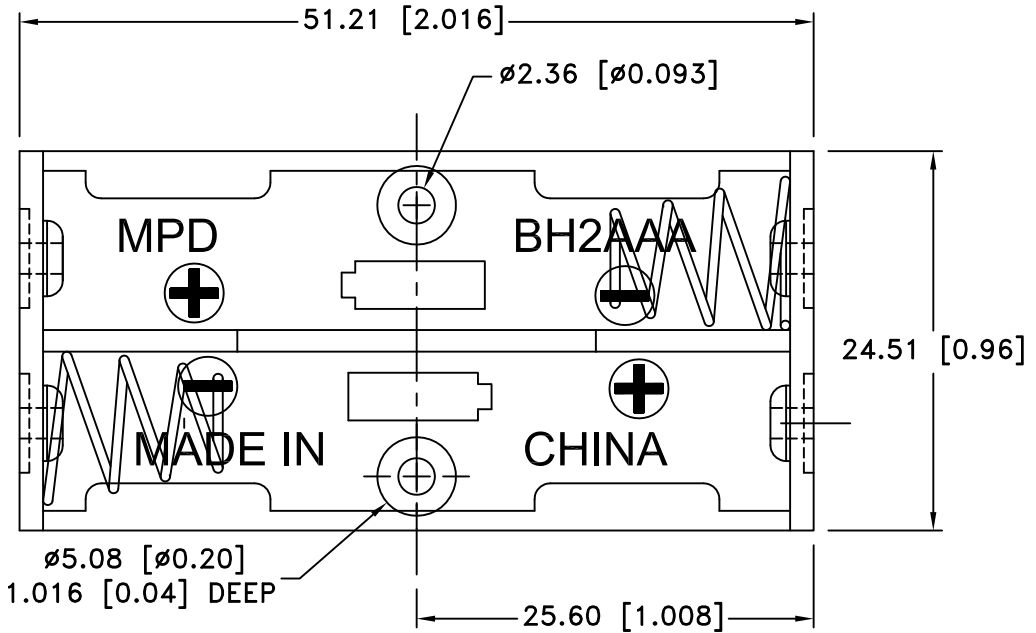



Date	SYM	REVISION RECORD	AUTH	DR.	CK.
12/26/03	A	CHANGED MATERIAL SPECIFICATION	T.B.	B.S.	
1/14/06	B	ADDED "ROHS COMPLIANT"	T.B.	B.S.	
5/20/06	C	UPATED PCB LAYOUT	T.B.	B.S.	
03/15/13	D	UPATED TO ROHS 2 COMPLIANT	T.B.	B.S.	



NOTES:
 1. MATERIAL:
 HOUSING : HIGH IMPACT NYLON 66, HALOGEN AND PHOSPHOR FREE, UL94V-0, UL FILE NO. E48285
 RIVETS: BRASS, NICKLE PLATED.
 SPRING: 302 STAINLESS STEEL, NICKLE PLATED.
 PC PINS: 302 STAINLESS STEEL, NICKEL PLATED.
 TEMPERATURE RANGE: -40°C TO +140°C
 RESISTANT TO SOLVENTS, COMMON OILS AND REFRIGERANTS
 ROHS 2 COMPLIANT

MOUNTING INSTRUCTION:
 USE 2-56 MACHINE SCREWS OR EYELETS 0.089" OD BY 0.15" FLANGE STIMPSON GS-3 SERIES OR EQUIVALENT. ALSO ADHESIVES AND DOUBLE SIDED TAPES WORK WELL.

Tolerance (Except as noted)	 Memory Protection Devices, Inc 200 Broad Hollow Road, Farmingdale, New York 11735		
	decimal $\pm .5$ (.020)	Scale	Drawn By B.S. Approved By T.B.
Fractional $\pm .8$ (.030)	Title TWO "AAA" CELL HOLDER		
Angular $\pm 3^\circ$	Date 03/15/13	Drawing Number BH2AAAPC	