

B3S

Surface Mount Switch



- Sealed construction allows immersion-cleaning of the PC board with the tactile switches mounted and soldered
- Ground terminal available to protect against static electricity
- Ideal for applications such as audio, office and communications equipment, TVs, etc
- Tape packaging also available (add "P" to the end of the part number)

Part	Rated Resistive Load - Switch	Actuator types	Contact form	Operating Force	Seal type	Termination Style	Service Life - Electrical (Min. @ Rated Loads)
B3S-1000	50mA @ 24 VDC	Top Actuated plunger	SPST-NO	160g	IP64	SMT	500,000 ops
B3S-1000P	50mA @ 24 VDC	Top Actuated plunger	SPST-NO	160g	IP64	SMT	500,000 ops
B3S-1002	50mA @ 24 VDC	Top Actuated plunger	SPST-NO	230g	IP64	SMT	300,000 ops
B3S-1002P	50mA @ 24 VDC	Top Actuated plunger	SPST-NO	230g	IP64	SMT	300,000 ops
B3S-1100	50mA @ 24 VDC	Top Actuated plunger	SPST-NO	160g	IP64	SMT - w/Ground	500,000 ops
B3S-1100P	50mA @ 24 VDC	Top Actuated plunger	SPST-NO	160g	IP64	SMT - w/Ground	500,000 ops
B3S-1102	50mA @ 24 VDC	Top Actuated plunger	SPST-NO	230g	IP64	SMT - w/Ground	300,000 ops
B3S-1102P	50mA @ 24 VDC	Top Actuated plunger	SPST-NO	230g	IP64	SMT - w/Ground	300,000 ops

Tactile Switch B3S

Surface Mount Tactile Switch for High-Density Packaging

- Sealed construction allows immersion-cleaning IP64 (IEC529) of the PC board with the tactile switches mounted and soldered
- Ground terminal available to protect against static electricity
- Ideal for applications such as audio, office, and communications equipment, measuring instruments, industrial robots, VCRs, TVs, and vending machines
- Tape packaging style also available: contact OMRON for details
- RoHS Compliant



Ordering Information

Switch height x pitch	Operating force	Part number			
		Without ground terminal		With ground terminal	
		Bags	Embossed Tape	Bags	Embossed Tape
4.3 x 9.0 mm	General-purpose: 160 g	B3S-1000	B3S-1000P	B3S-1100	B3S-1100P
	High-force: 230 g	B3S-1002	B3S-1002P	B3S-1102	B3S-1102P

Important Note: Switches cannot be water-washed.

Specifications

■ Characteristics

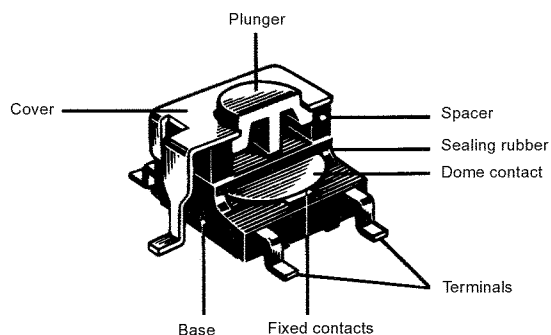
Switching capacity		50 mA 24 VDC (resistive load)
Contact form		SPST-NO
Permissible load		1 mA 5 VDC min. (resistive load)
Contact resistance		100 M Ω max.
Insulation resistance		100 M Ω min. (at 250 VDC)
Dielectric strength		500 VAC, 50/60 Hz for 1 minute
Bounce time		5 ms max.
Vibration	Malfunction durability	10 to 55 Hz, 1.5-mm double amplitude
Shock	Mechanical durability	1,000 m/s ² (approx. 100 G)
	Malfunction durability	100 m/s ² (approx. 10 G)
Ambient temperature		-25° to 70°C (with no icing)
Humidity		35% to 85% RH
Service life	General-purpose type	500,000 operations min.
	High-force type	300,000 operations min.
[Mechanical/electrical]		
Weight		Approx. 0.30 g

Note: Data shown are of initial value.

Operating Characteristics — B3S-1□□□ Series

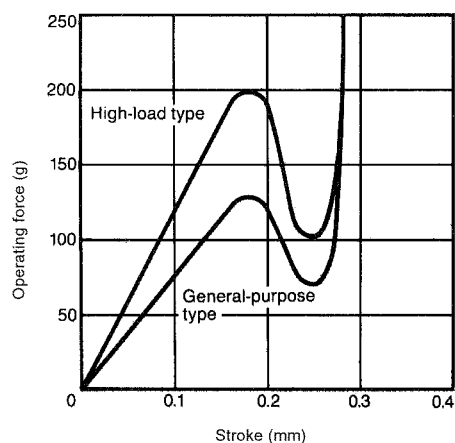
Characteristics	General-purpose	High-force
Operating force (OF) max.	160 g	230 g
Release force (RF) min.	20 g	50 g
Pretravel (PT)	$0.25 + 0.2 / -0.1$ mm	$0.25 + 0.2 / -0.1$ mm

Construction



Engineering Data

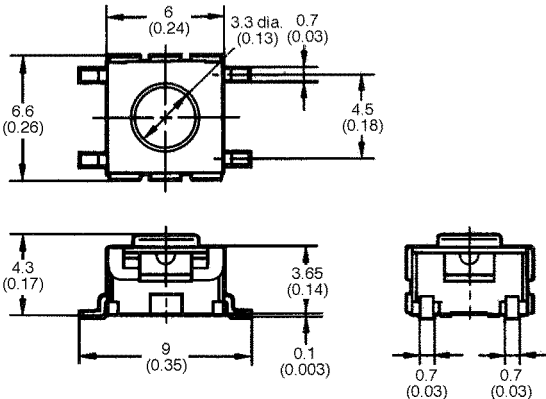
Operating Force vs. Stroke (Typical Example)



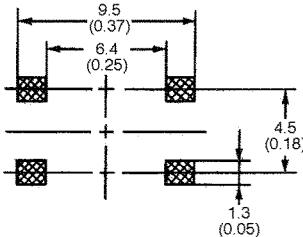
Dimensions

Unit: mm (inch)

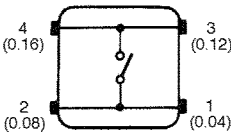
■ B3S-1000, B3S-1002



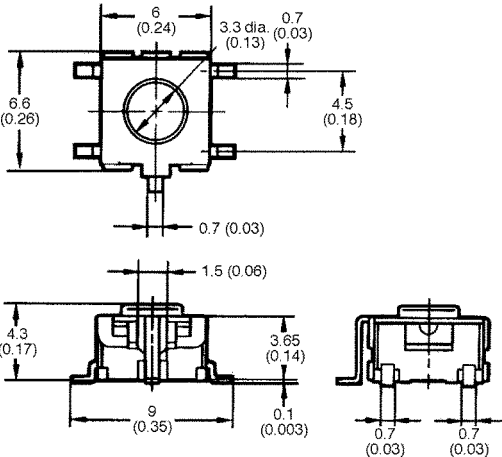
Footprint (top view)



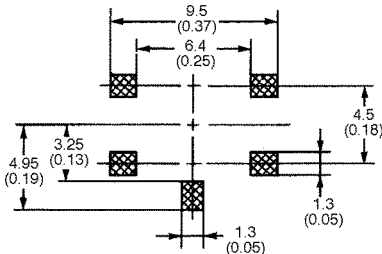
Terminal arrangement/Internal connection (top view)



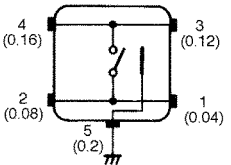
■ B3S-1100, B3S-1102



Footprint (top view)



Terminal arrangement/Internal connection (top view)



■ Tape Packaging Dimensions

