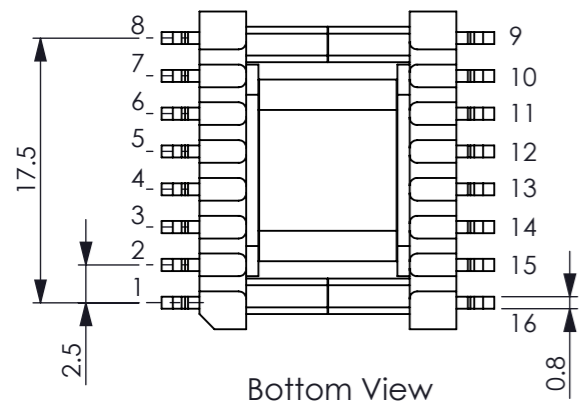
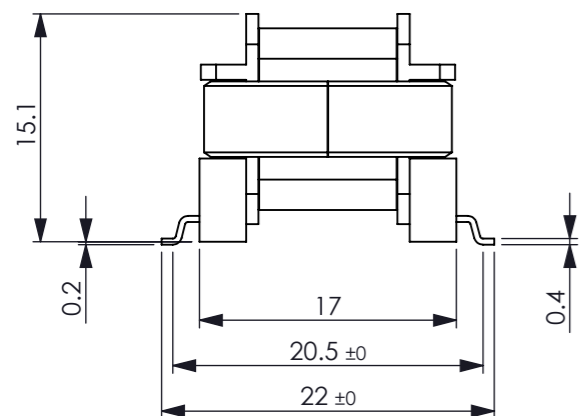


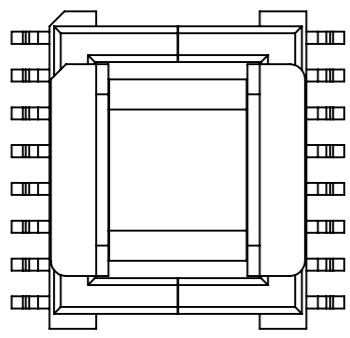
BOURNS WORLDWIDE CONTACTS:
 Asia-Pacific: Tel: +886-22562-4117 Fax: +886-2 2562-4116
 EMEA: Tel: +36 88 520 390 Fax: +36 88 520 211
 The Americas: Tel: +1-951 781 5500 Fax: +1 951 781-5700
 www.bourns.com



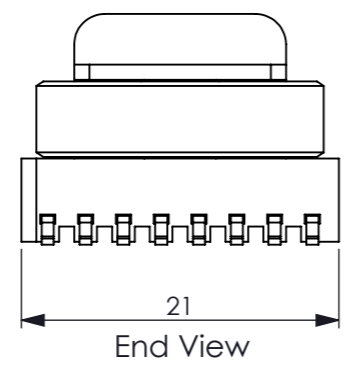
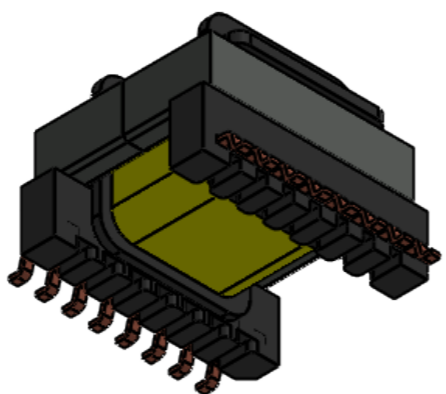
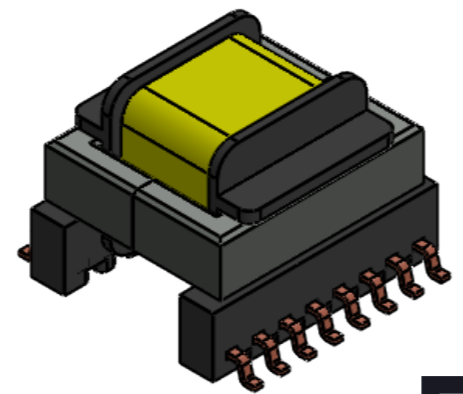
Bottom View



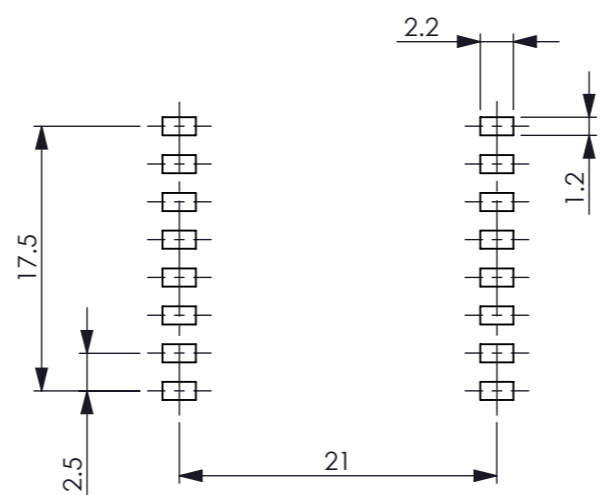
Front View



Top View

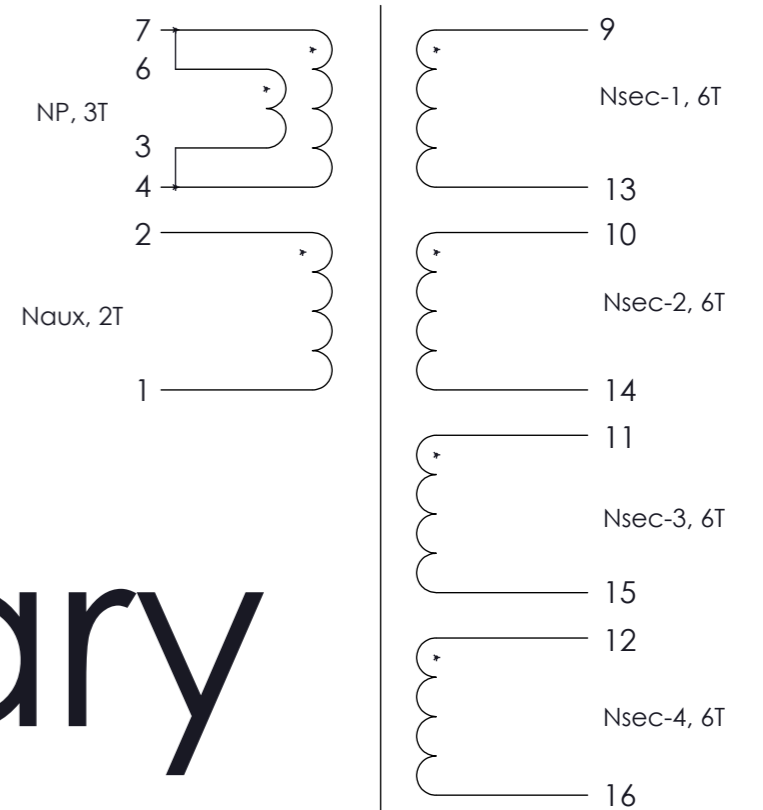


End View



RECOMMENDED PAD LAYOUT

Preliminary



SCHEMATIC

ELECTRICAL SPECIFICATION

1. Primary Inductance (1V at 100kHz): L (1-3) = 5mH±7%
2. Leakage Inductance (1V at 100kHz)
3. DC Resistance

NP	10 mΩ Max
Nsec-1	130 mΩ Max
Nsec-2	130 mΩ Max
Nsec-3	130 mΩ Max
Nsec-4	130 mΩ Max
Naux	35 mΩ Max

4. Turns Ratio:
(Pri) : (Sec) = 1 : 2 Typical
(Pri) : (Aux) = 1 : 1 Typical
5. Hi-pot: 500V

GENERAL INFORMATION

1. This part is compliant with RoHS, REACH and AECQ-200
2. Operating Temperature: -40°C to +125°C Including Temperature Rise
3. Storage Temperature: -40°C to +85°C
4. Functional insulation only

Title: EE19 16 Pin Transformer 	Customer approval:	Drawing Number: B180179	Drawn: TH	Date: 11/June/2019	 DRAWN IN FIRST ANGLE PROJECTION.
	Customer part no:	Change Notice:	Checked:	Date:	
	Bourns project no: D5577	Revision: X0	Approved:	Date:	Page 1 of 3

THIS PRINT DISCLOSES SUBJECT MATTER IN WHICH BOURNS, INC. HAS PROPRIETARY RIGHTS. THE RECEIPT OR POSSESSION OF THIS PRINT DOES NOT CONFER, TRANSFER OR LICENCE THE USE OF THE DESIGN OR TECHNICAL INFORMATION SHOWN HEREIN. REPRODUCTION OF THIS PRINT OR ANY INFORMATION CONTAINED HEREIN OR MANUFACTURE OF ANY ARTICLE HEREFROM, FOR DISCLOSURE TO OTHERS, IS FORBIDDEN, EXCEPT BY SPECIFIC WRITTEN PERMISSION FROM BOURNS, INC.