

Multilayer Chip Antennas

For 2.4GHz W-LAN/Bluetooth

ANT Series

Type: **ANT8030-2R4 (8.0×3.0×1.0mm)**

Issue date: November 2010

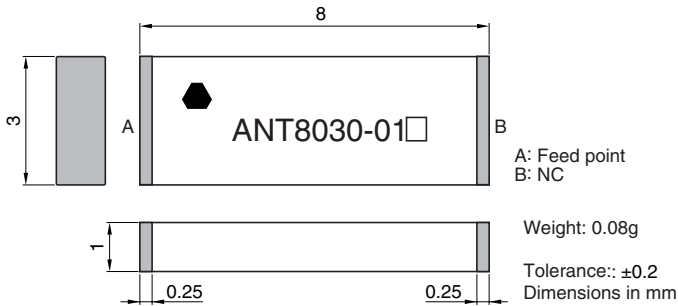
- All specifications are subject to change without notice.
 - Conformity to RoHS Directive: This means that, in conformity with EU Directive 2002/95/EC, lead, cadmium, mercury, hexavalent chromium, and specific bromine-based flame retardants, PBB and PBDE, have not been used, except for exempted applications.
-

Multilayer Chip Antennas For 2.4GHz

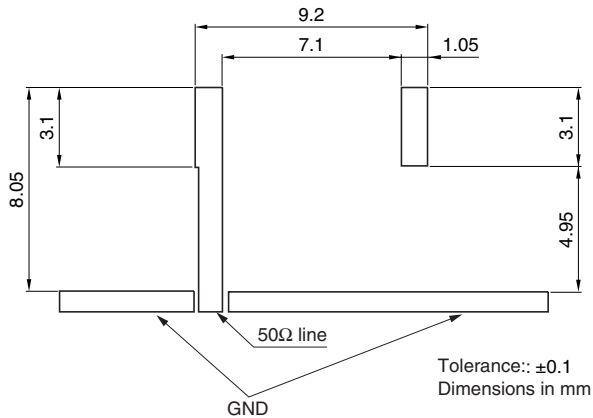
Conformity to RoHS Directive

ANT Series ANT8030-2R4

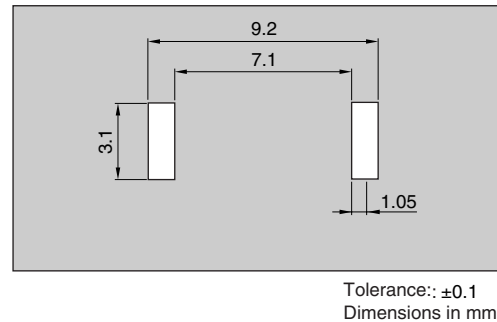
SHAPES AND DIMENSIONS



RECOMMENDED PC BOARD PATTERNS ELECTRODE



SOLDER RESIST

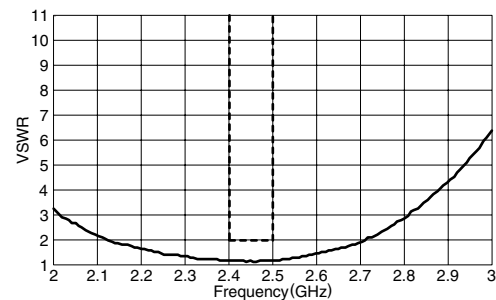


ELECTRICAL CHARACTERISTICS

Part No.	ANT8030-2R4-01A	
Center frequency	2450MHz	
Band width	100MHz	
Polarization	Linear	
Antenna gain	2dBi max.	
Impedance	50Ω	
VSWR	2max.	
Temperature range	Operating	-30 to +85°C
	Storage	-40 to +85°C

FREQUENCY CHARACTERISTICS

VSWR



• Conformity to RoHS Directive: This means that, in conformity with EU Directive 2002/95/EC, lead, cadmium, mercury, hexavalent chromium, and specific bromine-based flame retardants, PBB and PBDE, have not been used, except for exempted applications.

• All specifications are subject to change without notice.

RADIATION PATTERNS

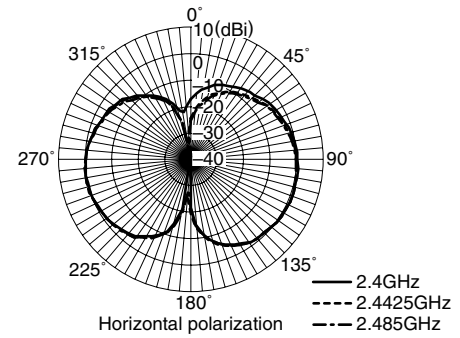
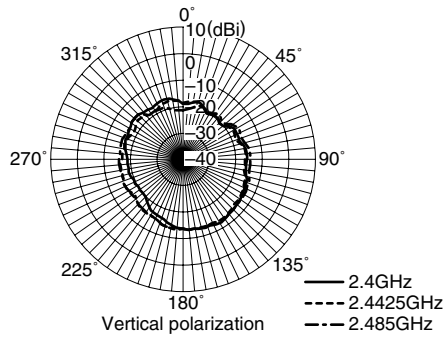
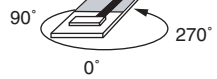
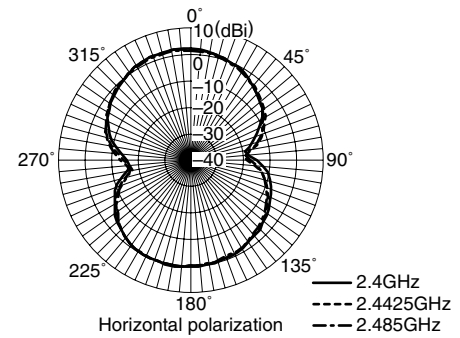
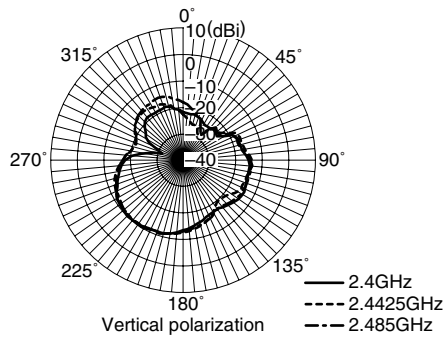
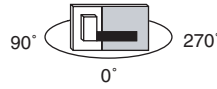
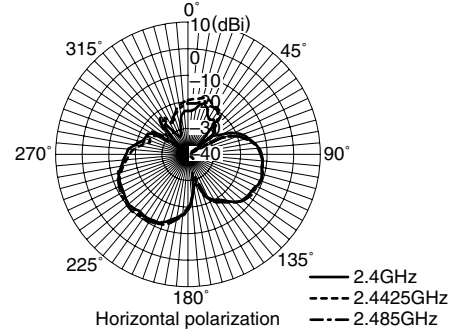
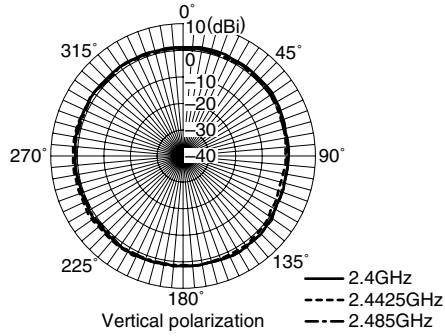
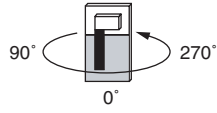
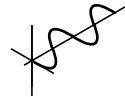
ANT8030-2R4-01A

Directivity angle

Vertical polarization



Horizontal polarization



- The radiation pattern is measured by mounting the antenna on 55×20mm TDK STD evaluation base.
- Standard antenna: Standard dipole(Anritsu)
 Tx antenna: Horn(TECOM)