

Features

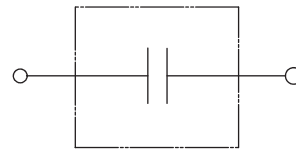
- Lowself-heating and low loss by using thin polypropylene film.
- High withstand voltage (between line and ground) by the design of resin outer case.
- Stable design for mounting on a board.

Applications

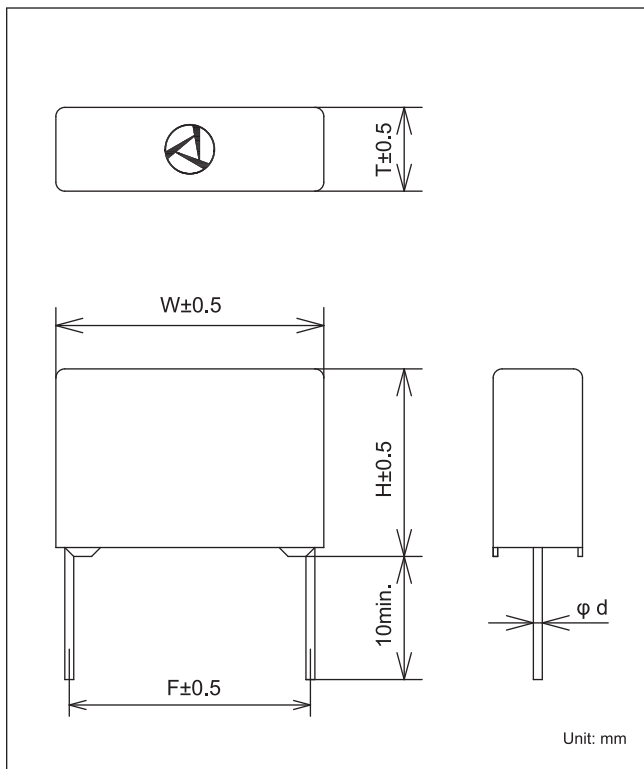
- Active filter circuit for electrical appliances. (PFC circuit)
- Flat screen television, PC display monitor, Audio-video equipment and home appliance.



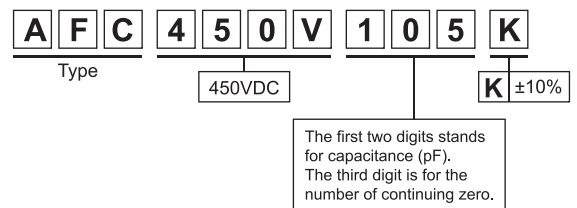
Circuit



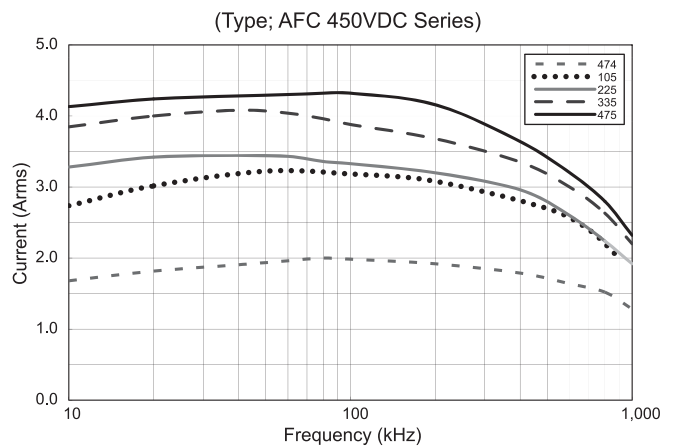
Dimensions



- Model numbering system



Permissible current data (r.m.s. value)



Electrical Specifications

Model Number	Capacitance μF±10%	Dimensions					Dissipation Factor	Test Voltage	Insulation Resistance	
		W	H	T	F	d				
AFC450V474K	0.47	17.0	14.5	6.5	15.0	0.6	Line to Line Rated Voltage×1.75VDC (2~5sec)	Line to Line 7,500Ω·Fmin.		
AFC450V684K	0.68	17.5	15.0	7.5						
AFC450V105K	1.0	18.5	18.0	9.5						
AFC450V225K	2.2	25.5	19.5	10.5	22.5	0.8			Line to Ground 2,500VAC 50/60Hz 60sec	Line to Ground 100,000MΩmin. (at 100VDC)
AFC450V335K	3.3		22.0	13.5						
AFC450V475K	4.7		25.0	17.5						

Operating Temperature: -40~+105°C