



# 16-Bit, Six-Channel, Simultaneous Sampling ANALOG-TO-DIGITAL CONVERTER

Check for Samples: [ADS8555](#)

## FEATURES

- Six SAR ADCs Grouped in Three Pairs
- Maximum Data Rate Per Channel with Internal Clock and Reference: 630kSPS (Parallel) or 450kSPS (Serial)
- Maximum Data Rate Per Channel with External Clock and Reference: 800kSPS (Parallel) or 500kSPS (Serial)
- Pin-Selectable or Programmable Input Voltage Ranges: Up to  $\pm 12V$
- Excellent AC Performance: 91.5dB SNR,  $-94dB$  THD
- Programmable and Buffered Internal Reference: 0.5V to 2.5V and 0.5V to 3.0V
- Comprehensive Power-Down Modes: Deep Power-Down (Standby Mode) Auto-Nap Power-Down
- Selectable Parallel or Serial Interface
- Operating Temperature Range:  $-40^{\circ}C$  to  $+125^{\circ}C$
- LQFP-64 Package

## APPLICATIONS

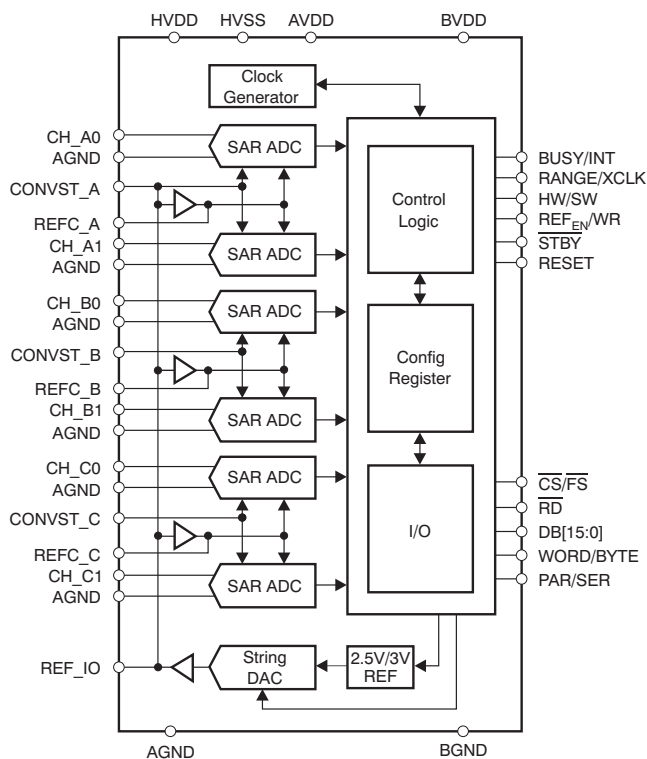
- Power Quality Measurement
- Protection Relays
- Multi-Axis Motor Control
- Programmable Logic Controllers
- Industrial Data Acquisition

## DESCRIPTION

The ADS8555 contains six low-power, 16-bit, successive approximation register (SAR)-based analog-to-digital converters (ADCs) with true bipolar inputs. Each channel contains a sample-and-hold circuit that allows simultaneous high-speed multi-channel signal acquisition.

The ADS8555 supports data rates of up to 630kSPS in parallel interface mode or up to 450kSPS if the serial interface is used. The bus width of the parallel interface can be set to eight or 16 bits. In serial mode, up to three output channels can be activated.

The ADS8555 is specified over the extended industrial temperature range of  $-40^{\circ}C$  to  $+125^{\circ}C$  and is available in an LQFP-64 package.



Please be aware that an important notice concerning availability, standard warranty, and use in critical applications of Texas Instruments semiconductor products and disclaimers thereto appears at the end of this data sheet.

All trademarks are the property of their respective owners.



This integrated circuit can be damaged by ESD. Texas Instruments recommends that all integrated circuits be handled with appropriate precautions. Failure to observe proper handling and installation procedures can cause damage.

ESD damage can range from subtle performance degradation to complete device failure. Precision integrated circuits may be more susceptible to damage because very small parametric changes could cause the device not to meet its published specifications.

## PACKAGE/ORDERING INFORMATION

For the most current package and ordering information, see the Package Option Addendum at the end of this document, or visit the device product folder at [www.ti.com](http://www.ti.com).

## ABSOLUTE MAXIMUM RATINGS<sup>(1)</sup>

Over operating free-air temperature range, unless otherwise noted.

		ADS8555	UNIT
Supply voltage, HVDD to AGND		–0.3 to +18	V
Supply voltage, HVSS to AGND		–18 to +0.3	V
Supply voltage, AVDD to AGND		–0.3 to +6	V
Supply voltage, BVDD to BGND		–0.3 to +6	V
Analog input voltage		HVSS – 0.3 to HVDD + 0.3	V
Reference input voltage with respect to AGND		AGND – 0.3 to AVDD + 0.3	V
Digital input voltage with respect to BGND		BGND – 0.3 to BVDD + 0.3	V
Ground voltage difference AGND to BGND		±0.3	V
Input current to all pins except supply		–10 to +10	mA
Maximum virtual junction temperature, T <sub>J</sub>		+150	°C
ESD ratings	Human body model (HBM) JEDEC standard 22, test method A114-C.01, all pins	±2000	V
	Charged device model (CDM) JEDEC standard 22, test method C101, all pins	±500	V

(1) Stresses beyond those listed under absolute maximum ratings may cause permanent damage to the device. These are stress ratings only and functional operation of the device at these or any other conditions beyond those indicated under recommended operating conditions is not implied. Exposure to absolute-maximum-rated conditions for extended periods may affect device reliability.

## THERMAL INFORMATION

THERMAL METRIC <sup>(1)</sup>		ADS8555	UNITS
		PM	
		64 PINS	
$\theta_{JA}$	Junction-to-ambient thermal resistance	48	°C/W
$\theta_{JCTop}$	Junction-to-case (top) thermal resistance	16	
$\theta_{JB}$	Junction-to-board thermal resistance	N/A	
$\psi_{JT}$	Junction-to-top characterization parameter	N/A	
$\psi_{JB}$	Junction-to-board characterization parameter	N/A	
$\theta_{JCbott}$	Junction-to-case (bottom) thermal resistance	N/A	

(1) For more information about traditional and new thermal metrics, see the *IC Package Thermal Metrics* application report, [SPRA953A](http://www.ti.com/lit/zip/spra953a).

## RECOMMENDED OPERATING CONDITIONS

		MIN	TYP	MAX	UNIT
Supply voltage, AVDD to AGND		4.5	5	5.5	V
Supply voltage, BVDD to BGND	Low-voltage levels	2.7	3.0	3.6	V
	5V logic levels	4.5	5	5.5	V
Input supply voltage, HVDD to AGND	Input range = $\pm 2 \times V_{REF}$	$2 \times V_{REF}$		16.5	V
	Input range = $\pm 4 \times V_{REF}$	$4 \times V_{REF}$		16.5	V
Input supply voltage, HVSS to AGND	Input range = $\pm 2 \times V_{REF}$	-16.5		$-2 \times V_{REF}$	V
	Input range = $\pm 4 \times V_{REF}$	-16.5		$-4 \times V_{REF}$	V
Reference input voltage ( $V_{REF}$ )		0.5	2.5	3.0	V
Analog inputs (also see the <a href="#">Analog Inputs</a> section)	Input range = $\pm 2 \times V_{REF}$	$-2 \times V_{REF}$		$2 \times V_{REF}$	V
	Input range = $\pm 4 \times V_{REF}$	$-4 \times V_{REF}$		$4 \times V_{REF}$	V
Operating ambient temperature range, $T_A$		-40		+125	°C

## ELECTRICAL CHARACTERISTICS

Over recommended operating free-air temperature range of  $-40^\circ\text{C}$  to  $+125^\circ\text{C}$ , AVDD = 4.5V to 5.5V, BVDD = 2.7V to 5.5V, HVDD = 10V to 15V, HVSS =  $-15\text{V}$  to  $-10\text{V}$ ,  $V_{REF} = 2.5\text{V}$  (internal), and  $f_{DATA}$  = maximum, unless otherwise noted.

PARAMETER	CONDITIONS	ADS8555			UNIT	
		MIN	TYP <sup>(1)</sup>	MAX		
<b>DC ACCURACY</b>						
Resolution			16		Bits	
No missing codes		16			Bits	
Integral linearity error	INL	At $T_A = -40^\circ\text{C}$ to $+85^\circ\text{C}$	-3	$\pm 1.5$	3	LSB
		At $T_A = -40^\circ\text{C}$ to $+125^\circ\text{C}$	-4	$\pm 1.5$	4	LSB
Differential linearity error	DNL	At $T_A = -40^\circ\text{C}$ to $+85^\circ\text{C}$	-1	$\pm 0.75$	1.5	LSB
		At $T_A = -40^\circ\text{C}$ to $+125^\circ\text{C}$	-1	$\pm 0.75$	2	LSB
Offset error		-4.0	$\pm 0.8$	4.0	mV	
Offset error drift			$\pm 3.5$		$\mu\text{V}/^\circ\text{C}$	
Gain error	Referenced to voltage at REFIO	-0.75	$\pm 0.25$	0.75	%FSR	
Gain error drift	Referenced to voltage at REFIO		$\pm 6$		ppm/°C	
Power-supply rejection ratio	PSRR At output code FFFFh, related to AVDD		60		dB	
<b>SAMPLING DYNAMICS</b>						
Acquisition time	$t_{ACQ}$	280			ns	
Conversion time per ADC	$t_{CONV}$			1.26	$\mu\text{s}$	
Internal conversion clock period	$t_{CCLK}$			18.5	$t_{CCLK}$	
				68.0	ns	
Throughput rate	$f_{DATA}$	Parallel interface, internal clock and reference		630	kSPS	
		Serial interface, internal clock and reference		450	kSPS	
<b>AC ACCURACY</b>						
Signal-to-noise ratio	SNR	At $f_{IN} = 10\text{kHz}$ , $T_A = -40^\circ\text{C}$ to $+85^\circ\text{C}$	90	91.5		dB
		At $f_{IN} = 10\text{kHz}$ , $T_A = -40^\circ\text{C}$ to $+125^\circ\text{C}$	89	91.5		dB
Signal-to-noise ratio + distortion	SINAD	At $f_{IN} = 10\text{kHz}$ , $T_A = -40^\circ\text{C}$ to $+85^\circ\text{C}$	87	89.5		dB
		At $f_{IN} = 10\text{kHz}$ , $T_A = -40^\circ\text{C}$ to $+125^\circ\text{C}$	86.5	89.5		dB
Total harmonic distortion <sup>(2)</sup>	THD	At $f_{IN} = 10\text{kHz}$ , $T_A = -40^\circ\text{C}$ to $+85^\circ\text{C}$		-94	-90	dB
		At $f_{IN} = 10\text{kHz}$ , $T_A = -40^\circ\text{C}$ to $+125^\circ\text{C}$		-94	-89.5	
Spurious-free dynamic range	SFDR	At $f_{IN} = 10\text{kHz}$ , $T_A = -40^\circ\text{C}$ to $+85^\circ\text{C}$	90	95		dB
		At $f_{IN} = 10\text{kHz}$ , $T_A = -40^\circ\text{C}$ to $+125^\circ\text{C}$	89.5	95		dB
Channel-to-channel isolation		At $f_{IN} = 10\text{kHz}$		100		dB
-3dB small-signal bandwidth		Input Range = $\pm 4 \times V_{REF}$		48		MHz
		Input Range = $\pm 2 \times V_{REF}$		24		MHz

(1) All values are at  $T_A = +25^\circ\text{C}$ .

(2) Calculated on the first nine harmonics of the input frequency.

**ELECTRICAL CHARACTERISTICS (continued)**

Over recommended operating free-air temperature range of  $-40^{\circ}\text{C}$  to  $+125^{\circ}\text{C}$ ,  $\text{AVDD} = 4.5\text{V}$  to  $5.5\text{V}$ ,  $\text{BVDD} = 2.7\text{V}$  to  $5.5\text{V}$ ,  $\text{HVDD} = 10\text{V}$  to  $15\text{V}$ ,  $\text{HVSS} = -15\text{V}$  to  $-10\text{V}$ ,  $\text{V}_{\text{REF}} = 2.5\text{V}$  (internal), and  $f_{\text{DATA}} = \text{maximum}$ , unless otherwise noted.

PARAMETER	CONDITIONS	ADS8555			UNIT	
		MIN	TYP <sup>(1)</sup>	MAX		
<b>ANALOG INPUT</b>						
Bipolar full-scale range	CHXX	RANGE pin/RANGE bit = 0	$-4 \times \text{V}_{\text{REF}}$		$4 \times \text{V}_{\text{REF}}$	V
		RANGE pin/RANGE bit = 1	$-2 \times \text{V}_{\text{REF}}$		$2 \times \text{V}_{\text{REF}}$	V
Input capacitance		Input range = $\pm 4 \times \text{V}_{\text{REF}}$		10		pF
		Input range = $\pm 2 \times \text{V}_{\text{REF}}$		20		pF
Input leakage current		No ongoing conversion			$\pm 1$	$\mu\text{A}$
Aperture delay				5		ns
Aperture delay matching		Common CONVST for all channels		250		ps
Aperture jitter				50		ps
<b>EXTERNAL CLOCK INPUT (XCLK)</b>						
External clock frequency	$f_{\text{XCLK}}$	An external reference must be used for $f_{\text{XCLK}} > f_{\text{CCLK}}$	1	18	20	MHz
External clock duty cycle			45		55	%
<b>REFERENCE VOLTAGE OUTPUT (REF<sub>OUT</sub>)</b>						
Reference voltage	$\text{V}_{\text{REF}}$	2.5V operation, REF <sub>DAC</sub> = 0x3FF	2.485	2.5	2.515	V
		2.5V operation, REF <sub>DAC</sub> = 0x3FF at $+25^{\circ}\text{C}$	2.496	2.5	2.504	V
		3.0V operation, REF <sub>DAC</sub> = 0x3FF	2.985	3.0	3.015	V
		3.0V operation, REF <sub>DAC</sub> = 0x3FF at $+25^{\circ}\text{C}$	2.995	3.0	3.005	V
Reference voltage drift	$d\text{V}_{\text{REF}}/dT$			$\pm 10$		ppm/ $^{\circ}\text{C}$
Power-supply rejection ratio	PSRR			73		dB
Output current	$\text{I}_{\text{REFOUT}}$	DC current	-2		2	mA
Short-circuit current <sup>(3)</sup>	$\text{I}_{\text{REFSC}}$			50		mA
Turn-on settling time	$t_{\text{REFON}}$			10		ms
External load capacitance		At CRE <sub>F_x</sub> pins	4.7	10		$\mu\text{F}$
		At REF <sub>IO</sub> pins	100	470		nF
Tuning range	REF <sub>DAC</sub>	Internal reference output voltage range	$0.2 \times \text{V}_{\text{REF}}$		$\text{V}_{\text{REF}}$	V
REF <sub>DAC</sub> resolution			10			Bits
REF <sub>DAC</sub> differential nonlinearity	$\text{DNL}_{\text{DAC}}$		-1	$\pm 0.1$	1	LSB
REF <sub>DAC</sub> integral nonlinearity	$\text{INL}_{\text{DAC}}$		-2	$\pm 0.1$	2	LSB
REF <sub>DAC</sub> offset error	$\text{V}_{\text{OSDAC}}$	$\text{V}_{\text{REF}} = 0.5\text{V}$ (DAC = 0x0CC)	-4	$\pm 0.65$	4	LSB
<b>REFERENCE VOLTAGE INPUT (REF<sub>IN</sub>)</b>						
Reference input voltage	$\text{V}_{\text{REFIN}}$		0.5	2.5	3.025	V
Input resistance				100		$\text{M}\Omega$
Input capacitance				5		pF
Reference input current					1	$\mu\text{A}$
<b>SERIAL CLOCK INPUT (SCLK)</b>						
Serial clock input frequency	$f_{\text{SCLK}}$		0.1		36	MHz
Serial clock period	$t_{\text{SCLK}}$		0.0278		10	$\mu\text{s}$
Serial clock duty cycle			40		60	%
<b>DIGITAL INPUTS<sup>(4)</sup></b>						
Logic family			CMOS with Schmitt-Trigger			
High-level input voltage			$0.7 \times \text{BVDD}$		$\text{BVDD} + 0.3$	V
Low-level input voltage			$\text{BGND} - 0.3$		$0.3 \times \text{BVDD}$	V
Input current		$\text{V}_\text{I} = \text{BVDD}$ to $\text{BGND}$	-50		+50	nA
Input capacitance				5		pF

(3) Reference output current is not limited internally.

(4) Specified by design.

**ELECTRICAL CHARACTERISTICS (continued)**

Over recommended operating free-air temperature range of  $-40^{\circ}\text{C}$  to  $+125^{\circ}\text{C}$ ,  $\text{AVDD} = 4.5\text{V}$  to  $5.5\text{V}$ ,  $\text{BVDD} = 2.7\text{V}$  to  $5.5\text{V}$ ,  $\text{HVDD} = 10\text{V}$  to  $15\text{V}$ ,  $\text{HVSS} = -15\text{V}$  to  $-10\text{V}$ ,  $V_{\text{REF}} = 2.5\text{V}$  (internal), and  $f_{\text{DATA}} = \text{maximum}$ , unless otherwise noted.

PARAMETER	CONDITIONS	ADS8555			UNIT	
		MIN	TYP <sup>(1)</sup>	MAX		
<b>DIGITAL OUTPUTS<sup>(5)</sup></b>						
Logic family		CMOS				
High-level output voltage	$I_{\text{OH}} = 100\mu\text{A}$	$\text{BVDD} - 0.6$		$\text{BVDD}$	V	
Low-level output voltage	$I_{\text{OH}} = -100\mu\text{A}$	BGND		$\text{BGND} + 0.4$	V	
High-impedance-state output current		-50		50	nA	
Output capacitance			5		pF	
Load capacitance				30	pF	
<b>POWER-SUPPLY REQUIREMENTS</b>						
Analog supply voltage	AVDD	4.5	5.0	5.5	V	
Buffer I/O supply voltage	BVDD	2.7	3.0	5.5	V	
Input positive supply voltage	HVDD	5.0	10.0	16.5	V	
Input negative supply voltage	HVSS	-16.5	-10.0	-5.0	V	
Analog supply current <sup>(6)</sup>	IAVDD	$f_{\text{DATA}} = \text{maximum}$		30.0	36.0	mA
		$f_{\text{DATA}} = 250\text{kSPS}$ (auto-NAP mode)		14.0	16.5	mA
		Auto-NAP mode, no ongoing conversion, internal conversion clock		4.0	6.0	mA
		Power-down mode		0.1	50.0	$\mu\text{A}$
Buffer I/O supply current <sup>(7)</sup>	IBVDD	$f_{\text{DATA}} = \text{maximum}$		0.9	2.0	mA
		$f_{\text{DATA}} = 250\text{kSPS}$ (auto-NAP mode)		0.5	1.5	mA
		Auto-NAP mode, no ongoing conversion, internal conversion clock		0.1	10.0	$\mu\text{A}$
		Power-down mode		0.1	10.0	$\mu\text{A}$
Input positive supply current <sup>(8)</sup>	IHVDD	$f_{\text{DATA}} = \text{maximum}$		3.0	3.5	mA
		$f_{\text{DATA}} = 250\text{kSPS}$ (auto-NAP mode)		1.6	2.0	mA
		Auto-NAP mode, no ongoing conversion, internal conversion clock		0.2	0.3	$\mu\text{A}$
		Power-down mode		0.1	10.0	$\mu\text{A}$
Input negative supply current <sup>(9)</sup>	IHVSS	$f_{\text{DATA}} = \text{maximum}$		3.6	4.0	mA
		$f_{\text{DATA}} = 250\text{kSPS}$ (auto-NAP mode)		1.8	2.2	mA
		Auto-NAP mode, no ongoing conversion, internal conversion clock		0.2	0.25	$\mu\text{A}$
		Power-down mode		0.1	10.0	$\mu\text{A}$
Power dissipation <sup>(10)</sup>		$f_{\text{DATA}} = \text{maximum}$		251.7	298.5	mW
		$f_{\text{DATA}} = 250\text{kSPS}$ (auto-NAP mode)		122.5	150.0	mW
		Auto-NAP mode, no ongoing conversion, internal conversion clock		26.0	38.3	mW
		Power-down mode		3.8	580.0	$\mu\text{W}$

(5) Specified by design.

(6) At  $\text{AVDD} = 5\text{V}$ .

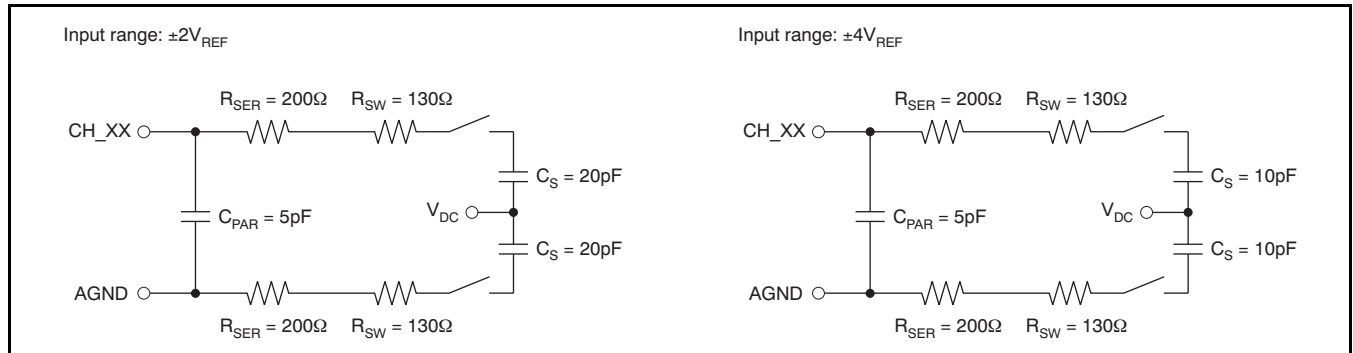
(7) At  $\text{BVDD} = 3\text{V}$ , parallel mode, load capacitance =  $6\text{pF/pin}$ .

(8) At  $\text{HVDD} = 15\text{V}$ .

(9) At  $\text{HVSS} = -15\text{V}$ .

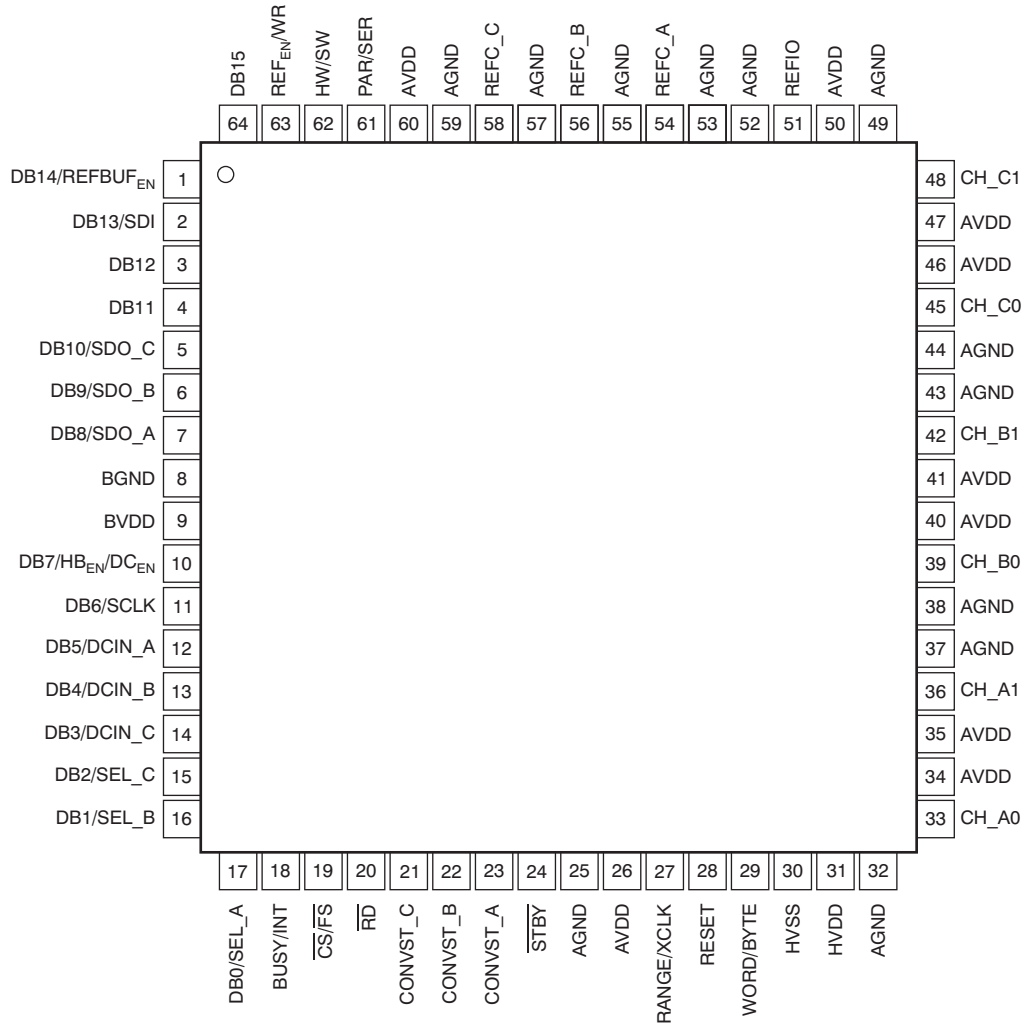
(10) At  $\text{AVDD} = 5\text{V}$ ,  $\text{BVDD} = 3\text{V}$ ,  $\text{HVDD} = 15\text{V}$ , and  $\text{HVSS} = -15\text{V}$ .

### EQUIVALENT INPUT CIRCUITS



### PIN CONFIGURATION

PM PACKAGE  
LQFP-64  
(TOP VIEW)



**PIN DESCRIPTIONS**

NAME	PIN #	TYPE <sup>(1)</sup>	DESCRIPTION	
			PARALLEL INTERFACE (PAR/SER = 0)	SERIAL INTERFACE (PAR/SER = 1)
DB14/REFBUF <sub>EN</sub>	1	DIO/DI	Data bit 14 input/output	Hardware mode (HW/SW = 0): Reference buffers enable input. When low, all reference buffers are enabled (mandatory if internal reference is used). When high, all reference buffers are disabled.  Software mode (HW/SW = 1): Connect to BGND or BVDD. The reference buffers are controlled by bit C24 (REFBUF) in control register (CR).
DB13/SDI	2	DIO/DI	Data bit 13 input/output	Hardware mode (HW/SW = 0): Connect to BGND Software mode (HW/SW = 1): Serial data input
DB12	3	DIO	Data bit 12 input/output	Connect to BGND
DB11	4	DIO	Data bit 11 input/output	Connect to BGND
DB10/SDO <sub>C</sub>	5	DIO/DO	Data bit 10 input/output	When SEL <sub>C</sub> = 1, data output for channel C When SEL <sub>C</sub> = 0, this pin should be tied to BGND
DB9/SDO <sub>B</sub>	6	DIO/DO	Data bit 9 input/output	When SEL <sub>B</sub> = 1, data output for channel B When SEL <sub>B</sub> = 0, this pin should be tied to BGND When SEL <sub>C</sub> = 0, data from channel C1 are also available on this output
DB8/SDO <sub>A</sub>	7	DIO/DO	Data bit 8 input/output	Data output for channel A When SEL <sub>C</sub> = 0, data from channel C0 are also available on this output When SEL <sub>C</sub> = 0 and SEL <sub>B</sub> = 0, SDO <sub>A</sub> acts as the single data output for all channels
BGND	8	P	Buffer I/O ground, connect to digital ground plane	
BVDD	9	P	Buffer I/O supply, connect to digital supply (2.7V to 5.5V). Decouple with a 1µF ceramic capacitor or a combination of 100nF and 10µF ceramic capacitors to BGND.	
DB7/HB <sub>EN</sub> /DC <sub>EN</sub>	10	DIO/DI/DI	Word mode (WORD/BYTE = 0): Data bit 7 input/output  Byte mode (WORD/BYTE = 1): High byte enable input. When high, the high byte is output first on DB[15:8]. When low, the low byte is output first on DB[15:8].	Daisy-chain enable input. When high, DB[5:3] serve as daisy-chain inputs DCIN[A:C]. If daisy-chain mode is not used, connect to BGND.
DB6/SCLK	11	DIO/DI	Word mode (WORD/BYTE = 0): Data bit 6 input/output  Byte mode (WORD/BYTE = 1): Connect to BGND or BVDD	Serial interface clock input (36MHz max)
DB5/DCIN <sub>A</sub>	12	DIO/DI	Word mode (WORD/BYTE = 0): Data bit 5 input/output  Byte mode (WORD/BYTE = 1): Connect to BGND or BVDD	When DC <sub>EN</sub> = 1, daisy-chain data input for channel A When DC <sub>EN</sub> = 0, connect to BGND
DB4/DCIN <sub>B</sub>	13	DIO/DI	Word mode (WORD/BYTE = 0): Data bit 4 input/output  Byte mode (WORD/BYTE = 1): Connect to BGND or BVDD	When SEL <sub>B</sub> = 1 and DC <sub>EN</sub> = 1, daisy-chain data input for channel B When DC <sub>EN</sub> = 0, connect to BGND
DB3/DCIN <sub>C</sub>	14	DIO/DI	Word mode (WORD/BYTE = 0): Data bit 3 input/output  Byte mode (WORD/BYTE = 1): Connect to BGND or BVDD	When SEL <sub>C</sub> = 1 and DC <sub>EN</sub> = 1, daisy-chain data input for channel C When DC <sub>EN</sub> = 0, connect to BGND
DB2/SEL <sub>C</sub>	15	DIO/DI	Word mode (WORD/BYTE = 0): Data bit 2 input/output  Byte mode (WORD/BYTE = 1): Connect to BGND or BVDD	Select SDO <sub>C</sub> input. When high, SDO <sub>C</sub> is active. When low, SDO <sub>C</sub> is disabled.
DB1/SEL <sub>B</sub>	16	DIO/DI	Word mode (WORD/BYTE = 0): Data bit 1 input/output  Byte mode (WORD/BYTE = 1): Connect to BGND or BVDD	Select SDO <sub>B</sub> input. When high, SDO <sub>B</sub> is active. When low, SDO <sub>B</sub> is disabled.

(1) AI = analog input; AIO = analog input/output; DI = digital input; DO = digital output; DIO = digital input/output; and P = power supply.

## PIN DESCRIPTIONS (continued)

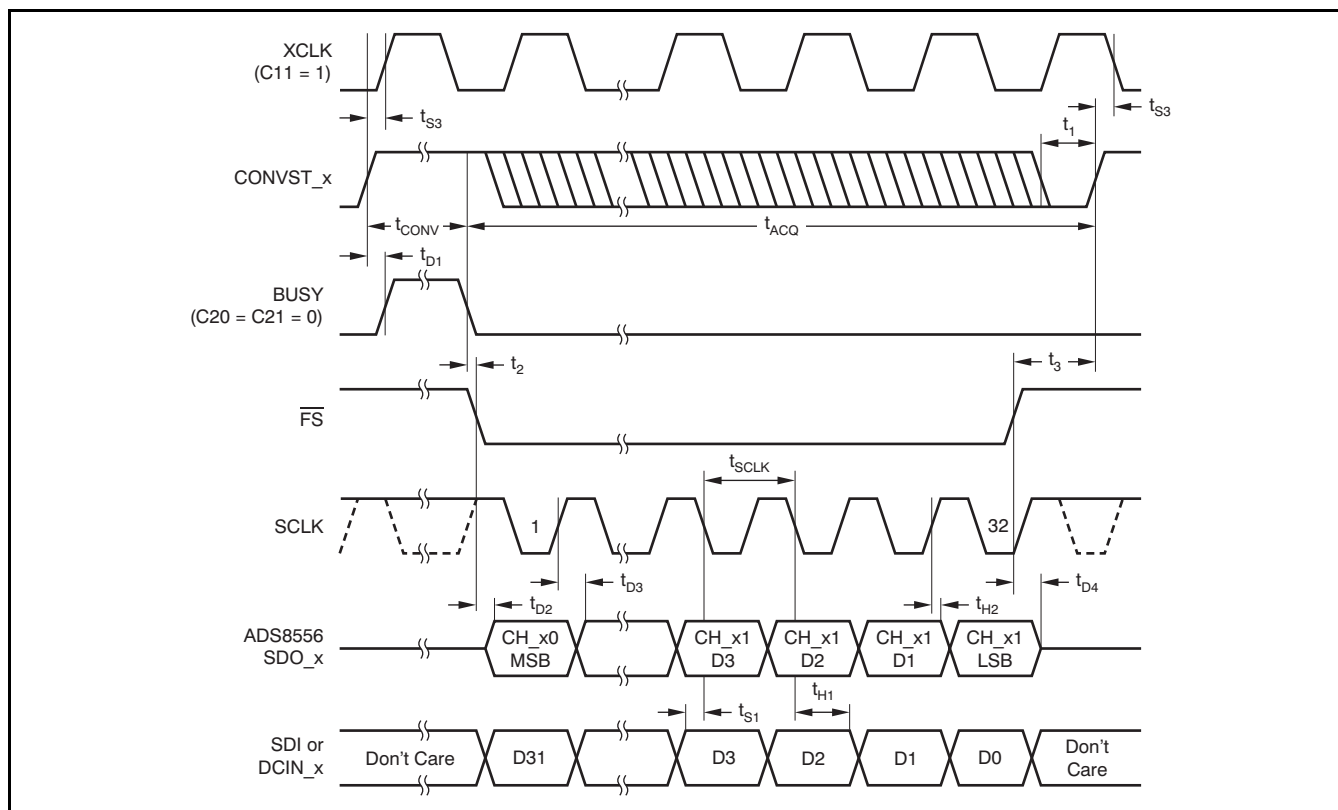
NAME	PIN #	TYPE <sup>(1)</sup>	DESCRIPTION	
			PARALLEL INTERFACE (PAR/SER = 0)	SERIAL INTERFACE (PAR/SER = 1)
DB0/SEL_A	17	DIO/DI	Word mode (WORD/BYTE = 0): Data bit 0 (LSB) input/output  Byte mode (WORD/BYTE = 1): Connect to BGND or BVDD	Select SDO_A input. When high, SDO_A is active. When low, SDO_A is disabled. Should always be high.
BUSY/INT	18	DO	When CR bit C21 = 0 (BUSY/INT), converter busy status output. Transitions high when a conversion has been started and remains high during the entire process. Transitions low when the conversion data of all six channels are latched to the output register and remains low thereafter. In sequential mode (SEQ = 1 in the CR), the BUSY output transitions high when a conversion has been started and goes low for a single conversion clock cycle ( $t_{\text{CLK}}$ ) whenever a channel pair conversion is completed. When bit C21 = 1 (BUSY/INT in CR), interrupt output. This bit transitions high after a conversion has been completed and goes low with the first read data access. The polarity of BUSY/INT output can be changed using bit C20 (BUSY L/H) in the control register.	
$\overline{\text{CS}}/\overline{\text{FS}}$	19	DI/DI	Chip select input. When low, the parallel interface is enabled. When high, the interface is disabled.	Frame synchronization. The falling edge of $\overline{\text{FS}}$ controls the frame transfer.
$\overline{\text{RD}}$	20	DI	Read data input. When low, the parallel data output is enabled. When high, the data output is disabled.	Connect to BGND
CONVST_C	21	DI	Hardware mode (HW/SW = 0): Conversion start of channel pair C. The rising edge of this signal initiates simultaneous conversion of analog signals at inputs CH_C[1:0]. Software mode (HW/SW = 1): Conversion start of channel pair C in sequential mode (CR bit C23 = 1) only; connect to BGND or BVDD otherwise	
CONVST_B	22	DI	Hardware mode (HW/SW = 0): Conversion start of channel pair B. The rising edge of this signal initiates simultaneous conversion of analog signals at inputs CH_B[1:0]. Software mode (HW/SW = 1): Conversion start of channel pair B in sequential mode (CR bit C23 = 1) only; connect to BGND or BVDD otherwise	
CONVST_A	23	DI	Hardware mode (HW/SW = 0): Conversion start of channel pair A. The rising edge of this signal initiates simultaneous conversion of analog signals at inputs CH_A[1:0]. Software mode (HW/SW = 1): Conversion start of all selected channels except in sequential mode (CR bit C23 = 1): Conversion start of channel pair A only	
$\overline{\text{STBY}}$	24	DI	Standby mode input. When low, the entire device is powered down (including the internal clock and reference). When high, the device operates in normal mode.	
AGND	25, 32, 37, 38, 43, 44, 49, 52, 53, 55, 57, 59	P	Analog ground, connect to analog ground plane Pin 25 may have a dedicated ground if the difference between its potential and AGND is always kept within $\pm 300\text{mV}$ .	
AVDD	26, 34, 35, 40, 41, 46, 47, 50, 60	P	Analog power supply (4.5V to 5.5V). Decouple each pin with a 100nF ceramic capacitor to AGND. Use an additional 10 $\mu\text{F}$ capacitor to AGND close to the device but without compromising the placement of the smaller capacitor. Pin 26 may have a dedicated power supply if the difference between its potential and AVDD is always kept within $\pm 300\text{mV}$ .	
RANGE/XCLK	27	DI/DIO	Hardware mode (HW/SW = 0): Input voltage range select input. When low, the analog input range is $\pm 4V_{\text{REF}}$ . When high, the analog input range is $\pm 2V_{\text{REF}}$ . Software mode (HW/SW = 1): External conversion clock input, if CR bit C11 (CLKSEL) is set high or internal conversion clock output, if CR bit C10 (CLKOUT_EN) is set high. If not used, connect to BVDD or BGND.	
RESET	28	DI	Reset input, active high. Aborts any ongoing conversions. Resets the internal control register to 0x000003FF. The RESET pulse should be at least 50ns long.	
WORD/BYTE	29	DI	Output mode selection input. When low, data are transferred in word mode using DB[15:0]. When high, data are transferred in byte mode using DB[15:8] with the byte order controlled by HB <sub>EN</sub> pin while two accesses are required for a complete 16-bit transfer.	Connect to BGND
HVSS	30	P	Negative supply voltage for the analog inputs (–16.5V to –5V). Decouple with a 100nF ceramic capacitor to AGND placed next to the device and a 10 $\mu\text{F}$ capacitor to AGND close to the device but without compromising the placement of the smaller capacitor.	
HVDD	31	P	Positive supply voltage for the analog inputs (5V to 16.5V). Decouple with a 100nF ceramic capacitor to AGND placed next to the device and a 10 $\mu\text{F}$ capacitor to AGND close to the device but without compromising the placement of the smaller capacitor.	
CH_A0	33	AI	Analog input of channel A0. The input voltage range is controlled by RANGE pin in hardware mode or CR bit C26 (RANGE_A) in software mode.	
CH_A1	36	AI	Analog input of channel A1. The input voltage range is controlled by RANGE pin in hardware mode or CR bit C26 (RANGE_A) in software mode.	



**PIN DESCRIPTIONS (continued)**

NAME	PIN #	TYPE <sup>(1)</sup>	DESCRIPTION	
			PARALLEL INTERFACE (PAR/SER = 0)	SERIAL INTERFACE (PAR/SER = 1)
CH_B0	39	AI	Analog input of channel B0. The input voltage range is controlled by RANGE pin in hardware mode or CR bit C27 (RANGE_B) in software mode.	
CH_B1	42	AI	Analog input of channel B1. The input voltage range is controlled by RANGE pin in hardware mode or CR bit C27 (RANGE_B) in software mode.	
CH_C0	45	AI	Analog input of channel C0. The input voltage range is controlled by RANGE pin in hardware mode or CR bit C28 (RANGE_C) in software mode.	
CH_C1	48	AI	Analog input of channel C1. The input voltage range is controlled by RANGE pin in hardware mode or CR bit C28 (RANGE_C) in software mode.	
REFIO	51	AIO	Reference voltage input/output (0.5V to 3.025V). The internal reference is enabled via REF <sub>EN</sub> /WR pin in hardware mode or CR bit C25 (REF <sub>EN</sub> ) in software mode. The output value is controlled by the internal DAC (CR bits C[9:0]). Connect a 470nF ceramic decoupling capacitor between this pin and pin 52.	
REFC_A	54	AI	Decoupling capacitor for reference of channels A. Connect a 10µF ceramic decoupling capacitor between this pin and pin 53.	
REFC_B	56	AI	Decoupling capacitor for reference of channels B. Connect a 10µF ceramic decoupling capacitor between this pin and pin 55.	
REFC_C	58	AI	Decoupling capacitor for reference of channels C. Connect a 10µF ceramic decoupling capacitor between this pin and pin 57.	
PAR/SER	61	DI	Interface mode selection input. When low, the parallel interface is selected. When high, the serial interface is enabled.	
HW/SW	62	DI	Mode selection input. When low, the hardware mode is selected and part works according to the settings of external pins. When high, the software mode is selected in which the device is configured by writing into the control register.	
REF <sub>EN</sub> /WR	63	DI	Hardware mode (HW/SW = 0): Internal reference enable input. When high, the internal reference is enabled (the reference buffers are to be enabled). When low, the internal reference is disabled and an external reference is applied at REFIO.	Hardware mode (HW/SW = 0): Internal reference enable input. When high, the internal reference is enabled (the reference buffers are to be enabled). When low, the internal reference is disabled and an external reference should be applied at REFIO.
			Software mode (HW/SW = 1): Write input. The parallel data input is enabled, when $\overline{CS}$ and WR are low. The internal reference is enabled by the CR bit C25 (REF <sub>EN</sub> ).	Software mode (HW/SW = 1): Connect to BGND or BVDD. The internal reference is enabled by CR bit C25 (REF <sub>EN</sub> ).
DB15	64	DIO	Data bit 15 (MSB) input/output	Connect to BGND

**TIMING CHARACTERISTICS**



**Figure 1. Serial Operation Timing Diagram (All Three SDOs Active)**

**SERIAL INTERFACE TIMING REQUIREMENTS<sup>(1)</sup>**

Over recommended operating free-air temperature range at  $-40^{\circ}\text{C}$  to  $+125^{\circ}\text{C}$ ,  $\text{AVDD} = 5\text{V}$ , and  $\text{BVDD} = 2.7\text{V}$  to  $5.5\text{V}$ , unless otherwise noted.

PARAMETER		ADS8555		UNIT
		MIN	MAX	
$t_{\text{ACQ}}$	Acquisition time	280		ns
$t_{\text{CONV}}$	Conversion time		1.26	$\mu\text{s}$
$t_1$	CONVST_x low time	20		ns
$t_2$	BUSY low to $\overline{\text{FS}}$ low time	0		ns
$t_3$	Bus access finished to next conversion start time	40		ns
$t_{\text{D1}}$	CONVST_x high to BUSY high delay	5	20	ns
$t_{\text{D2}}$	$\overline{\text{FS}}$ low to SDO_x active delay	5	12	ns
$t_{\text{D3}}$	SCLK rising edge to new data valid delay		15	ns
$t_{\text{D4}}$	$\overline{\text{FS}}$ high to SDO_x 3-state delay		10	ns
$t_{\text{H1}}$	Input data to SCLK falling edge hold time	5		ns
$t_{\text{H2}}$	Output data to SCLK rising edge hold time	5		ns
$t_{\text{S1}}$	Input data to SCLK falling edge setup time	3		ns
$t_{\text{S3}}$	CONVST_x high to XCLK falling or rising edge setup time	6		ns
$t_{\text{SCLK}}$	Serial clock period	0.0278	10	$\mu\text{s}$

(1) All input signals are specified with  $t_{\text{R}} = t_{\text{F}} = 1.5\text{ns}$  (10% to 90% of  $\text{BVDD}$ ) and timed from a voltage level of  $(V_{\text{IL}} + V_{\text{IH}})/2$ .

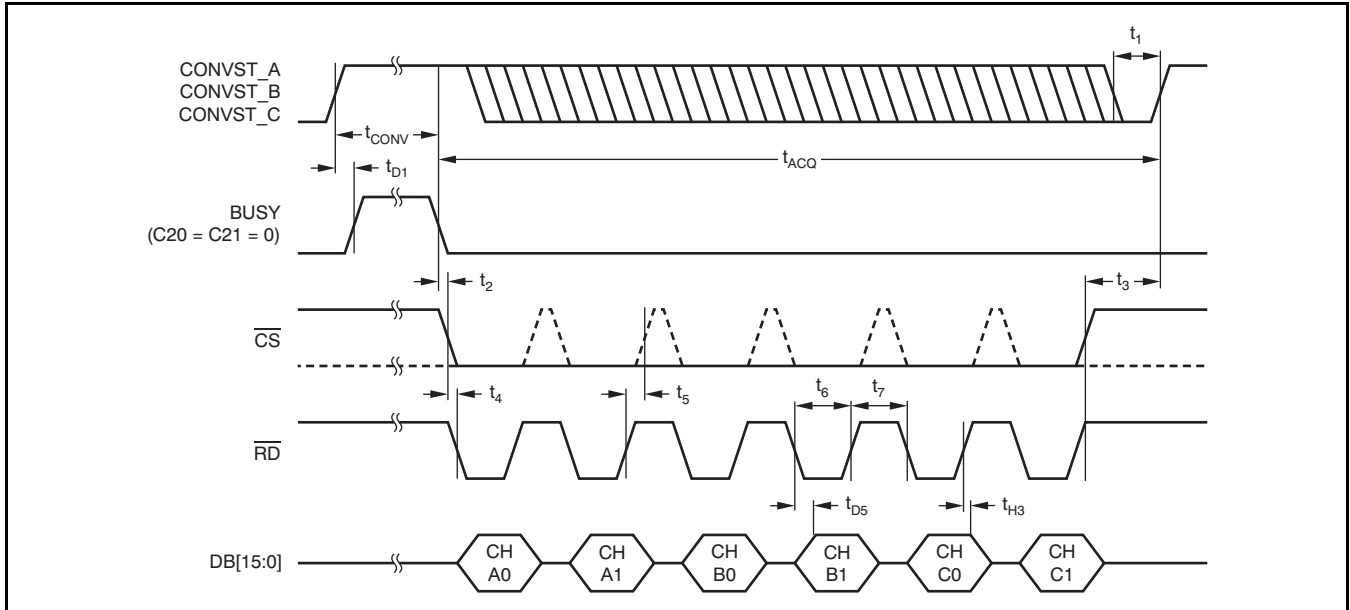


Figure 2. Parallel Read Access Timing Diagram

### PARALLEL INTERFACE TIMING REQUIREMENTS (Read Access)<sup>(1)</sup>

Over recommended operating free-air temperature range at  $-40^{\circ}\text{C}$  to  $+125^{\circ}\text{C}$ ,  $\text{AVDD} = 5\text{V}$ , and  $\text{BVDD} = 2.7\text{V}$  to  $5.5\text{V}$ , unless otherwise noted.

PARAMETER		ADS8555		UNIT
		MIN	MAX	
$t_{\text{ACQ}}$	Acquisition time	280		ns
$t_{\text{CONV}}$	Conversion time		1.26	$\mu\text{s}$
$t_1$	CONVST_x low time	20		ns
$t_2$	BUSY low to $\overline{\text{CS}}$ low time	0		ns
$t_3$	Bus access finished to next conversion start time <sup>(2)</sup>	40		ns
$t_4$	$\overline{\text{CS}}$ low to $\overline{\text{RD}}$ low time	0		ns
$t_5$	$\overline{\text{RD}}$ high to $\overline{\text{CS}}$ high time	0		ns
$t_6$	$\overline{\text{RD}}$ pulse width	30		ns
$t_7$	Minimum time between two read accesses	10		ns
$t_{\text{D1}}$	CONVST_x high to BUSY high delay	5	20	ns
$t_{\text{D5}}$	$\overline{\text{RD}}$ falling edge to output data valid delay		20	ns
$t_{\text{H3}}$	Output data to $\overline{\text{RD}}$ rising edge hold time	5		ns

(1) All input signals are specified with  $t_{\text{R}} = t_{\text{F}} = 1.5\text{ns}$  (10% to 90% of  $\text{BVDD}$ ) and timed from a voltage level of  $(V_{\text{IL}} + V_{\text{IH}})/2$ .

(2) Refer to  $\overline{\text{CS}}$  signal or  $\overline{\text{RD}}$ , whichever occurs first.

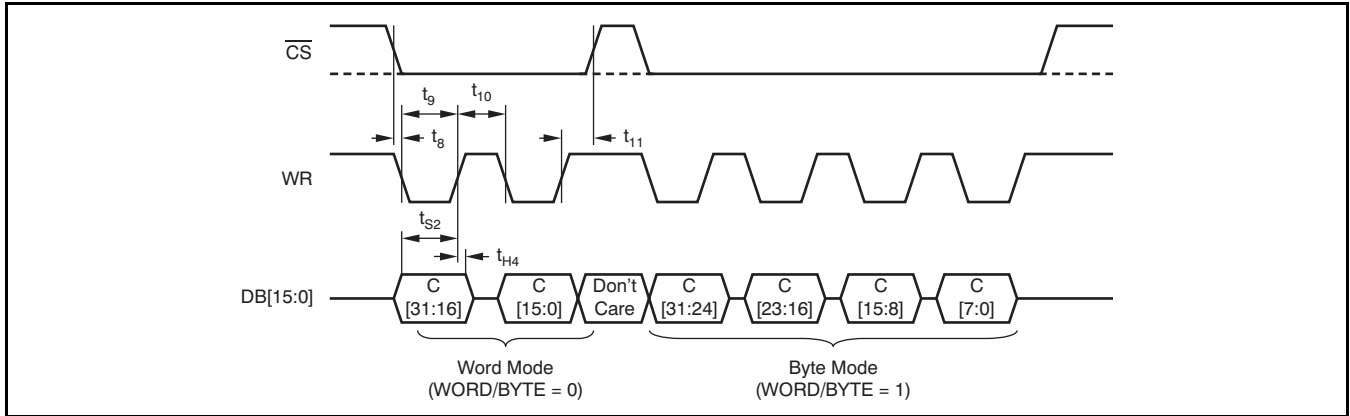


Figure 3. Parallel Write Access Timing Diagram

**PARALLEL INTERFACE TIMING REQUIREMENTS (Write Access)<sup>(1)</sup>**

Over recommended operating free-air temperature range at -40°C to +125°C, AVDD = 5V, and BVDD = 2.7V to 5.5V, unless otherwise noted.

PARAMETER		ADS8555		UNIT
		MIN	MAX	
t <sub>8</sub>	$\overline{CS}$ low to WR low time	0		ns
t <sub>9</sub>	WR low pulse width	15		ns
t <sub>10</sub>	WR high pulse width	10		ns
t <sub>11</sub>	WR high to $\overline{CS}$ high time	0		ns
t <sub>S2</sub>	Output data to WR rising edge setup time	5		ns
t <sub>H4</sub>	Data output to WR rising edge hold time	5		ns

(1) All input signals are specified with t<sub>R</sub> = t<sub>F</sub> = 1.5ns (10% to 90% of BVDD) and timed from a voltage level of (V<sub>IL</sub> + V<sub>IH</sub>)/2.

### TYPICAL CHARACTERISTICS

At +25°C, over entire supply voltage range,  $V_{REF} = 2.5V$  (internal), and  $f_{DATA} = \text{maximum}$ , unless otherwise noted.

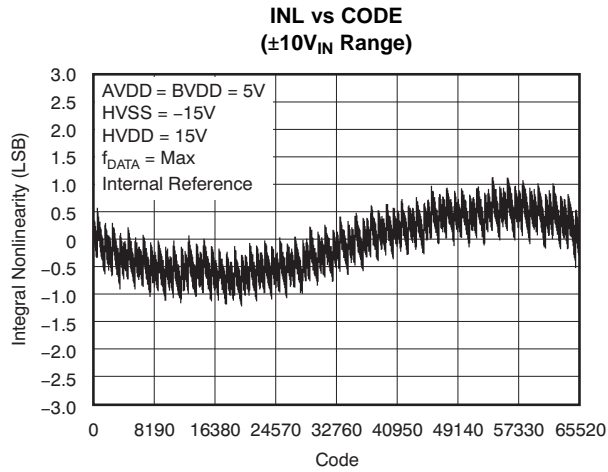


Figure 4.

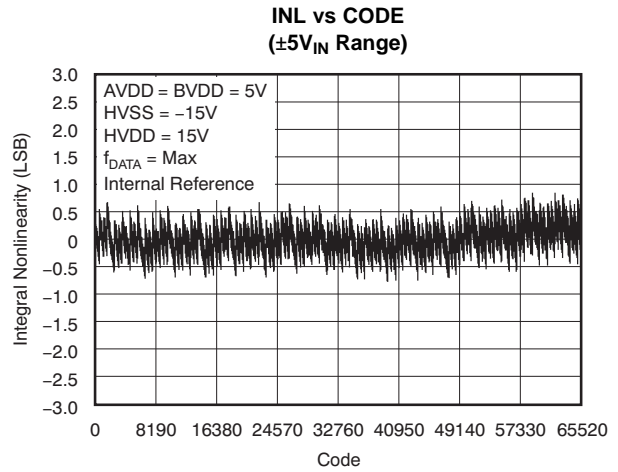


Figure 5.

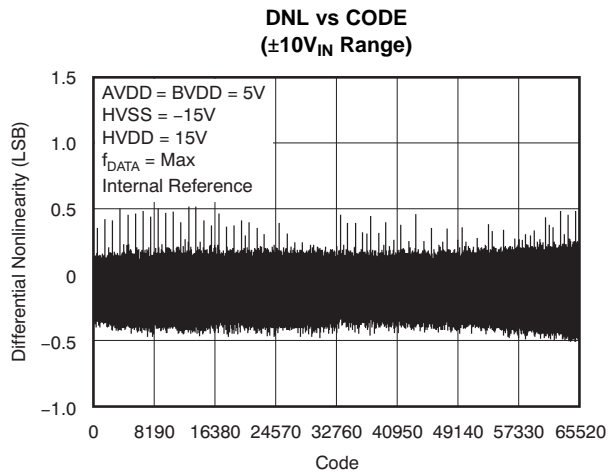


Figure 6.

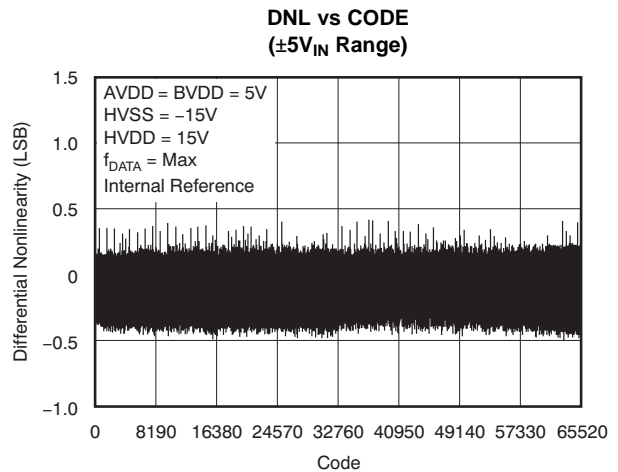


Figure 7.

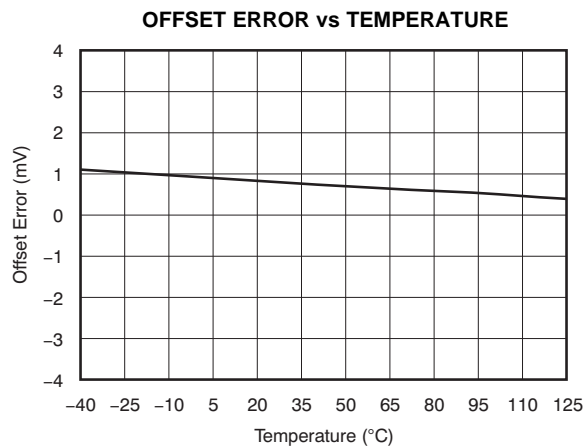


Figure 8.

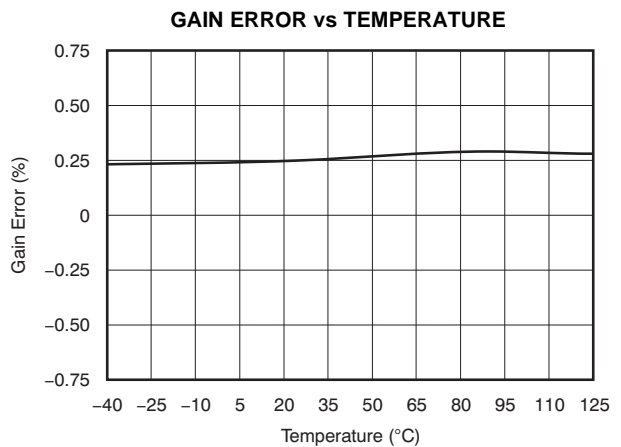


Figure 9.

**TYPICAL CHARACTERISTICS (continued)**

At +25°C, over entire supply voltage range,  $V_{REF} = 2.5V$  (internal), and  $f_{DATA} = \text{maximum}$ , unless otherwise noted.

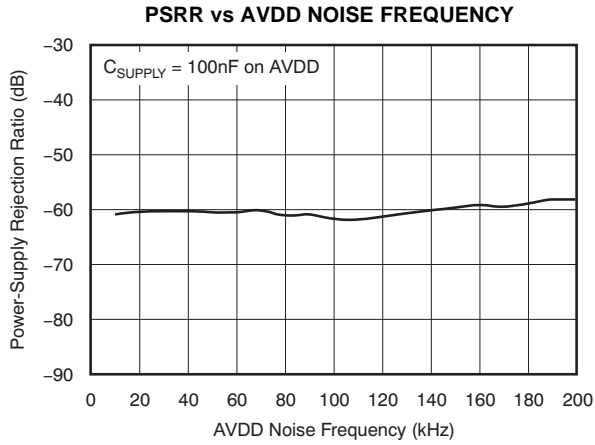


Figure 10.

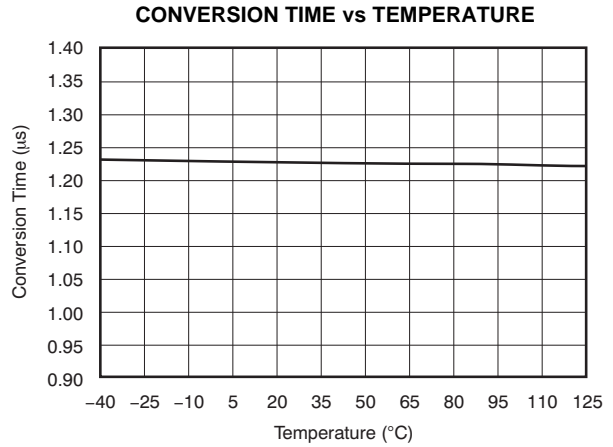


Figure 11.

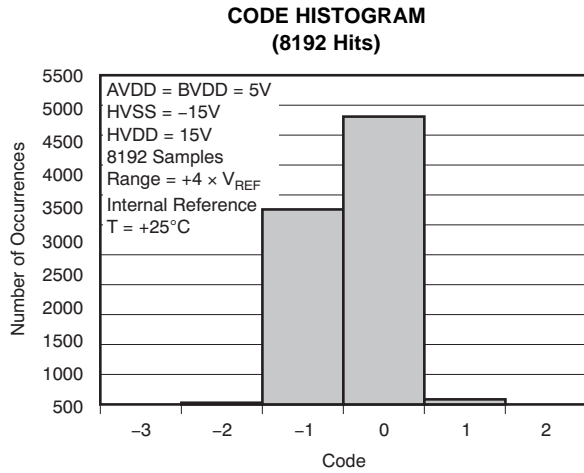


Figure 12.

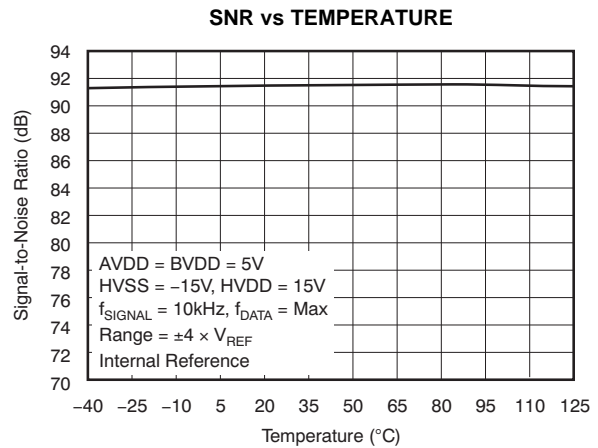


Figure 13.

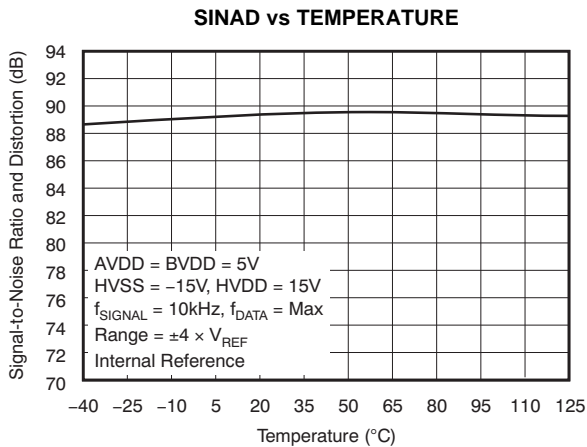


Figure 14.

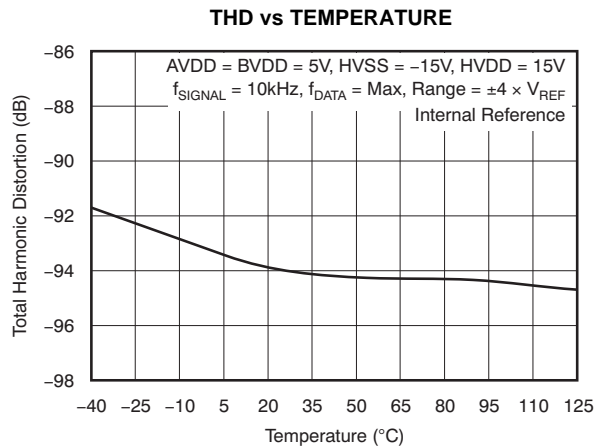


Figure 15.

**TYPICAL CHARACTERISTICS (continued)**

At +25°C, over entire supply voltage range,  $V_{REF} = 2.5V$  (internal), and  $f_{DATA} = \text{maximum}$ , unless otherwise noted.

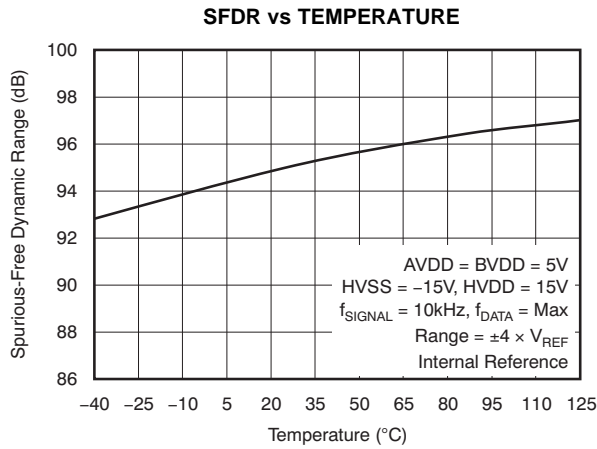


Figure 16.

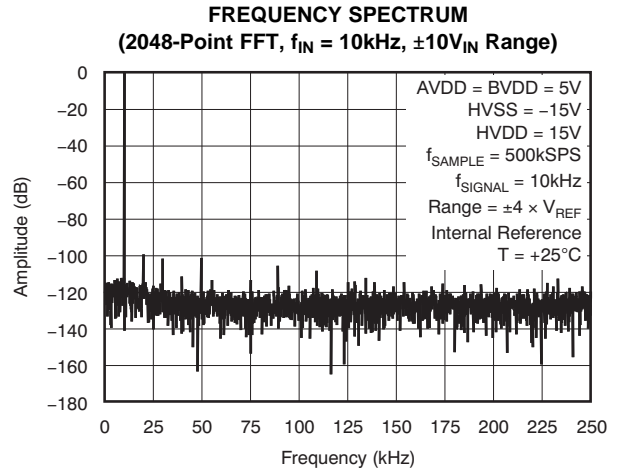


Figure 17.

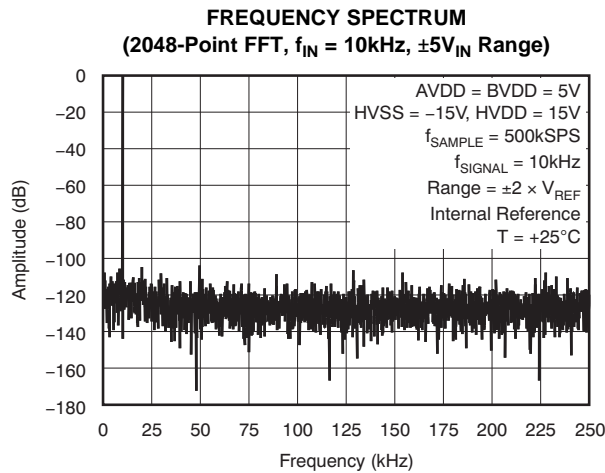


Figure 18.

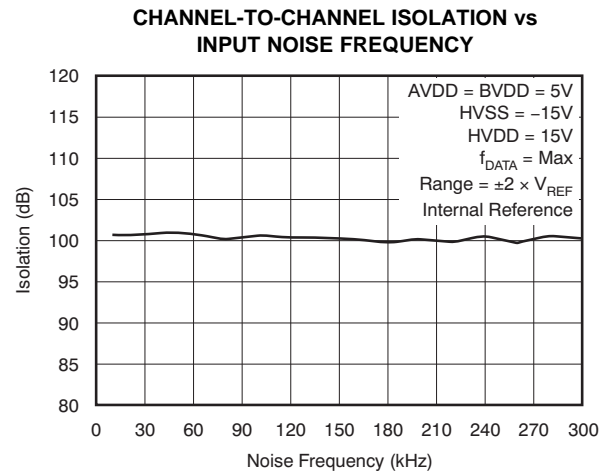


Figure 19.

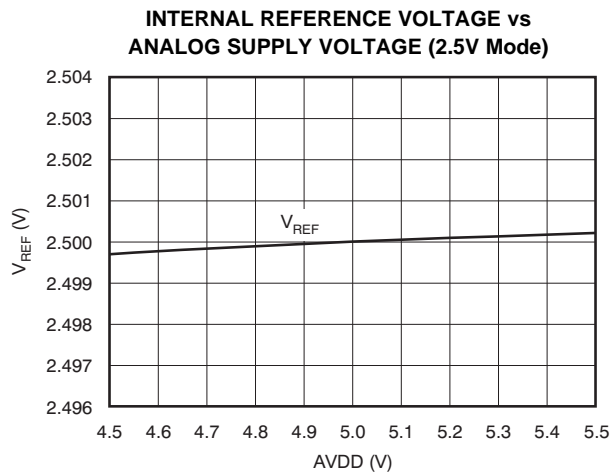


Figure 20.

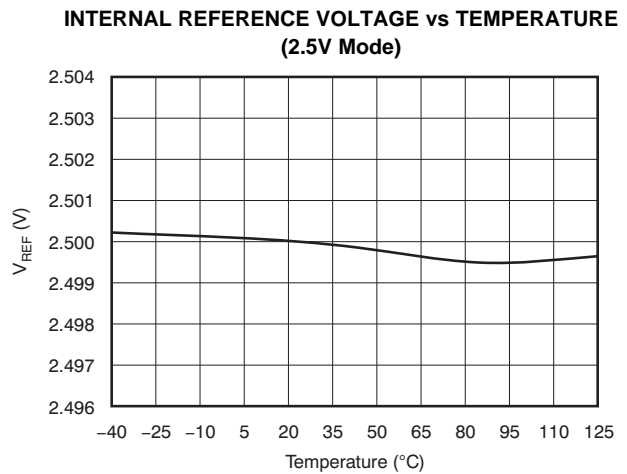
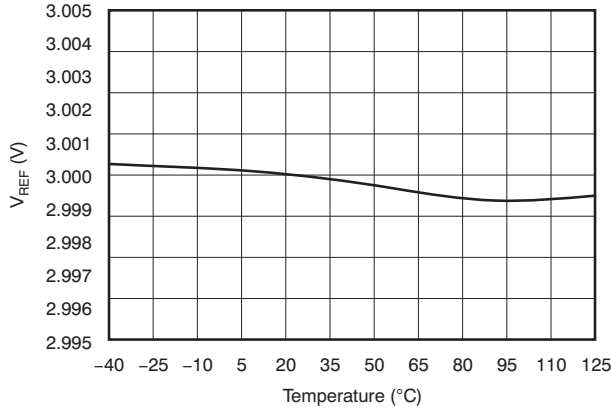


Figure 21.

**TYPICAL CHARACTERISTICS (continued)**

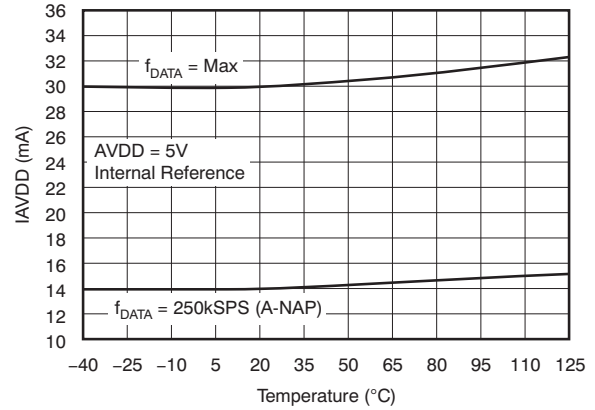
At +25°C, over entire supply voltage range,  $V_{REF} = 2.5V$  (internal), and  $f_{DATA} = \text{maximum}$ , unless otherwise noted.

**INTERNAL REFERENCE VOLTAGE vs TEMPERATURE  
(3.0V Mode)**



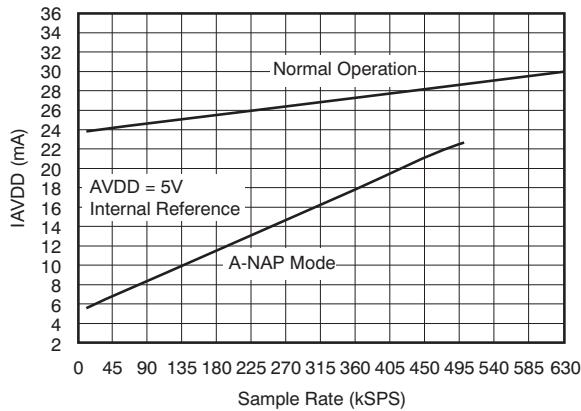
**Figure 22.**

**ANALOG SUPPLY CURRENT vs TEMPERATURE**



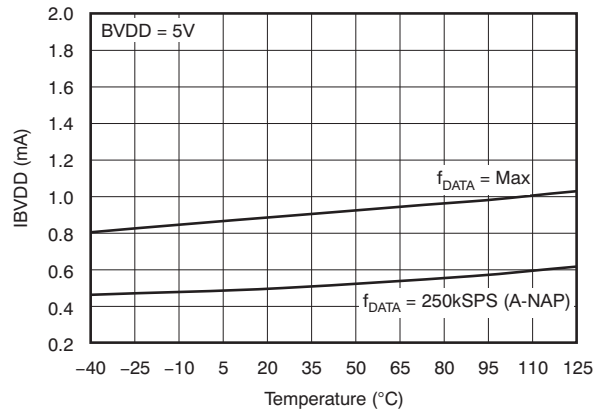
**Figure 23.**

**ANALOG SUPPLY CURRENT vs DATA RATE**



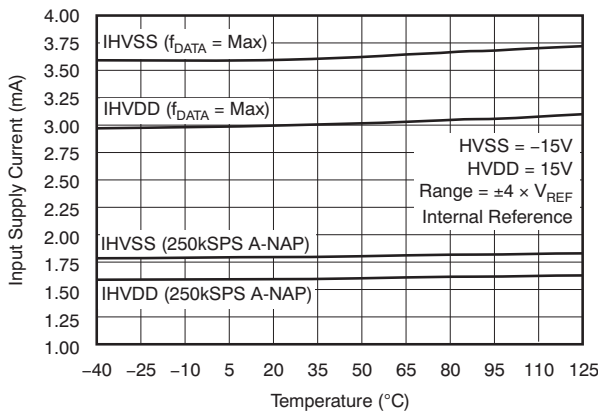
**Figure 24.**

**BUFFER I/O SUPPLY CURRENT vs TEMPERATURE**



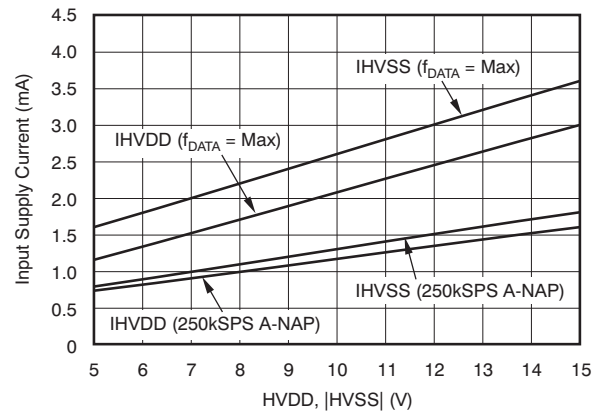
**Figure 25.**

**INPUT SUPPLY CURRENT vs TEMPERATURE**



**Figure 26.**

**INPUT SUPPLY CURRENT vs INPUT SUPPLY VOLTAGE**

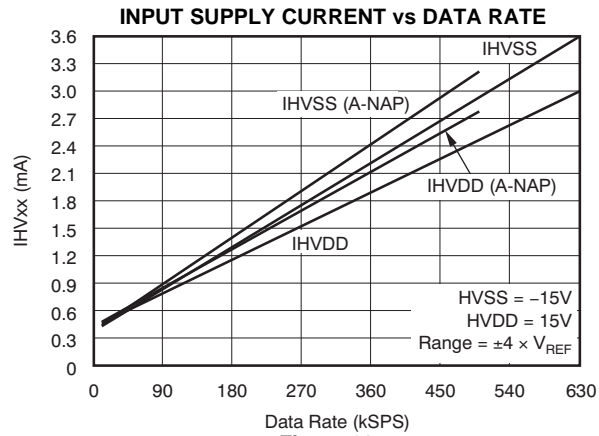


**Figure 27.**



**TYPICAL CHARACTERISTICS (continued)**

At +25°C, over entire supply voltage range,  $V_{REF} = 2.5V$  (internal), and  $f_{DATA} =$  maximum, unless otherwise noted.



**Figure 28.**

## GENERAL DESCRIPTION

The ADS8555 includes six 16-bit analog-to-digital converters (ADCs) that operate based on the successive approximation register (SAR) principle. The architecture is designed on the charge redistribution principle, which inherently includes a sample-and-hold function. The six analog inputs are grouped into three channel pairs. These channel pairs can be sampled and converted simultaneously, preserving the relative phase information of the signals of each pair. Separate conversion start signals allow simultaneous sampling on each channel pair, on four channels or on all six channels.

These devices accept single-ended, bipolar analog input signals in the selectable ranges of  $\pm 4V_{REF}$  or  $\pm 2V_{REF}$  with an absolute value of up to  $\pm 12V$ ; see the [Analog Inputs](#) section.

The devices offer an internal 2.5V/3V reference source followed by a 10-bit digital-to-analog converter (DAC) that allows the reference voltage  $V_{REF}$  to be adjusted in 2.44mV or 2.93mV steps, respectively.

The ADS8555 also offers a selectable parallel or serial interface that can be used in hardware or software mode; see the [Device Configuration](#) section for details.

## ANALOG

This section addresses the analog input circuit, the ADCs and control signals, and the reference design of the device.

### Analog Inputs

The inputs and the converters are of the single-ended, bipolar type. The absolute voltage range can be selected using the RANGE pin (in hardware mode) or RANGE\_x bits (in software mode) in the control register (CR, see [Table 3](#)) to either  $\pm 4V_{REF}$  or  $\pm 2V_{REF}$ . With the reference set to 2.5V (CR bit C18 = 0), the input voltage range can be  $\pm 10V$  or  $\pm 5V$ . With the reference source set to 3V (CR bit C18 = 1), an input voltage range of  $\pm 12V$  or  $\pm 6V$  can be configured. The logic state of the RANGE pin is latched with the falling edge of BUSY (if CR bit C20 = 0).

The input current on the analog inputs depends on the actual sample rate, input voltage, and signal source impedance. Essentially, the current into the analog inputs charges the internal capacitor array only during the sampling period ( $t_{ACQ}$ ). The source of the analog input voltage must be able to charge the input capacitance of 10pF in  $\pm 4V_{REF}$  mode or 20pF in  $\pm 2V_{REF}$  to a 12-, 14-, 16-bit accuracy level within the

acquisition time of 280ns at maximum data rate; see the [Equivalent Input Circuit](#). During the conversion period, there is no further input current flow and the input impedance is greater than 1M $\Omega$ . To ensure a defined start condition, the sampling capacitors of the ADS8555 are pre-charged to a fixed internal voltage, before switching into sampling mode.

To maintain the linearity of the converter, the inputs should always remain within the specified range of  $HVSS - 0.2V$  to  $HVDD + 0.2V$ .

The minimum  $-3dB$  bandwidth of the driving operational amplifier can be calculated using [Equation 1](#):

$$f_{-3dB} = \frac{\ln(2) \times (n + 1)}{2\pi \times t_{ACQ}}$$

Where:

$$n = 16 \text{ (} n \text{ is the resolution of the device)} \quad (1)$$

With a minimum acquisition time of  $t_{ACQ} = 280ns$ , the required minimum bandwidth of the driving amplifier is 6.7MHz. The required bandwidth can be lower if the application allows a longer acquisition time. A gain error occurs if a given application does not fulfill the bandwidth requirement shown in [Equation 1](#).

A driving operational amplifier may not be required, if the impedance of the signal source ( $R_{SOURCE}$ ) fulfills the requirement of [Equation 2](#):

$$R_{SOURCE} < \frac{t_{ACQ}}{C_S \ln(2) \times (n + 1)} - (R_{SER} + R_{SW})$$

Where:

$$n = 16 \text{ (} n \text{ is the resolution of the ADC).}$$

$$C_S = 10pF \text{ is the sample capacitor value for } V_{IN} = \pm 4 \times V_{REF} \text{ mode.}$$

$$R_{SER} = 200\Omega \text{ is the input resistor value.}$$

$$\text{and } R_{SW} = 130\Omega \text{ is the switch resistance value.} \quad (2)$$

With  $t_{ACQ} = 280ns$ , the maximum source impedance should be less than 2.0k $\Omega$  in  $V_{IN} = \pm 4V_{REF}$  mode or less than 0.9k $\Omega$  in  $V_{IN} = \pm 2V_{REF}$  mode. The source impedance can be higher if the application allows longer acquisition time.

### Analog-to-Digital Converter (ADC)

The devices include six ADCs that operate with either an internal or an external conversion clock. The conversion time is 1.26 $\mu s$  with the internal conversion clock. When an external clock and reference are used, the minimum conversion time is 925ns.

### Conversion Clock

The device uses either an internally-generated or an external (XCLK) conversion clock signal (in software mode only). In default mode, the device generates an internal clock. When the CLKSEL bit is set high (bit C11 in the CR), an external conversion clock of up to 20MHz (max) can be applied on pin 27. In both cases, 18.5 clock cycles are required for a complete conversion including the pre-charging of the sample capacitors. The external clock can remain low between conversions.

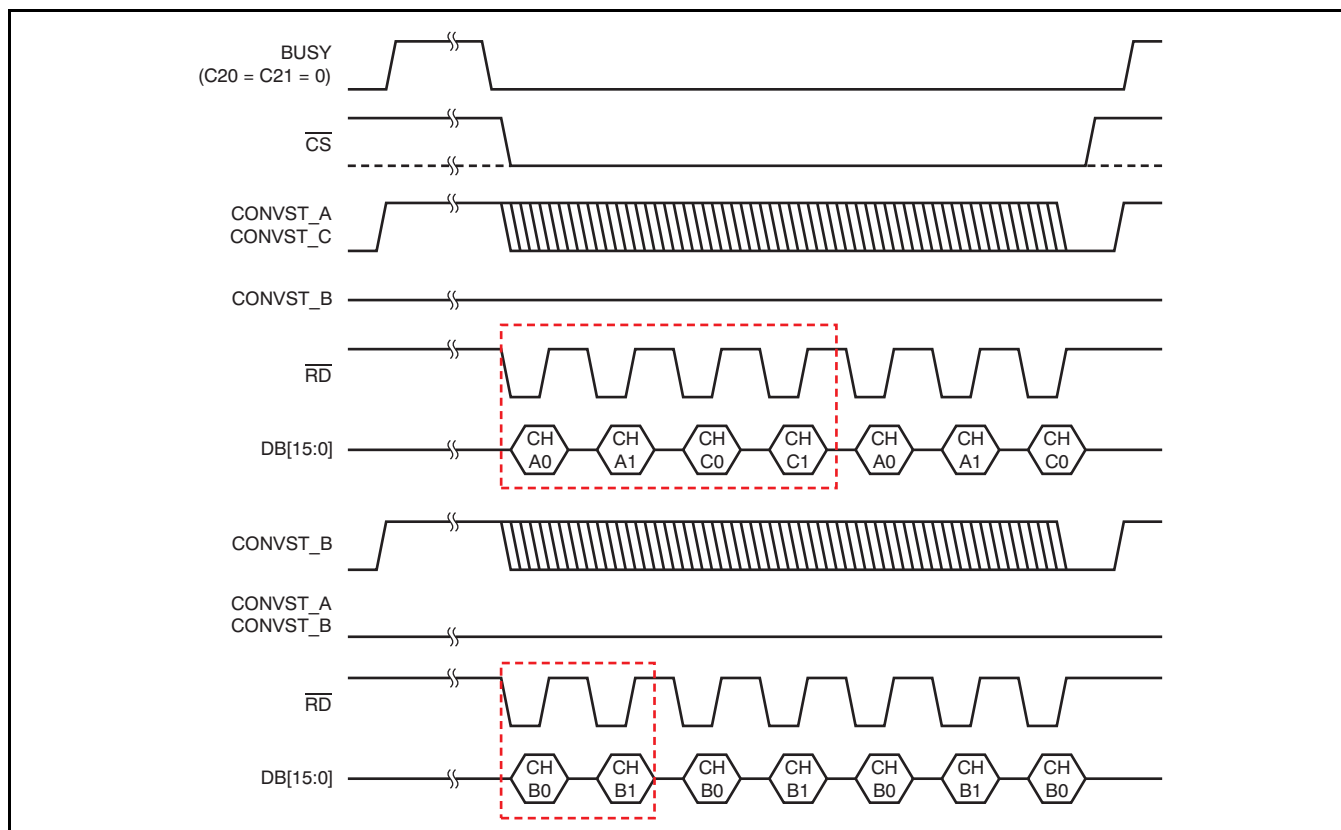
The conversion clock duty cycle should be 50%. However, the ADS8555 functions properly with a duty cycle between 45% and 55%.

### CONVST\_x

The analog inputs of each channel pair (CH\_x0/1) are held with the rising edge of the corresponding CONVST\_x signal. Only in software mode (except sequential mode), CONVST\_A is used for all six ADCs. The conversion automatically starts with the next edge of the conversion clock.

A conversion start must not be issued during an ongoing conversion on the same channel pair. It is allowed to initiate conversions on the other input pairs, however (see the *Sequential Mode* section for more details).

If a parallel interface is used, the behavior of the output port depends on which CONVST\_x signals have been issued. Figure 29 shows examples of different scenarios.



NOTE: Boxed areas indicate the minimum required frame to acquire all data.

Figure 29. Data Output versus CONVST\_x

**BUSY/INT**

The BUSY signal indicates if a conversion is in progress. It goes high with a rising edge of any CONVST\_x signal and goes low when the output data of the last channel pair are available in the respective output register. The readout of the data can be initiated immediately after the falling edge of BUSY.

In sequential mode, the BUSY signal goes low only for one clock cycle. See the [Sequential Mode](#) section for more details.

The INT output goes high upon completion of a conversion process and remains high after first read data access.

The polarity of the BUSY/INT signal can be changed using CR bit C20.

**Reference**

The ADS8555 provides an internal, low-drift 2.5V reference source. To increase the input voltage range, the reference voltage can be switched to 3V mode using the VREF bit (bit C18 in the CR). The reference feeds a 10-bit string-DAC controlled by bits C[9:0] in the control register. The buffered DAC output is connected to the REFIO pin. In this way, the voltage at this pin is programmable in 2.44mV (2.92mV in 3V mode) steps and adjustable to the application needs without additional external components. The actual output voltage can be calculated using [Equation 3](#):

$$V_{REF} = \frac{\text{Range} \times (\text{Code} + 1)}{1024}$$

Where:

Range = the chosen maximum reference voltage output range (2.5V or 3V).

Code = the decimal value of the DAC register content. (3)

[Table 1](#) lists some examples of internal reference DAC settings with a reference range set to 2.5V. However, to ensure proper performance, the DAC output voltage should not be programmed below 0.5V.

The buffered output of the DAC should be decoupled with a 100nF capacitor (minimum); for best performance, a 470nF capacitor is recommended. If the internal reference is placed into power-down (default), an external reference voltage can drive the REFIO pin.

The voltage at the REFIO pin is buffered with three internal amplifiers, one for each ADC pair. The output of each buffer needs to be decoupled with a 10µF capacitor between pin pairs 53 and 54, 55 and 56, and 57 and 58. The 10µF capacitors are available as ceramic 0805-SMD components and in X5R quality.

The internal reference buffers can be powered down to decrease the power dissipation of the device. In this case, external reference drivers can be connected to REFC\_A, REFC\_B, and REFC\_C pins. With 10µF decoupling capacitors, the minimum required bandwidth can be calculated using [Equation 4](#):

$$f_{-3dB} = \frac{\ln(2)}{2\pi \times t_{CONV}} \tag{4}$$

With the minimum  $t_{CONV}$  of 1.26µs, the external reference buffers require a minimum bandwidth of 88kHz.

**Table 1. DAC Setting Examples (2.5V Operation)**

V <sub>REF OUT</sub> (V)	DECIMAL CODE	BINARY CODE	HEXADECIMAL CODE
0.500	204	00 1100 1100	CC
1.25	511	01 1111 1111	1FF
2.500	1023	11 1111 1111	3FF

## DIGITAL

This section describes the digital control and the timing of the device in detail.

### Device Configuration

Depending on the desired mode of operation, the ADS8555 can be configured using the external pins and/or the control register (see [Table 3](#)), as shown in [Table 2](#).

### Parallel Interface

To use the device with the parallel interface, the PAR/SER pin should be held low. The maximum achievable data throughput rate using the internal clock is 630kSPS in this case.

Access to the ADS8555 is controlled as illustrated in [Figure 2](#) and [Figure 3](#).

The device can either operate with a 16-bit (WORD/BYTE pin set low) or an 8-bit (WORD/BYTE pin set high) parallel interface. If 8-bit operation is used, the HB<sub>EN</sub> pin selects if the low-byte (DB7 low) or the high-byte (DB7 high) is available on the data output DB[15:8] first.

### Serial Interface

The serial interface mode is selected by setting the PAR/SER pin high. In this case, each data transfer starts with the falling edge of the frame synchronization input (FS). The conversion results are presented on the serial data output pins SDO<sub>A</sub>,

SDO<sub>B</sub>, and SDO<sub>C</sub> depending on the selections made using the SEL<sub>x</sub> pins. Starting with the most significant bit (MSB), the output data are changed at the rising edge of SCLK, so that the host processor can read it at the following falling edge.

Serial data input SDI are latched at the falling edge of SCLK.

The serial interface can be used with one, two, or three output ports. These ports are enabled with pins SEL<sub>A</sub>, SEL<sub>B</sub>, and SEL<sub>C</sub>. If all three serial data output ports (SDO<sub>A</sub>, SDO<sub>B</sub>, and SDO<sub>C</sub>) are selected, the data can be read with either two 16-bit data transfers or with one 32-bit data transfer. The data of channels CH<sub>x0</sub> are available first, followed by data from channels CH<sub>x1</sub>. The maximum achievable data throughput rate is 450kSPS in this case.

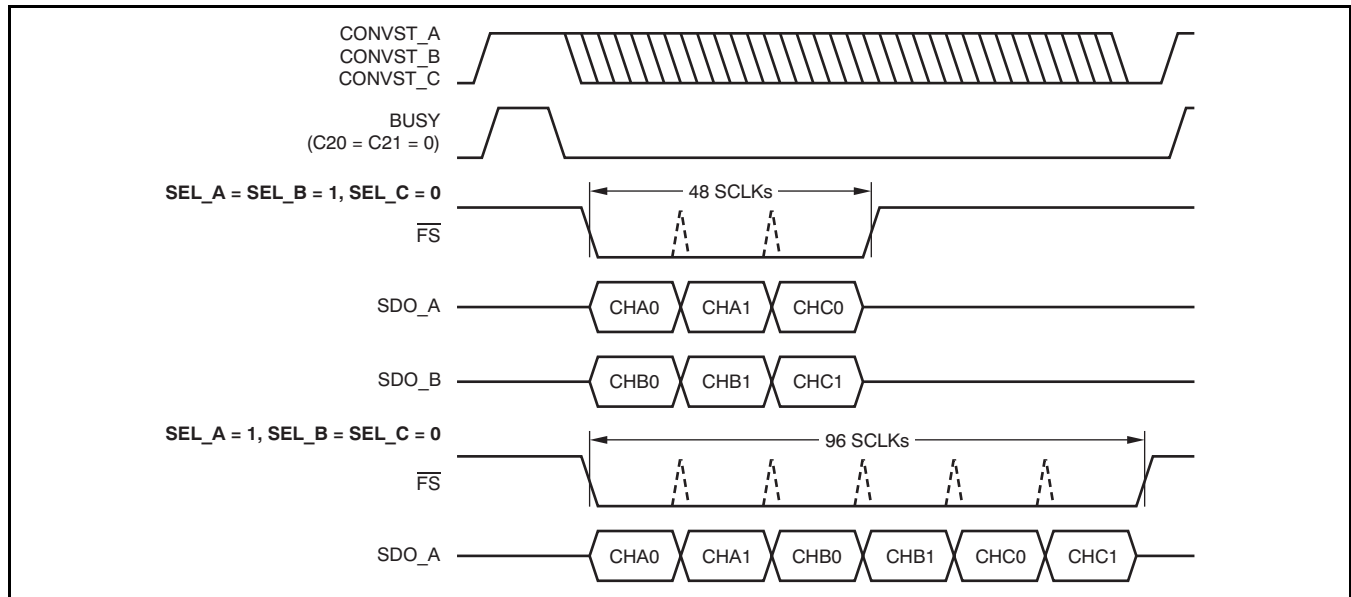
If the application allows a data transfer using two ports only, SDO<sub>A</sub> and SDO<sub>B</sub> outputs are used. The device outputs data from channel CH<sub>A0</sub> followed by CH<sub>A1</sub> and CH<sub>C0</sub> on SDO<sub>A</sub>, while data from channel CH<sub>B0</sub> followed by CH<sub>B1</sub> and CH<sub>C1</sub> occurs on SDO<sub>B</sub>. In this case, a data transfer of three consecutive 16-bit words or one continuous 48-bit word is supported. The maximum achievable data throughput rate is 375kSPS.

The output SDO<sub>A</sub> is selected if only one serial data port is used in the application. The data are available in the following order: CH<sub>A0</sub>, CH<sub>A1</sub>, CH<sub>B0</sub>, CH<sub>B1</sub>, CH<sub>C0</sub>, and, finally CH<sub>C1</sub>. Data can be read using six 16-bit transfers, three 32-bit transfers, or a single 96-bit transfer. The maximum achievable data throughput rate is 250kSPS in this case.

[Figure 1](#) (the serial operation timing diagram) and [Figure 30](#) show all possible scenarios in more detail.

**Table 2. ADS8555 Configuration Settings**

INTERFACE MODE	HARDWARE MODE (HW/SW = 0) CONVERSION START CONTROLLED BY SEPARATE CONVST <sub>x</sub> PINS	SOFTWARE MODE (HW/SW = 1) CONVERSION START CONTROLLED BY CONVST <sub>A</sub> PIN ONLY, EXCEPT IN SEQUENTIAL MODE
Parallel (PAR/SER = 0)	Configuration using pins, optionally, control bits C[22:18], C[15:13], and C[9:0]	Configuration using control register bits C[31:0] only; status of pins 27 (only if used as RANGE input) and 63 is disregarded
Serial (PAR/SER = 1)	Configuration using pins, optionally, control bits C[22:18], C[15:13], and C[9:0]; bits C[31:24] are disregarded	Configuration using control register bits C[31:0] only; status of pins 1, 27 (only if used as RANGE input), and 63 is disregarded; each access requires a control register update via SDI (see the <a href="#">Serial Interface</a> section for details)



**Figure 30. Serial Interface: Data Output with One or Two Active SDOs**

**Hardware Mode**

With the HW/SW input (pin 62) set low, the device functions are controlled via the pins and, optionally, control register bits C[22:18], C[15:13], and C[9:0].

It is possible to generally use the part in hardware mode but to switch it into software mode to initialize or adjust the control register settings (for example, the internal reference DAC) and back to hardware mode thereafter.

**Software Mode**

When the HW/SW input is set high, the device operates in software mode with functionality set only by the control register bits (corresponding pin settings are ignored).

If parallel interface is used, an update of all control register settings is performed by issuing two 16-bit write accesses on pins DB[15:0] in word mode or four 8-bit accesses on pins DB[15:8] in byte mode (to avoid losing data, the entire sequence must be finished before starting a new conversion). CS should be held low during the two or four write accesses to completely update the configuration register. It is also possible to update only the upper eight bits (C[31:24]) using a single write access and pins DB[15:8] in both

word and byte modes. In word mode, the first write access updates only the upper eight bits and stores the lower eight bits (C[23:16]) for an update that takes place with the second write access along with C[15:0].

If the serial interface is used, input data containing control register contents are required with each read access to the device in this mode (combined read/write access). For initialization purposes, all 32 bits of the register should be set (bit C16 must be set to '1' during that access to allow the update of the entire register content). To minimize switching noise on the interface, an update of the first eight bits (C[31:24]) with the remaining bits held low can be performed thereafter.

Figure 31 illustrates the different control register update options.

**Control Register (CR);  
Default Value = 0x00003FF**

The control register settings can only be changed in software mode and are not affected when switching to hardware mode thereafter. The register values are independent from input pin settings. Changes are active with the rising edge of WR in parallel interface mode or with the 32nd falling SCLK edge of the access in which the register content has been updated in serial mode. Optionally, the register can also be partially updated by writing only the upper eight bits (C[31:24]). The CR content is defined in Table 3.

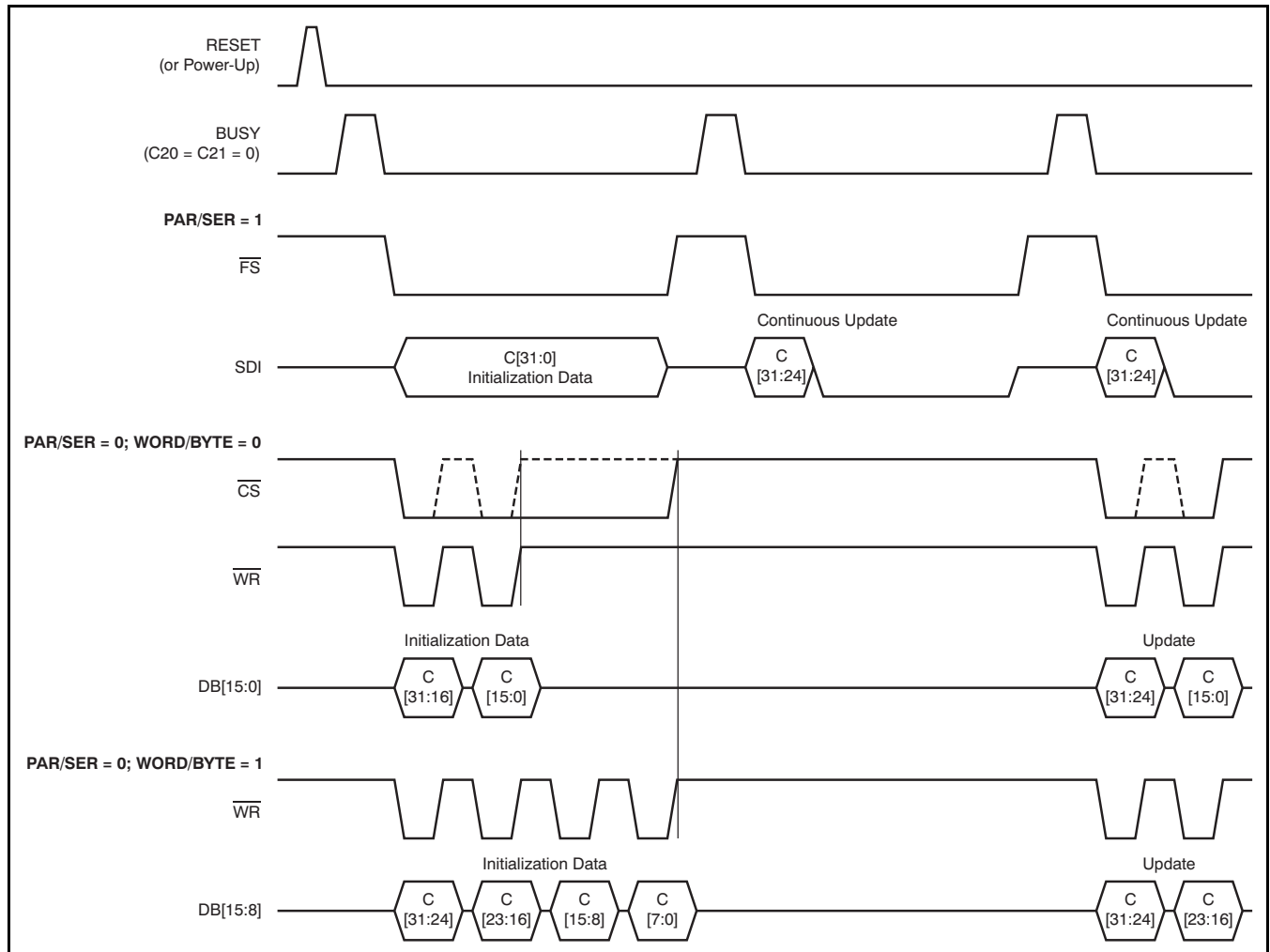


Figure 31. Control Register Update Options

**Table 3. Control Register (CR) Map**

BIT	NAME	DESCRIPTION	ACTIVE IN HARDWARE MODE
C31	CH_C	0 = Channel pair C disabled for next conversion (default) 1 = Channel pair C enabled	No
C30	CH_B	0 = Channel pair B disabled for next conversion (default) 1 = Channel pair B enabled	No
C29	CH_A	0 = Channel pair A disabled for next conversion (default) 1 = Channel pair A enabled	No
C28	RANGE_C	0 = Input voltage range selection for channel pair C: 4V <sub>REF</sub> (default) 1 = Input voltage range selection for channel pair C: 2V <sub>REF</sub>	No
C27	RANGE_B	0 = Input voltage range selection for channel pair B: 4V <sub>REF</sub> (default) 1 = Input voltage range selection for channel pair B: 2V <sub>REF</sub>	No
C26	RANGE_A	0 = Input voltage range selection for channel pair A: 4V <sub>REF</sub> (default) 1 = Input voltage range selection for channel pair A: 2V <sub>REF</sub>	No
C25	REF <sub>EN</sub>	0 = Internal reference source disabled (default) 1 = Internal reference source enabled	No
C24	REFBUF	0 = Internal reference buffers enabled (default) 1 = Internal reference buffers disabled	No
C23	SEQ	0 = Sequential convert start mode disabled (default) 1 = Sequential convert start mode enabled (bit 11 must be '1' in this case)	No
C22	A-NAP	0 = Normal operation (default) 1 = Auto-NAP feature enabled	Yes
C21	BUSY/INT	0 = BUSY/INT pin in normal mode (BUSY) (default) 1 = BUSY/INT pin in interrupt mode (INT)	Yes
C20	BUSY L/H	0 = BUSY/INT active high (default) 1 = BUSY/INT active low	Yes
C19	Don't use	This bit is always set to '0'	—
C18	VREF	0 = Internal reference voltage: 2.5V (default) 1 = Internal reference voltage: 3V	Yes
C17	READ_EN	0 = Normal operation (conversion results available on SDO_x) (default) 1 = Control register contents output on SDO_x with next access	Yes
C16	C23:0_EN	0 = Control register bits C[31:24] update only (serial mode only) (default) 1 = Entire control register update enabled (serial mode only)	Yes
C15	PD_C	0 = Normal operation (default) 1 = Power-down for channel pair C enabled (bit 31 must be '0' in this case)	Yes
C14	PD_B	0 = Normal operation (default) 1 = Power-down for channel pair B enabled (bit 30 must be '0' in this case)	Yes
C13	PD_A	0 = Normal operation (default) 1 = Power-down for channel pair A enabled (bit 29 must be '0' in this case)	Yes
C12	Don't use	This bit is always '0'	—
C11	CLKSEL	0 = Normal operation with internal conversion clock (mandatory in hardware mode) (default) 1 = External conversion clock (applied through pin 27) used	No
C10	CLKOUT_EN	0 = Normal operation (default) 1 = Internal conversion clock available at pin 27	No
C9	REFDAC[9]	Bit 9 (MSB) of reference DAC value; default = 1	Yes
C8	REFDAC[8]	Bit 8 of reference DAC value; default = 1	Yes
C7	REFDAC[7]	Bit 7 of reference DAC value; default = 1	Yes
C6	REFDAC[6]	Bit 6 of reference DAC value; default = 1	Yes
C5	REFDAC[5]	Bit 5 of reference DAC value; default = 1	Yes
C4	REFDAC[4]	Bit 4 of reference DAC value; default = 1	Yes
C3	REFDAC[3]	Bit 3 of reference DAC value; default = 1	Yes
C2	REFDAC[2]	Bit 2 of reference DAC value; default = 1	Yes
C1	REFDAC[1]	Bit 1 of reference DAC value; default = 1	Yes
C0	REFDAC[0]	Bit 0 (LSB) of reference DAC value; default = 1	Yes



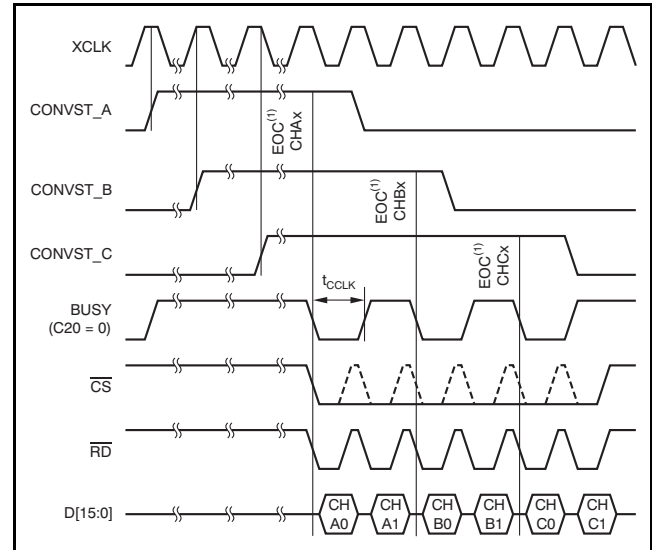
### Daisy-Chain Mode (in Serial Mode Only)

The serial interface of the ADS8555 supports a daisy-chain feature that allows cascading of multiple devices to minimize the board space requirements and simplify routing of the data and control lines. In this case, pins DB5/DCIN\_A, DB4/DCIN\_B, and DB3/DCIN\_C are used as serial data inputs for channels A, B, and C, respectively. Figure 33 shows an example of a daisy-chain connection of three devices sharing a common CONVST line to allow simultaneous sampling of 18 analog channels along with the corresponding timing diagram. To activate the daisy-chain mode, the DC<sub>EN</sub> pin must be pulled high. As a result of the time specifications  $t_{S1}$ ,  $t_{H1}$ , and  $t_{D3}$ , the maximum SCLK frequency that may be used in daisy-chain mode is 27.78MHz (assuming 50% duty cycle).

### Sequential Mode (in Software Mode with External Conversion clock Only)

The three channel pairs of the ADS8555 can be run in sequential mode, with the corresponding CONVST\_x signals interleaved, when an external clock is used. To activate the device in sequential mode, CR bits C11 (CLKSEL) and C23 (SEQ) must be asserted. In this case, the BUSY output indicates a finished conversion by going low (when C20 = 0) or high (when C20 = 1) for only a single conversion clock cycle in case of ongoing conversions of any other channel pairs. Figure 32 shows the behavior of the BUSY output in this mode. Each conversion start

should be initiated during the high phase of the external clock, as shown in Figure 32. The minimum time required between two CONVST\_x pulses in the time required to read the conversion result of a channel (pair).



(1) EOC = end of conversion (internal signal).

Figure 32. Sequential Mode Timing

### Output Data Format

The data output format of the ADS8555 is binary twos complement, as shown in Table 4.

Table 4. Output Data Format

DESCRIPTION	INPUT VOLTAGE VALUE	BINARY CODE (HEXADECIMAL CODE)
Positive full-scale	+4V <sub>REF</sub> or +2V <sub>REF</sub>	0111 1111 1111 1111 (7FFF)
Midscale + 0.5LSB	V <sub>REF</sub> /(2 × resolution)	0000 0000 0000 0000 (0000)
Midscale – 0.5LSB	-V <sub>REF</sub> /(2 × resolution)	1111 1111 1111 1111 (FFFF)
Negative full-scale	-4V <sub>REF</sub> or -2V <sub>REF</sub>	1000 0000 0000 0000 (8000)

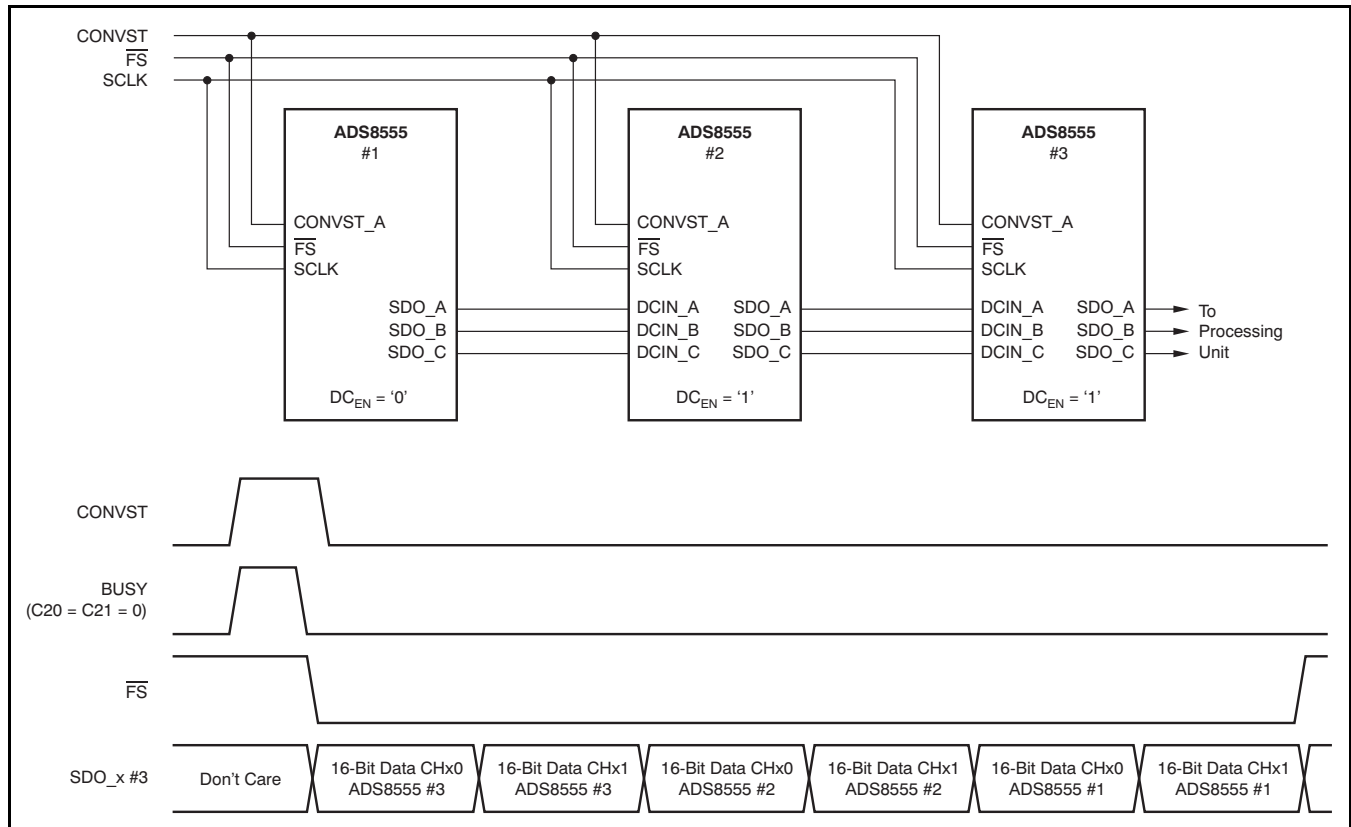


Figure 33. Example of Daisy-Chaining Three ADS8555s

**Reset and Power-Down Modes**

The device supports two reset mechanisms: a power-on reset (POR) and a pin-controlled reset (RESET) that can be issued using pin 28. Both the POR and RESET act as a master reset that causes any ongoing conversion to be interrupted, the control register content to be set to the default value, and all channels to be switched into sample mode.

When the device is powered up, the POR sets the device in default mode when AVDD reaches 1.5V. When the device is powered down, the POR circuit requires AVDD to remain below 125mV at least 350ms to ensure proper discharging of internal capacitors and to ensure correct behavior of the device when powered up again. If the AVDD drops below 400mV but remains above 125mV (see the *undefined zone* in Figure 34), the internal POR capacitor does not discharge fully and the device requires a pin-controlled reset to perform correctly after the recovery of AVDD.

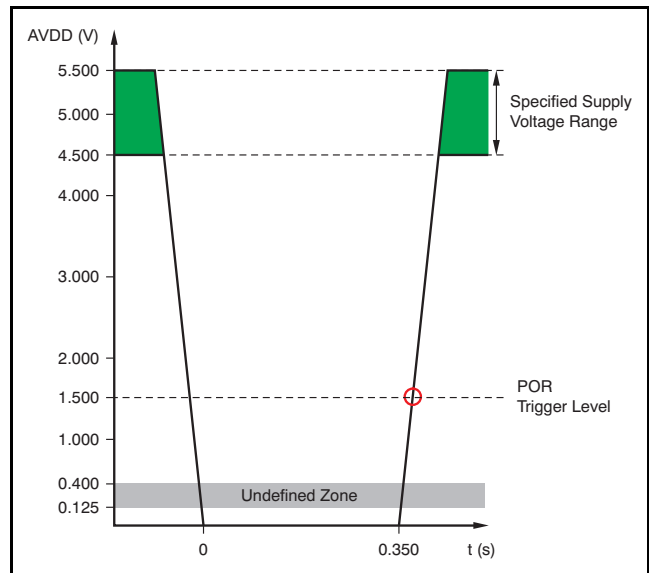


Figure 34. POR: Relevant Voltage Levels

The entire device, except the digital interface, can be powered down by pulling the  $\overline{\text{STBY}}$  pin low (pin 24). As the digital interface section remains active, data can be retrieved while in stand-by mode. To power the part on again, the  $\overline{\text{STBY}}$  pin must be brought high. The device is ready to start a new conversion after 10ms required to activate and settle the internal circuitry. This user-controlled approach can be used in applications that require lower data throughput rates and lowest power dissipation. The content of CR is not changed during standby mode. It is not required to perform a pin-controlled reset after returning to normal operation.

While the standby mode impacts the entire device, each device channel pair can also be individually switched off by setting control register bits C[15:13] (PD\_x). When reactivated, the relevant channel pair requires 10ms to fully settle before starting a new conversion. The internal reference remains active, except all channels are powered down at the same time.

The auto-NAP power-down mode is enabled by asserting the A-NAP bit (C22) in the control register. If the auto-NAP mode is enabled, the ADS8555 automatically reduces the current requirement to 6mA after finishing a conversion; thus, the end of conversion actually activates the power-down mode. Triggering a new conversion by applying a positive CONVST\_x edge puts the device back into normal operation, starts the acquisition of the analog input, and automatically starts a new conversion six conversion clock cycles later. Therefore, a complete conversion cycle takes 24.5 conversion clock cycles; thus, the maximum throughput rate in auto-NAP power-down mode is reduced to a maximum of 380kSPS in serial mode, and 500kSPS in parallel mode. The internal reference remains active during the auto-NAP mode. Table 5 compares the analog current requirements of the device in the different modes.

**Table 5. Maximum Analog Current ( $I_{\text{AVDD}}$ ) Demand of the ADS8555**

OPERATIONAL MODE	ANALOG CURRENT ( $I_{\text{AVDD}}$ )	ENABLED BY	ACTIVATED BY	NORMAL OPERATION TO POWER-DOWN DELAY	RESUMED BY	POWER-UP TO NORMAL OPERATION DELAY	POWER-UP TO NEXT CONVERSION START TIME	DISABLED BY
Normal operation	12mA/channel pair (maximum data rate)	Power on	CONVST_x	—	—	—	—	Power off
Auto-NAP	6mA	A-NAP = 1 (CR bit)	Each end of conversion	At falling edge of BUSY	CONVST_x	Immediate	$6 \times t_{\text{CLK}}$	A-NAP = 0 (CR bit)
Power-down of channel pair x	16 $\mu$ A (channel pair x)	HW/SW = 1	PD_x = 1 (CR bit)	Immediate	PD_x = 0 (CR bit)	Immediate after completing register update	10ms	HW/SW = 0
Stand-by	50 $\mu$ A	Power on	$\overline{\text{STBY}} = 0$	Immediate	$\overline{\text{STBY}} = 1$	Immediate	10ms	Power off

## GROUNDING

All GND pins should be connected to a clean ground reference. This connection should be kept as short as possible to minimize the inductance of this path. It is recommended to use vias connecting the pads directly to the ground plane. In designs without ground planes, the ground trace should be kept as wide as possible. Avoid connections that are too close to the grounding point of a microcontroller or digital signal processor.

Depending on the circuit density on the board, placement of the analog and digital components, and the related current loops, a single solid ground plane for the entire printed circuit board (PCB) or a dedicated analog ground area may be used. In case of a separated analog ground area, ensure a low-impedance connection between the analog and digital ground of the ADC by placing a bridge underneath (or next) to the ADC. Otherwise, even short undershoots on the digital interface lower than  $-300\text{mV}$  lead to the conduction of ESD diodes causing current flow through the substrate and degrading the analog performance.

During PCB layout, care should be taken to avoid any return currents crossing sensitive analog areas or signals.

## SUPPLY

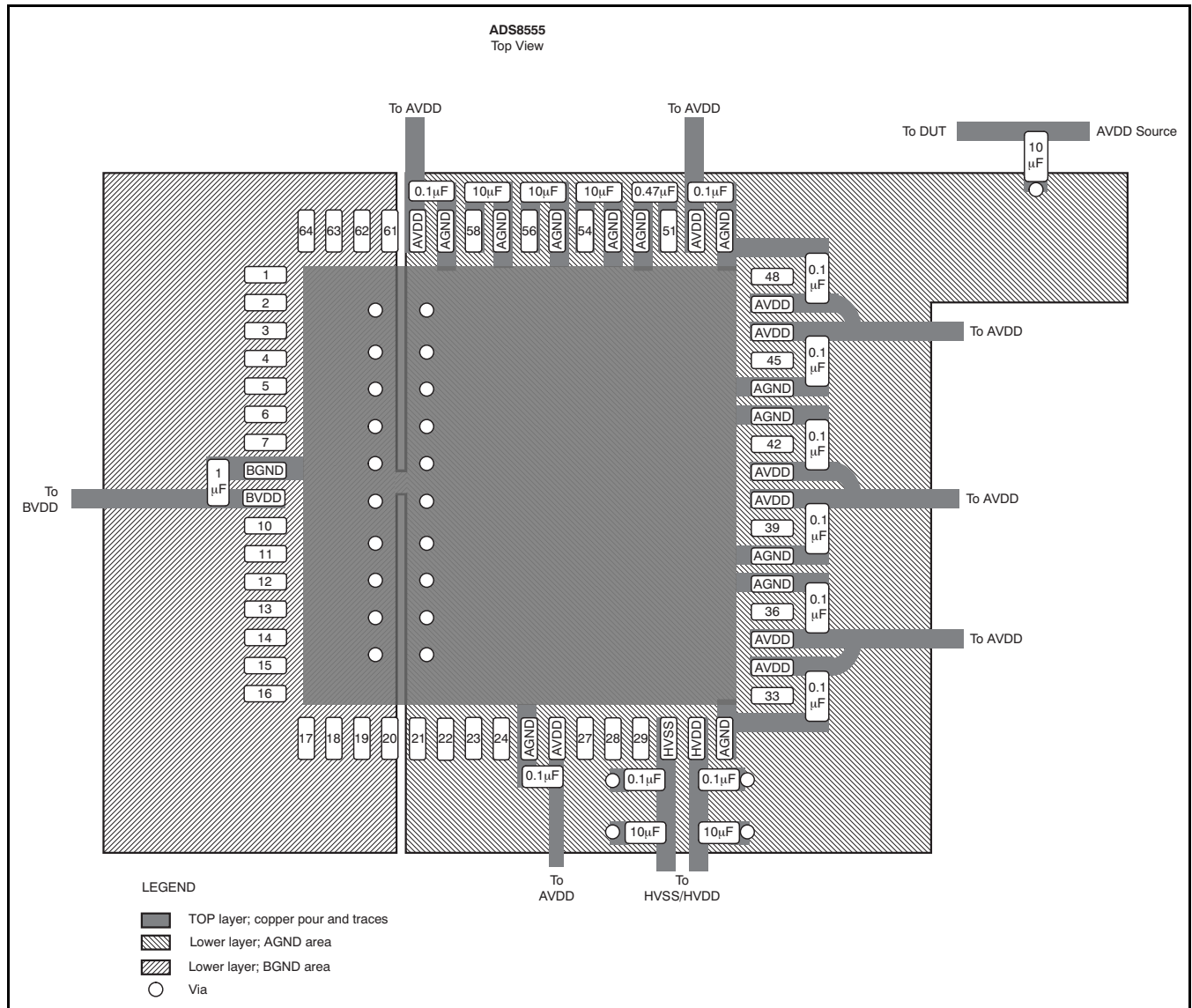
The ADS8555 requires four separate supplies: the analog supply for the ADC (AVDD), the buffer I/O supply for the digital interface (BVDD), and the high-voltage supplies driving the analog input circuitry (HVDD and HVSS). Generally, there are no specific requirements with regard to the power sequencing of the device. However, when HVDD is supplied before AVDD, the internal ESD structure conducts, increasing IHVDD beyond the specified value.

The AVDD supply provides power to the internal circuitry of the ADC. It can be set in the range of 4.5V to 5.5V. Because the supply current of the device is typically 30mA, it is not possible to use a passive filter between the digital board supply of the application and the AVDD pin. A linear regulator is recommended to generate the analog supply voltage. Each AVDD pin should be decoupled to AGND with a 100nF capacitor. In addition, a single 10 $\mu\text{F}$  capacitor should be placed close to the device but without compromising the placement of the smaller capacitor. Optionally, each supply pin can be decoupled using a 1 $\mu\text{F}$  ceramic capacitor without the requirement for a 10 $\mu\text{F}$  capacitor.

The BVDD supply is only used to drive the digital I/O buffers and can be set in the range of 2.7V to 5.5V. This range allows the device to interface with most state-of-the-art processors and controllers. To limit the noise energy from the external digital circuitry to the device, BVDD should be filtered. A 10 $\Omega$  resistor can be placed between the external digital circuitry and the device, because the current drawn is typically below 2mA (depending on the external loads). A bypass ceramic capacitor of 1 $\mu\text{F}$  (or alternatively, a pair of 100nF and 10 $\mu\text{F}$  capacitors) should be placed between the BVDD pin and pin 8.

The high-voltage supplies (HVSS and HVDD) are connected to the analog inputs. Noise and glitches on these supplies directly couple into the input signals. Place a 100nF ceramic decoupling capacitor, located as close to the device as possible, between each of pins 30, 31, and AGND. An additional 10 $\mu\text{F}$  capacitor is used that should be placed close to the device but without compromising the placement of the smaller capacitor.

[Figure 35](#) shows a layout recommendation for the ADS8555 along with the proper decoupling and reference capacitor placement and connections.



- (1) All 0.1 μF, 0.47 μF, and 1 μF capacitors should be placed as close to the ADS8555 as possible.
- (2) All 10 μF capacitors should be close to the device but without compromising the placement of the smaller capacitors.

**Figure 35. Layout Recommendation**

### APPLICATION INFORMATION

The minimum configuration of the ADS8555 in parallel mode is shown in Figure 36. In this case, the BUSY signal is not used while the SW generates the required signals in a timely manner. TI's OPA2211 is used as an input driver, supporting bandwidth that allows running the device at the maximum data rate.

The actual values of the resistors and capacitors depend on the bandwidth and performance requirements of the application. For highest data rate, it is recommended to use a filter capacitor value of 1nF and a series resistor of 22Ω to fulfill the settling requirements to an accuracy level of 16 bits within the acquisition time of 280ns.

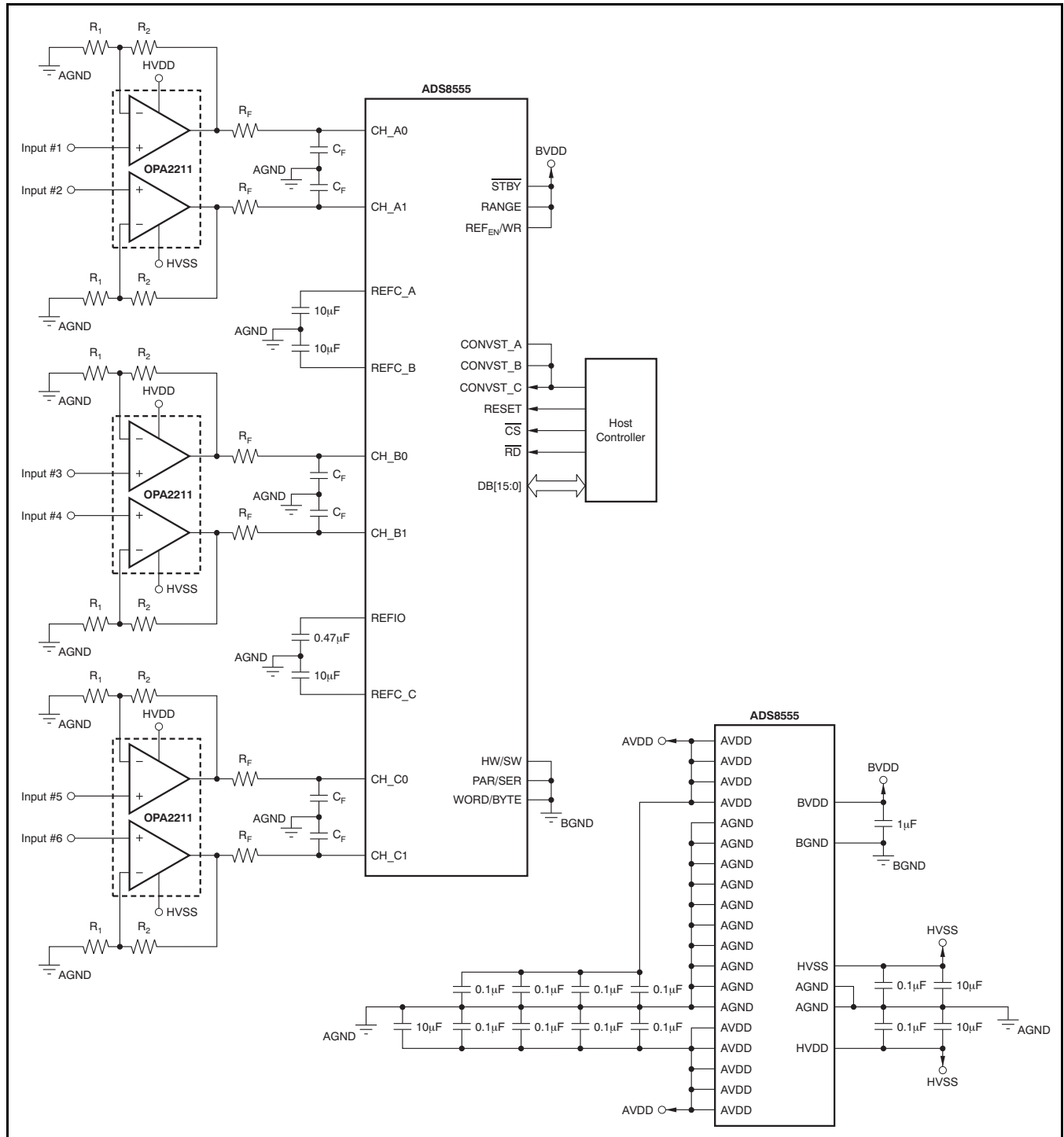


Figure 36. Minimum Configuration in Parallel Interface Mode

## REVISION HISTORY

NOTE: Page numbers for previous revisions may differ from page numbers in the current version.

<b>Changes from Revision A (January 2011) to Revision B</b>	<b>Page</b>
• Changed description of pin 18 in Pin Descriptions table .....	8
• Added clarification of INT in <i>BUSY/INT</i> section .....	20
• Changed bit C20 in <a href="#">Table 3</a> .....	24
• Updated <a href="#">Table 5</a> .....	27

<b>Changes from Original (December 2010) to Revision A</b>	<b>Page</b>
• Changed description of CONVST_C, CONVST_B, and CONVST_A pins in Pin Descriptions table .....	8
• Changed description of <i>CONVST_x</i> section .....	19
• Changed first paragraph of <i>BUSY/INT</i> section .....	20

**PACKAGING INFORMATION**

Orderable Device	Status <sup>(1)</sup>	Package Type	Package Drawing	Pins	Package Qty	Eco Plan <sup>(2)</sup>	Lead/ Ball Finish	MSL Peak Temp <sup>(3)</sup>	Samples (Requires Login)
ADS8555SPM	ACTIVE	LQFP	PM	64	160	Green (RoHS & no Sb/Br)	CU NIPDAU	Level-3-260C-168 HR	
ADS8555SPMR	ACTIVE	LQFP	PM	64	1000	Green (RoHS & no Sb/Br)	CU NIPDAU	Level-3-260C-168 HR	

<sup>(1)</sup> The marketing status values are defined as follows:

**ACTIVE:** Product device recommended for new designs.

**LIFEBUY:** TI has announced that the device will be discontinued, and a lifetime-buy period is in effect.

**NRND:** Not recommended for new designs. Device is in production to support existing customers, but TI does not recommend using this part in a new design.

**PREVIEW:** Device has been announced but is not in production. Samples may or may not be available.

**OBsolete:** TI has discontinued the production of the device.

<sup>(2)</sup> Eco Plan - The planned eco-friendly classification: Pb-Free (RoHS), Pb-Free (RoHS Exempt), or Green (RoHS & no Sb/Br) - please check <http://www.ti.com/productcontent> for the latest availability information and additional product content details.

**TBD:** The Pb-Free/Green conversion plan has not been defined.

**Pb-Free (RoHS):** TI's terms "Lead-Free" or "Pb-Free" mean semiconductor products that are compatible with the current RoHS requirements for all 6 substances, including the requirement that lead not exceed 0.1% by weight in homogeneous materials. Where designed to be soldered at high temperatures, TI Pb-Free products are suitable for use in specified lead-free processes.

**Pb-Free (RoHS Exempt):** This component has a RoHS exemption for either 1) lead-based flip-chip solder bumps used between the die and package, or 2) lead-based die adhesive used between the die and leadframe. The component is otherwise considered Pb-Free (RoHS compatible) as defined above.

**Green (RoHS & no Sb/Br):** TI defines "Green" to mean Pb-Free (RoHS compatible), and free of Bromine (Br) and Antimony (Sb) based flame retardants (Br or Sb do not exceed 0.1% by weight in homogeneous material)

<sup>(3)</sup> MSL, Peak Temp. -- The Moisture Sensitivity Level rating according to the JEDEC industry standard classifications, and peak solder temperature.

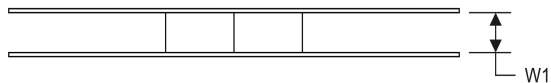
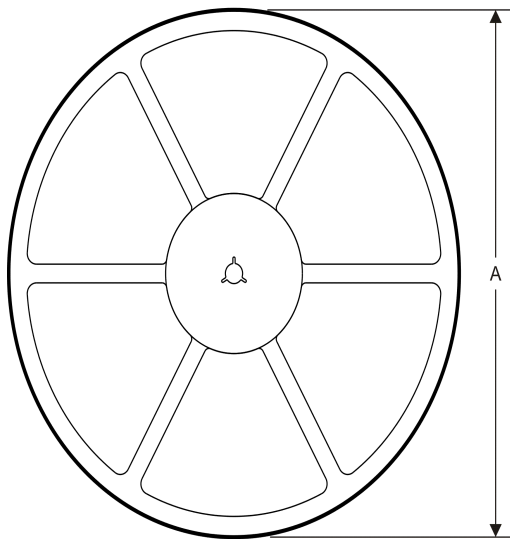
**Important Information and Disclaimer:** The information provided on this page represents TI's knowledge and belief as of the date that it is provided. TI bases its knowledge and belief on information provided by third parties, and makes no representation or warranty as to the accuracy of such information. Efforts are underway to better integrate information from third parties. TI has taken and continues to take reasonable steps to provide representative and accurate information but may not have conducted destructive testing or chemical analysis on incoming materials and chemicals. TI and TI suppliers consider certain information to be proprietary, and thus CAS numbers and other limited information may not be available for release.

In no event shall TI's liability arising out of such information exceed the total purchase price of the TI part(s) at issue in this document sold by TI to Customer on an annual basis.

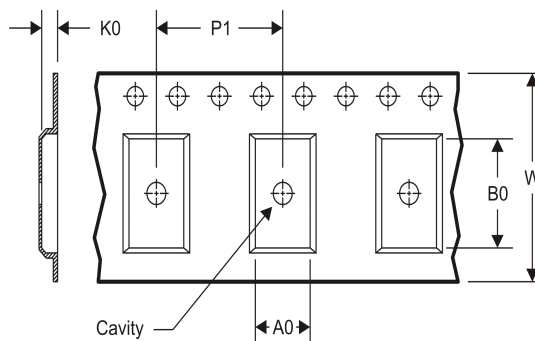


**TAPE AND REEL INFORMATION**

**REEL DIMENSIONS**



**TAPE DIMENSIONS**



A0	Dimension designed to accommodate the component width
B0	Dimension designed to accommodate the component length
K0	Dimension designed to accommodate the component thickness
W	Overall width of the carrier tape
P1	Pitch between successive cavity centers

**TAPE AND REEL INFORMATION**

\*All dimensions are nominal

Device	Package Type	Package Drawing	Pins	SPQ	Reel Diameter (mm)	Reel Width W1 (mm)	A0 (mm)	B0 (mm)	K0 (mm)	P1 (mm)	W (mm)	Pin1 Quadrant
ADS8555SPMR	LQFP	PM	64	1000	330.0	24.4	13.0	13.0	2.1	16.0	24.0	Q2

TAPE AND REEL BOX DIMENSIONS

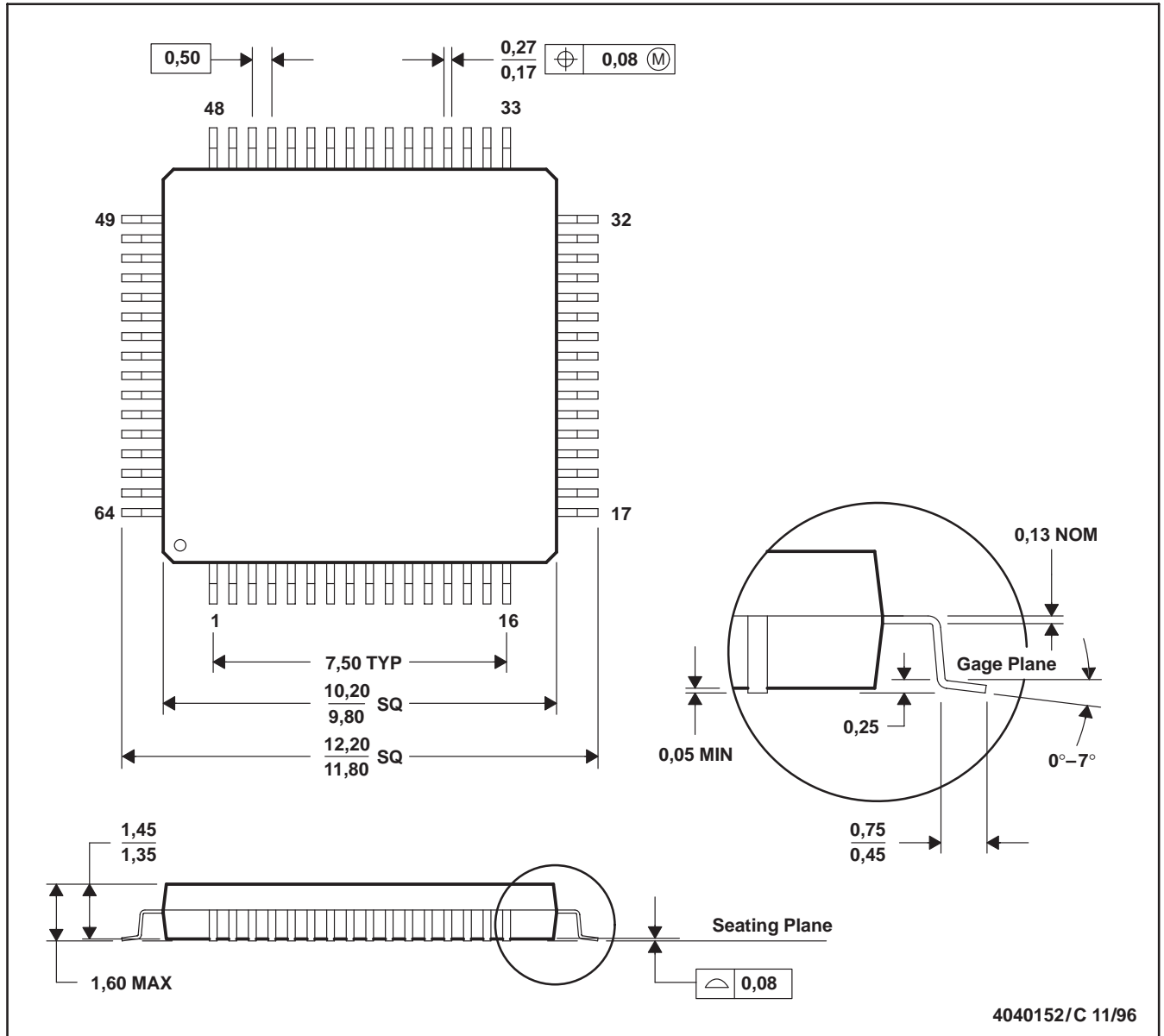


\*All dimensions are nominal

Device	Package Type	Package Drawing	Pins	SPQ	Length (mm)	Width (mm)	Height (mm)
ADS8555SPMR	LQFP	PM	64	1000	367.0	367.0	45.0

PM (S-PQFP-G64)

PLASTIC QUAD FLATPACK



- NOTES:
- A. All linear dimensions are in millimeters.
  - B. This drawing is subject to change without notice.
  - C. Falls within JEDEC MS-026
  - D. May also be thermally enhanced plastic with leads connected to the die pads.

## IMPORTANT NOTICE

Texas Instruments Incorporated and its subsidiaries (TI) reserve the right to make corrections, enhancements, improvements and other changes to its semiconductor products and services per JESD46C and to discontinue any product or service per JESD48B. Buyers should obtain the latest relevant information before placing orders and should verify that such information is current and complete. All semiconductor products (also referred to herein as "components") are sold subject to TI's terms and conditions of sale supplied at the time of order acknowledgment.

TI warrants performance of its components to the specifications applicable at the time of sale, in accordance with the warranty in TI's terms and conditions of sale of semiconductor products. Testing and other quality control techniques are used to the extent TI deems necessary to support this warranty. Except where mandated by applicable law, testing of all parameters of each component is not necessarily performed.

TI assumes no liability for applications assistance or the design of Buyers' products. Buyers are responsible for their products and applications using TI components. To minimize the risks associated with Buyers' products and applications, Buyers should provide adequate design and operating safeguards.

TI does not warrant or represent that any license, either express or implied, is granted under any patent right, copyright, mask work right, or other intellectual property right relating to any combination, machine, or process in which TI components or services are used. Information published by TI regarding third-party products or services does not constitute a license to use such products or services or a warranty or endorsement thereof. Use of such information may require a license from a third party under the patents or other intellectual property of the third party, or a license from TI under the patents or other intellectual property of TI.

Reproduction of significant portions of TI information in TI data books or data sheets is permissible only if reproduction is without alteration and is accompanied by all associated warranties, conditions, limitations, and notices. TI is not responsible or liable for such altered documentation. Information of third parties may be subject to additional restrictions.

Resale of TI components or services with statements different from or beyond the parameters stated by TI for that component or service voids all express and any implied warranties for the associated TI component or service and is an unfair and deceptive business practice. TI is not responsible or liable for any such statements.

Buyer acknowledges and agrees that it is solely responsible for compliance with all legal, regulatory and safety-related requirements concerning its products, and any use of TI components in its applications, notwithstanding any applications-related information or support that may be provided by TI. Buyer represents and agrees that it has all the necessary expertise to create and implement safeguards which anticipate dangerous consequences of failures, monitor failures and their consequences, lessen the likelihood of failures that might cause harm and take appropriate remedial actions. Buyer will fully indemnify TI and its representatives against any damages arising out of the use of any TI components in safety-critical applications.

In some cases, TI components may be promoted specifically to facilitate safety-related applications. With such components, TI's goal is to help enable customers to design and create their own end-product solutions that meet applicable functional safety standards and requirements. Nonetheless, such components are subject to these terms.

No TI components are authorized for use in FDA Class III (or similar life-critical medical equipment) unless authorized officers of the parties have executed a special agreement specifically governing such use.

Only those TI components which TI has specifically designated as military grade or "enhanced plastic" are designed and intended for use in military/aerospace applications or environments. Buyer acknowledges and agrees that any military or aerospace use of TI components which have **not** been so designated is solely at the Buyer's risk, and that Buyer is solely responsible for compliance with all legal and regulatory requirements in connection with such use.

TI has specifically designated certain components which meet ISO/TS16949 requirements, mainly for automotive use. Components which have not been so designated are neither designed nor intended for automotive use; and TI will not be responsible for any failure of such components to meet such requirements.

### Products

Audio	<a href="http://www.ti.com/audio">www.ti.com/audio</a>
Amplifiers	<a href="http://amplifier.ti.com">amplifier.ti.com</a>
Data Converters	<a href="http://dataconverter.ti.com">dataconverter.ti.com</a>
DLP® Products	<a href="http://www.dlp.com">www.dlp.com</a>
DSP	<a href="http://dsp.ti.com">dsp.ti.com</a>
Clocks and Timers	<a href="http://www.ti.com/clocks">www.ti.com/clocks</a>
Interface	<a href="http://interface.ti.com">interface.ti.com</a>
Logic	<a href="http://logic.ti.com">logic.ti.com</a>
Power Mgmt	<a href="http://power.ti.com">power.ti.com</a>
Microcontrollers	<a href="http://microcontroller.ti.com">microcontroller.ti.com</a>
RFID	<a href="http://www.ti-rfid.com">www.ti-rfid.com</a>
OMAP Mobile Processors	<a href="http://www.ti.com/omap">www.ti.com/omap</a>
Wireless Connectivity	<a href="http://www.ti.com/wirelessconnectivity">www.ti.com/wirelessconnectivity</a>

### Applications

Automotive and Transportation	<a href="http://www.ti.com/automotive">www.ti.com/automotive</a>
Communications and Telecom	<a href="http://www.ti.com/communications">www.ti.com/communications</a>
Computers and Peripherals	<a href="http://www.ti.com/computers">www.ti.com/computers</a>
Consumer Electronics	<a href="http://www.ti.com/consumer-apps">www.ti.com/consumer-apps</a>
Energy and Lighting	<a href="http://www.ti.com/energy">www.ti.com/energy</a>
Industrial	<a href="http://www.ti.com/industrial">www.ti.com/industrial</a>
Medical	<a href="http://www.ti.com/medical">www.ti.com/medical</a>
Security	<a href="http://www.ti.com/security">www.ti.com/security</a>
Space, Avionics and Defense	<a href="http://www.ti.com/space-avionics-defense">www.ti.com/space-avionics-defense</a>
Video and Imaging	<a href="http://www.ti.com/video">www.ti.com/video</a>

**TI E2E Community** [e2e.ti.com](http://e2e.ti.com)