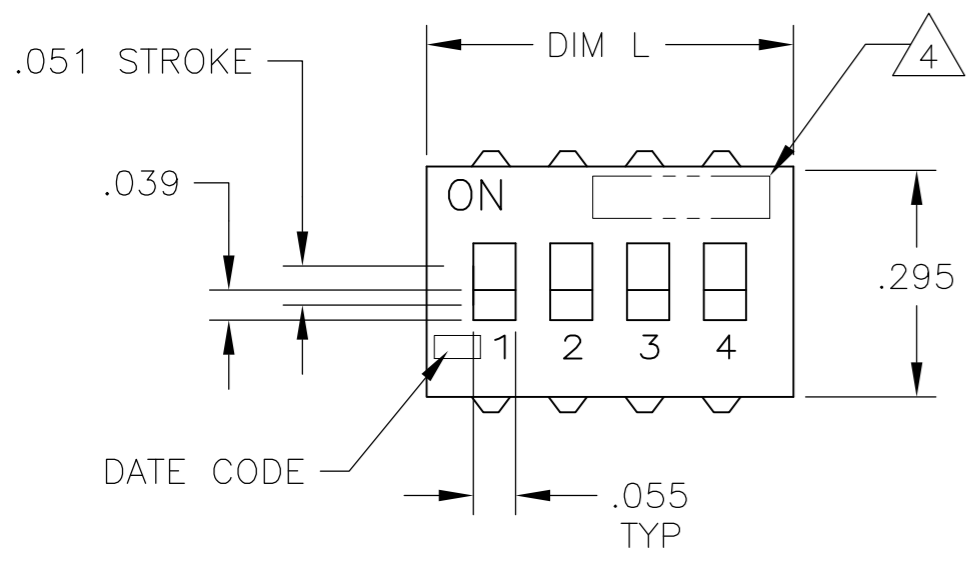


THIS DRAWING IS UNPUBLISHED. RELEASED FOR PUBLICATION  
 © COPYRIGHT BY TYCO ELECTRONICS CORPORATION. ALL RIGHTS RESERVED.

LOC	DIST	REVISIONS					
		P	LTR	DESCRIPTION	DATE	DWN	APVD
AD	0		02	REVISED PER ECO-08-00954	1/11/08	SS	MS
			03	REVISED PER ECO-09-024927	09NOV09	KK	AEG



SPECIFICATION:

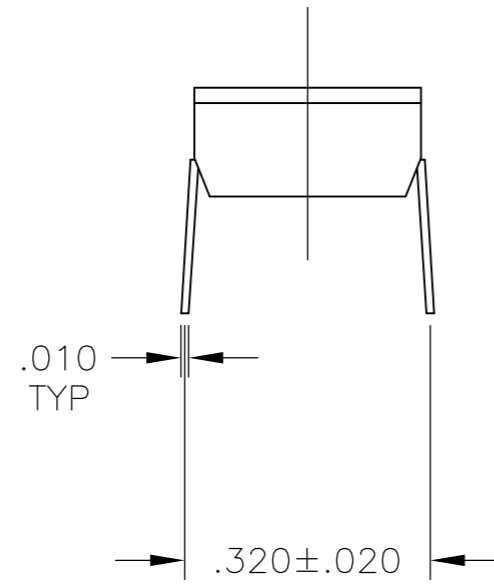
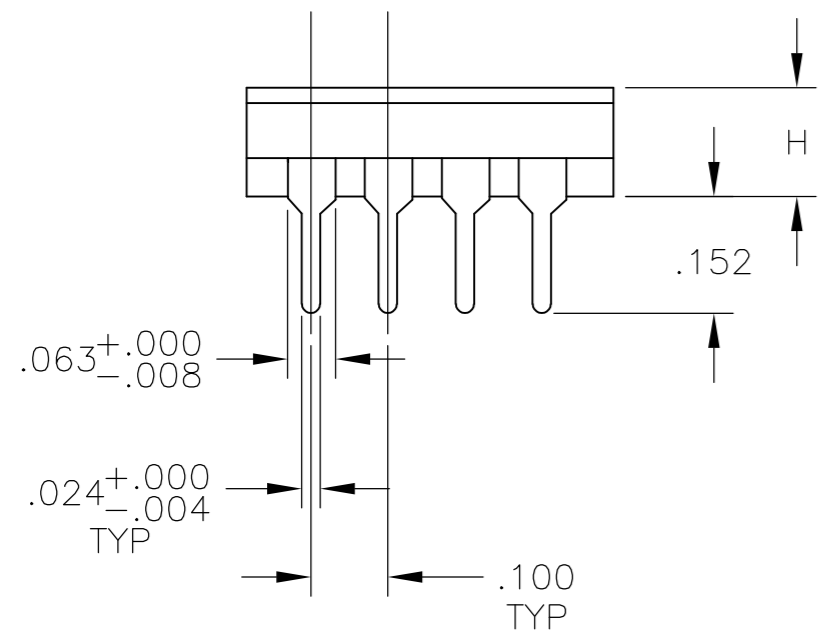
**MATERIAL**  
 BASE, PPS, UL94V-0, BLACK  
 COVER, PPS, UL94V-0, BLACK  
 ACTUATOR, PA6T, UL94V-0, WHITE  
 FIXED CONTACT/TERMINAL, CU ALLOY-GOLD FLASH OVER NICKEL  
 MOVING CONTACT, CU ALLOY, PLATE-GOLD FLASH/NICKEL  
 TAPE SEAL, POLYIMIDE FILM, AMBER, SEE P/N TABLE FOR OPTIONS.

**ELECTRICAL**  
 MAX CONTACT RATING SWITCHING, 100MILLIAMP @ 24 VDC  
 MIN CONTACT RATING SWITCHING, .1MICROAMP @ 1 MILLIVOLT  
 MAX CONTACT NON-SWITCHING, 1AMP @ 5 VDC  
 INITIAL CONTACT RESISTANCE, 50 MILLIOHMS MAX.  
 CONTACT RESISTANCE (AFTER ENVIRONMENTAL TEST), 100 MILLIOHMS  
 CONTACT RESISTANCE (AFTER GAS TEST), 300 MILLIOHMS  
 INSULATION RESISTANCE, 1,000 MEGOHMS MIN. @ 100 VDC  
 DIELECTRIC STRENGTH, 500 VAC RMS @ SEA LEVEL  
 LIFE EXPECTANCY, 1,000 CYCLES

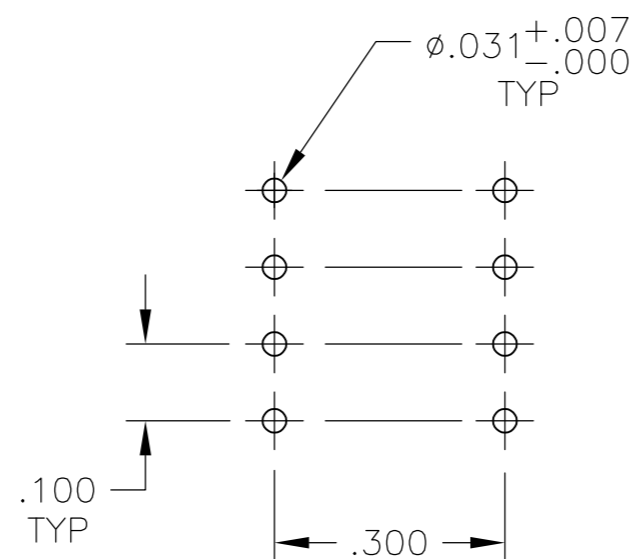
**MECHANICAL**  
 OPERATING FORCE, LESS THAN 800 GRAMS  
 CONTACT PRESSURE, 280,000 PSI

**ENVIRONMENTAL**  
 OPERATING TEMPERATURE, -30 TO +85 DEGREES C  
 STORAGE TEMPERATURE, -45 TO +105 DEGREES C  
 CLEANING, AQUEOUS OR SOLVENT  
 SOLDER HEAT RESISTANCE, PER 109-201, COND B, SWITCH "OFF".  
 SOLDERABILITY PER JIS C 0050 & JIS C 0053

- SWITCHES TO BE RECEIVED IN THE "OFF" POSITION AND PACKAGED IN CLEAR TUBES TO ACCOMMODATE AUTO-INSERTION.
  - TOP SURFACE TO BE CLEARLY MARKED AS SHOWN
  - SWITCHES TO BE BLACK WITH WHITE ACTUATORS AND MARKINGS.
  - ALL MATERIALS AND FINISHES SHALL COMPLY WITH EU DIRECTIVE 2002 /95/EC OF 27JAN2003 (ROHS)
  - TOP TAPE SEAL AVAILABLE, SEE P/N TABLE FOR OPTIONS
- △ OBSOLETE PARTS: OBSOLETE CIS STREAMLINING PER D.RENAUD/D.SINISI



ADF



P.C. LAYOUT  
 INSERT MOUNT

SEE SHEET 2 FOR PART NUMBER TABLE

THIS DRAWING IS A CONTROLLED DOCUMENT.		DWN B.S.VISWESWARA 10FEB05	Tyco Electronics Corporation Harrisburg, Pa 17105-3808	
DIMENSIONS: INCHES	TOLERANCES UNLESS OTHERWISE SPECIFIED:	CHK M.SARVER	NAME DIP SWITCH, ADF THRU HOLE	
	0 PLC ± -	APVD M.SARVER	PRODUCT SPEC	
	1 PLC ± -	PRODUCT SPEC	-	
	2 PLC ± -	APPLICATION SPEC	-	
	3 PLC ± .012		SIZE A2	CAGE CODE 00779
	4 PLC ± -		DRAWING NO C=1825002	RESTRICTED TO -
	ANGLES ± -		SCALE 4:1	SHEET 1 OF 2
MATERIAL -	FINISH -	WEIGHT -	REV 03	
CUSTOMER DRAWING				

THIS DRAWING IS UNPUBLISHED. RELEASED FOR PUBLICATION  
 © COPYRIGHT BY TYCO ELECTRONICS CORPORATION. ALL RIGHTS RESERVED.

LOC	DIST	REVISIONS			
P	LTR	DESCRIPTION	DATE	DWN	APVD
AD	00	SEE SHEET 1	-	-	-

	ADF12T04	.142	1.280	YES	12	2-1825002-0
6	OBSOLETE	ADF1204	.142	1.280	12	1-1825002-9
	ADF10T04	.138	1.078	YES	10	1-1825002-8
	ADF1004	.138	1.078	NO	10	1-1825002-7
6	OBSOLETE	ADF09T04	.138	0.978	9	1-1825002-6
	ADF0904	.138	0.978	NO	9	1-1825002-5
	ADF08T04	.138	0.878	YES	8	1-1825002-4
	ADF0804	.138	0.878	NO	8	1-1825002-3
6	OBSOLETE	ADF07T04	.138	0.778	7	1-1825002-2
	ADF0704	.138	0.778	NO	7	1-1825002-1
	ADF06T04	.138	0.678	YES	6	1-1825002-0
	ADF0604	.138	0.678	NO	6	1825002-9
	ADF05T04	.138	0.578	YES	5	1825002-8
	ADF0504	.138	0.578	NO	5	1825002-7
	ADF04T04	.138	0.478	YES	4	1825002-6
	ADF0404	.138	0.478	NO	4	1825002-5
6	OBSOLETE	ADF03T04	.138	0.378	3	1825002-4
	ADF0304	.138	0.378	NO	3	1825002-3
	ADF02T04	.138	0.278	YES	2	1825002-2
	ADF0204	.138	0.278	NO	2	1825002-1
	T&B P/N	DIM H	DIM L	SEAL	POS	PART NO.

THIS DRAWING IS A CONTROLLED DOCUMENT.		DWN B.S.VISWESWARA 19AUG03	Tyco Electronics Corporation Harrisburg, Pa 17105-3808	
DIMENSIONS: INCHES	TOLERANCES UNLESS OTHERWISE SPECIFIED:	CHK M.SARVER	NAME DIP SWITCH, ADF THRU HOLE	
	0 PLC ± - 1 PLC ± - 2 PLC ± - 3 PLC ± .012 4 PLC ± - ANGLES ± -	APVD M.SARVER	DRAWING NO 1825002	
MATERIAL -	FINISH -	PRODUCT SPEC -	SCALE A2 00779	RESTRICTED TO -
		WEIGHT -	CAGE CODE 00779	SHEET 2 OF 2
		CUSTOMER DRAWING	SCALE 1:1	REV 03