

Distributed by:



[www.Jameco.com](http://www.Jameco.com) ♦ 1-800-831-4242

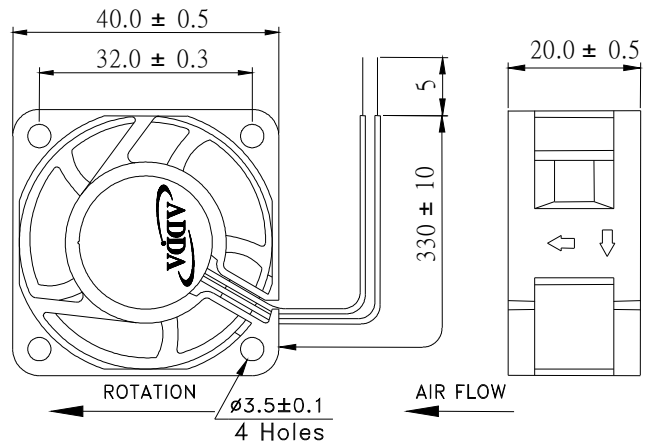
The content and copyrights of the attached material are the property of its owner.

◀40X40X20mm Series▶

Jameco Part Number 249375



**External Dimensions**



Frame: Plastic(UL:94v-0)  
 Impeller: Plastic(UL:94v-0)  
 Bearing: Hydro bearing  
 Lead wire: UL1007AWG24  
 OPERATING TEMP\*: -10C~70C  
 VOLTAGE AVAILABLE: 5V, 12V, 24V  
 \*: -10C~60C for fans with sleeve/ball combination bearings.

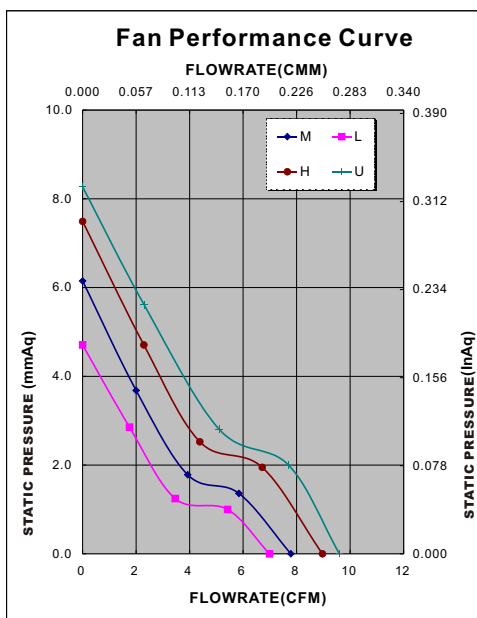
Spot cooling, also suitable for small space requirements, laptops PC and notebook, etc.,.

**Specifications(Nominal)**

\*: Noise is measured at the distance of one(1) meter from the axis of intake.

Frame size (mm)	Model No.	Bearing System Type	Rated Voltage (v)	Rated Current (A)	Rated Power (W)	Rated Speed (rpm)	Bearing type: =Ball =Sleeve =1B1S =Hydro bearing				Noise Level (dB/A)	Weight (g)
							Maximum AirFlow (CMM)	Maximum AirFlow (CFM)	Maximum Pressure (InAq)	Maximum Pressure (mmAq)		
40X40X20	AD0405HB-C50		5	0.29	1.45	7800	0.253	8.97	0.300	7.49	31.9	28
	AD0405MB-C50		5	0.16	0.80	6500	0.219	7.78	0.246	6.15	27.0	
	AD0405LB-C50		5	0.14	0.70	6000	0.020	0.70	0.188	4.71	23.9	
	AD0405HB-C51		5	0.29	1.45	7800	0.253	8.97	0.300	7.49	31.9	
	AD0405MB-C51		5	0.16	0.80	6500	0.219	7.78	0.246	6.15	27.0	
	AD0405LB-C51		5	0.14	0.70	6000	0.020	0.70	0.188	4.71	23.9	
	AD0412UB-C50		12	0.14	1.68	8500	0.270	9.60	0.331	8.27	36.1	
	AD0412HB-C50		12	0.10	1.20	7800	0.253	8.97	0.300	7.49	31.9	
	AD0412MB-C50		12	0.08	0.96	6900	0.219	7.78	0.246	6.15	28.5	
	AD0412LB-C50		12	0.07	0.84	6200	0.197	6.99	0.188	4.71	25.0	
	AD0412HB-C51		12	0.10	1.20	7800	0.253	8.97	0.300	7.49	31.9	
	AD0412MB-C51		12	0.08	0.96	6900	0.219	7.78	0.246	6.15	28.5	
	AD0412LB-C51		12	0.07	0.84	6200	0.197	6.99	0.188	4.71	25.0	
	AD0424HB-C50		24	0.09	2.16	7800	0.253	8.97	0.300	7.49	31.9	
	AD0424MB-C50		24	0.07	1.68	6900	0.219	7.78	0.246	6.15	28.5	
	AD0424LB-C50		24	0.06	1.44	6200	0.197	6.99	0.188	4.71	25.0	

Specifications subject to change without notice.



\*Motor protective circuit and third lead wire functions

0	1	2	3	4	6	7	8	9	A	B
✓	✓	✓	✓		✓					

\*Safety approvals

✓	✓		✓	✓	

