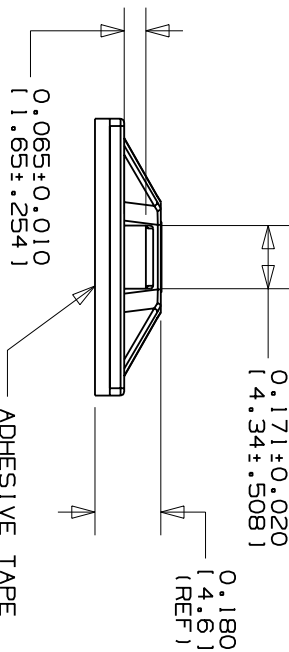
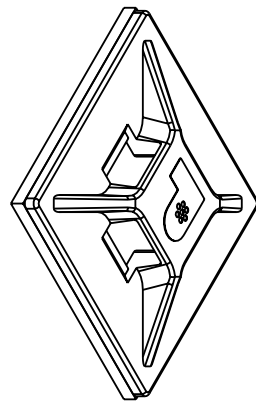
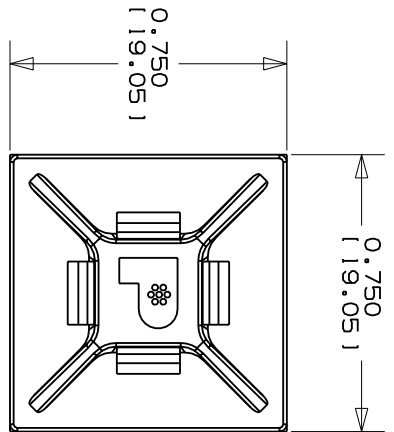


THIS COPY IS PROVIDED ON A RESTRICTED BASIS AND IS NOT TO BE USED IN ANY WAY DETRIMENTAL TO THE INTERESTS OF PANDUIT CORP.

NO WARRANTY, EXPRESSED OR IMPLIED, IS MADE BY PANDUIT WITH RESPECT TO ADHESIVE BOND PERFORMANCE. AMONG OTHER THINGS, THE CONDITIONS UNDER WHICH THESE MOUNTS MAY BE APPLIED AND/OR THE SURFACE TO WHICH THEY MAY BE APPLIED ARE BEYOND PANDUIT'S CONTROL.

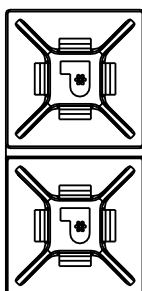


ADHESIVE TAPE  
PRESSURE SENSITIVE TAPE 0.040(1.01) THICK WITH PROTECTIVE LINER. MOUNT IS DESIGNED TO SUPPORT 0.30 lbs(136 MAX. WEIGHT ON A CLEAN, DRY, SMOOTH, GREASE-FREE SURFACE.

NOTES:

- 1) CLEAN SURFACE WITH ISOPROPYL ALCOHOL.
  - 2) REMOVE PROTECTIVE LINER.
  - 3) PLACE IN DESIRED LOCATION.
  - 4) APPLY PRESSURE TO MOUNT FOR 5 SECONDS.
- TO APPLY MOUNT
- \* 1) SEE CURRENT PRICE SHEET FOR PART NUMBER SUFFIX DESIGNATION FOR PACKAGE SIZE AND PART COLOR.
  - 2) MOUNTS ARE SUPPLIED IN STRIPS OF TWO FOR EASY REMOVAL OF LINER.
  - 3) MOUNT HAS A CONTINUOUS OPERATING TEMPERATURE OF 120°F(49°C).

PANDUIT PART NO. *	USE WITH THESE CABLE TIE CROSS SECTIONS	WEIGHT lbs /100 pcs (g)
ABMM - A	MINIATURE INTERMEDIATE	0.113 (51.3)



ACTUAL SIZE

(DIMENSIONS IN PARENTHESES ARE IN METRIC.)

CAD FILENAME/LAYERS

G00239GB\_DC\_ABMM\_A\_09



PANDUIT CORP. TINLEY PARK, ILLINOIS

ABMM - A  
ADHESIVE BACKED MOUNT

UNLESS OTHERWISE SPECIFIED, DIMENSIONAL TOLERANCES ARE:  
(.XX) ± .001 (.XX) ± .020 (.511) (XXX) ± .021 (.5) ANGLES ± .001

UNLESS OTHERWISE SPECIFIED, ALL DIMENSIONS ARE GIVEN IN INCHES, THIRD ANGLE PROJECTION.

DRAWN BY CGSM MAT'L: ABS (ACRYLONITRILE BUTADIENE STYRENE)

DATE 1-20-99 SCALE NONE

CHK'D DRAWING NO. G00239GB DWG SIZE A

REV	DATE	BY	CHK	DESCRIPTION	ECN	R	CUST	SUP
9	6/29/06	JAD		REMOVE ABM20	G00239GB	9		