

ULTRA MINIATURE CERAMIC SMD CRYSTAL



3.2 x 2.5 x 0.7mm

ABM8



RoHS
Compliant

FEATURES:

- Low in height; suitable for thin equipment, 0.7mm max
- Seam sealed package assures high reliability
- Tight tolerance and stability available
- Suitable for RoHS reflow
- Available for fundamental and 3rd over tone mode

APPLICATIONS:

- High density applications
- Modems, communication and test equipment
- PCMCIA, Wireless applications

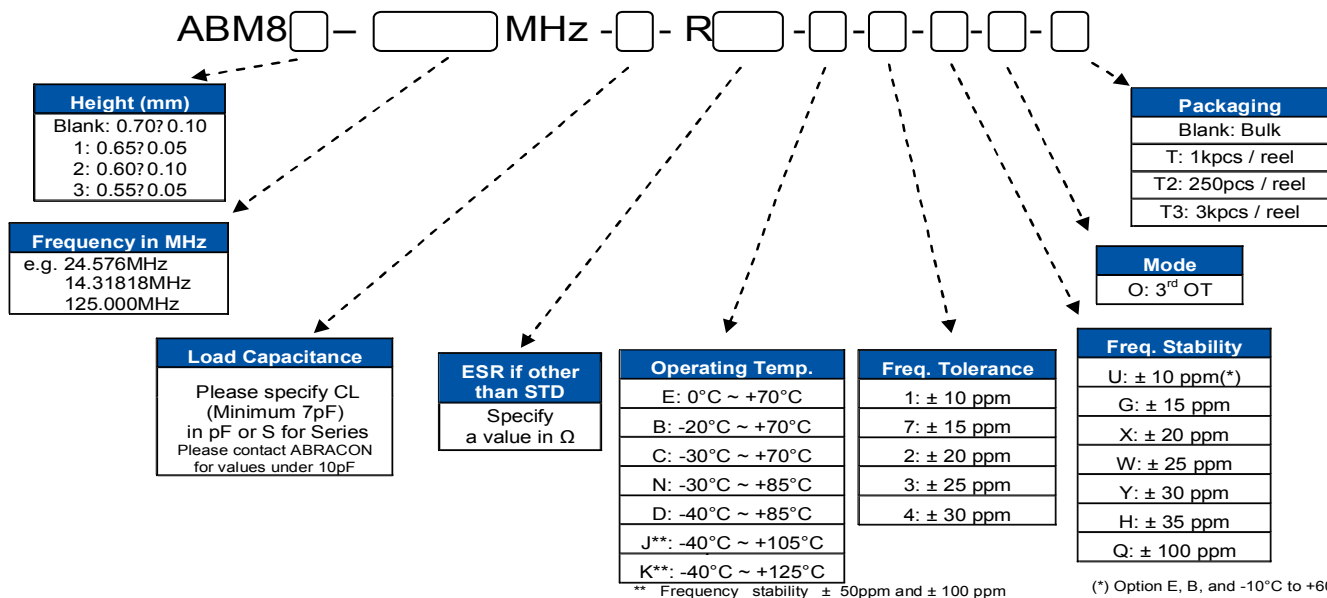
STANDARD SPECIFICATIONS:

PARAMETERS	
ABRACON P/N	ABM8 Series
Frequency Range	10.000MHz - 54.000MHz (Fundamental) (Please contact Abracon for F>54MHz) 114.285MHz (3rd OT, see options) (Please contact ABRACON for other 3rd OT frequencies.)
Operation Mode	Fundamental or 3rd OT (see options)
Operating Temperature	-10°C to + 60°C (see options)
Storage Temperature	- 55°C to + 125°C
Frequency Tolerance at +25°C	± 50 ppm max. (see options)
Frequency Stability over the Operating Temp. (Ref to +25°C)	± 50 ppm max. (see options)
Equivalent Series Resistance	See Table 1
Shunt Capacitance C ₀	7pF max.
Load Capacitance C _L	18pF (see options)
Drive Level	100µW max., 10µW Typical
Aging at 25°C First Year	±3ppm max
Insulation Resistance	500MΩ min. @ 100Vdc ± 15V

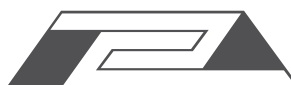
TABLE 1- Standard ESR

Frequency (MHz)	ESR(Ω) Max	Frequency (MHz)	ESR(Ω) Max
11.000 -11.999 (Fund)	200	30.000 - 39.999 (Fund)	40
12.000 -15.999 (Fund)	120	40.000 - 54.000 (Fund)	35
16.000 -19.999 (Fund)	70	66.000 - 80.000 (3rd OT)	120
20.000 - 29.999 (Fund)	50	98.304 - 125.000 (3rd OT)	80

OPTIONS AND PART IDENTIFICATION (Left blank if standard)



ABRACON IS
ISO9001:2008
CERTIFIED



ABRACON
CORPORATION

Visit www.abracon.com for Terms & Conditions of Sale **Revised: 06.29.10**
30332 Esperanza, Rancho Santa Margarita, California 92688
tel 949-546-8000 | fax 949-546-8001 | www.abracon.com

ULTRA MINIATURE CERAMIC SMD CRYSTAL



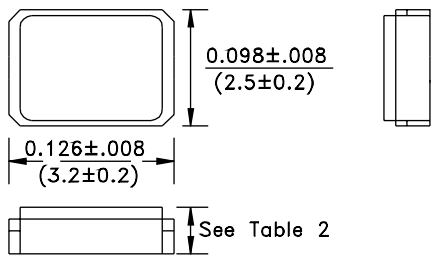
ABM8

3.2 x 2.5 x 0.7mm

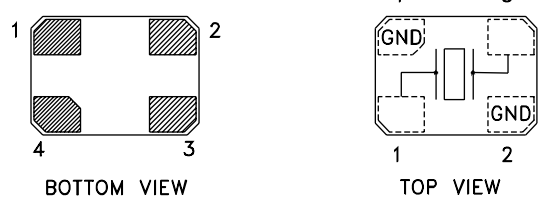
ABM8



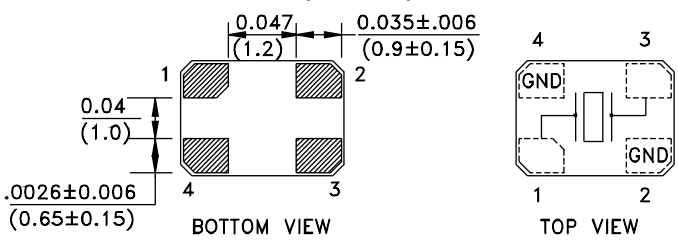
OUTLINE DRAWING: Please see Table 2 below for height and chamfer information



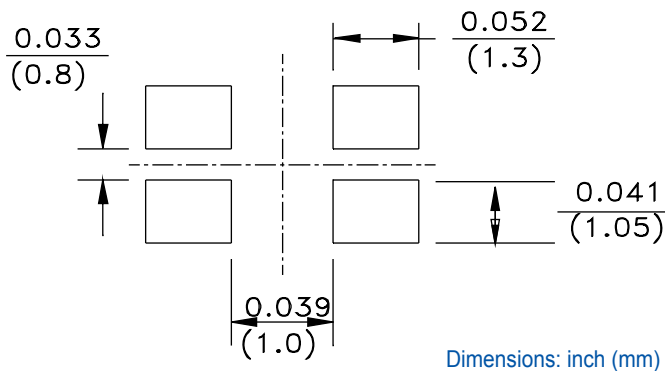
Chamfer on PIN 4 (Default)



Chamfer on PIN 1 (See Note)



Recommended land pattern



Dimensions: inch (mm)

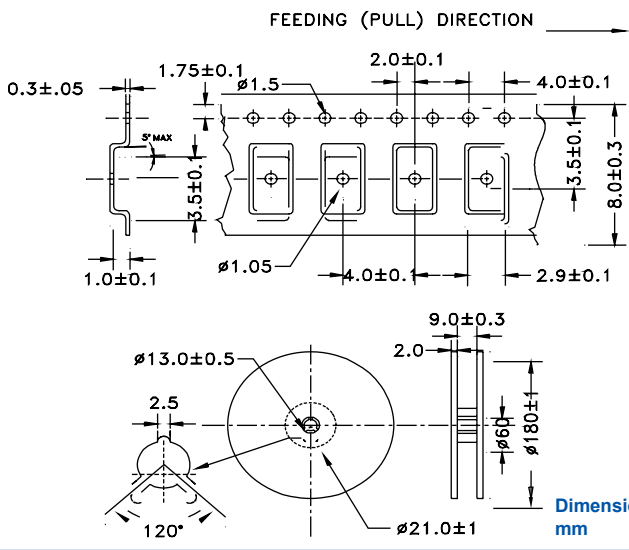
TABLE 2

	Height (mm)	Chamfer PIN #
ABM8	0.70+/-0.10	#4 (Default), #1 (See Note)
ABM81	0.65+/-0.05	#1 only
ABM82	0.60+/-0.10	#4 (Default), #1 (See Note)
ABM83	0.55+/-0.05	#1 only

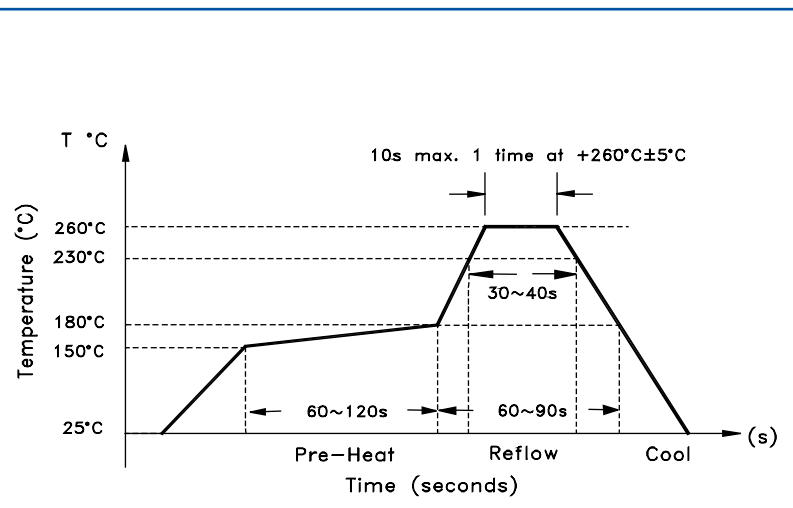
Note: Due to the availability of raw materials, this part may be manufactured with the chamfer on pin 1. Be advised that this does not affect the electrical characteristics of the crystal in any way.

TAPE & REEL:

Tape and reel (1,000pcs/reel) : ABM8, ABM82
Tape and reel (3,000pcs/reel) : ABM81, ABM83



REFLOW PROFILE:



Need a test socket for the ABM8 Series? To view compatible **PRECISION TEST & BURN-IN SOCKETS** for these parts, [click here](#).

ATTENTION: Abracon Corporation's products are COTS - Commercial-Off-The-Shelf products; suitable for Commercial, Industrial and, where designated, Automotive Applications. Abracon's products are not specifically designed for Military, Aviation, Aerospace, Life-dependant Medical applications or any application requiring high reliability where component failure could result in loss of life and/or property. For applications requiring high reliability and/or presenting an extreme operating environment, written consent and authorization from Abracon Corporation is required. Please contact Abracon Corporation for more information.

ABRACON IS ISO9001:2008 CERTIFIED



Visit www.abracon.com for Terms & Conditions of Sale **Revised: 06.29.10**
30332 Esperanza, Rancho Santa Margarita, California 92688
tel 949-546-8000 | fax 949-546-8001 | www.abracon.com