

MINIATURE CERAMIC SMD CRYSTAL



ABM3

5.0 X 3.2 X 1.30mm

ABM3

Pb in glass

(exempt per RoHS 2002/95/EC Annex (5))

RoHS
Compliant

Smaller package alternative for ABM7 series

FEATURES:

- AT-cut fundamental and 3rd OT mode
- IR reflow capable
- Tight Stability available.
- Ceramic package hermetically glass sealed assures high precision and reliability.

APPLICATIONS:

- Cellular telephones, Pagers.
- Communication and Test equipment.
- PCMCIA and wireless applications.

STANDARD SPECIFICATIONS:

PARAMETERS

ABRACON P/N	ABM3 Series
Frequency Range	8.0MHz - 50.0MHz (Fundamental) 50.1MHz - 125MHz (3rd overtone)
Operation Mode	Fundamental or 3rd overtone
Operating Temperature	- 10°C to + 60°C (see options)
Storage Temperature	- 40°C to + 90°C
Frequency Tolerance @ 25°C	± 50 ppm max. (see options)
Frequency Stability over the Operating Temperature (Ref to + 25°C)	± 50ppm max. (Blank (STD) or Z option. See options below)
Equivalent Series Resistance	See table 1
Shunt Capacitance C0	7 pF max.
Load Capacitance CL	18 pF (see options)
Drive Level	100 µW max., 10 µW typical
Aging (First Year) @ 25°C ± 3°C	± 5ppm max.
Insulation Resistance	500 MΩ min at 100Vdc ± 15 V

TABLE 1- Standard ESR

Frequency (MHz)	ESR (Ω) max	Operational Mode
8.000 - 8.999	500	Fundamental
9.000 - 9.999	200	Fundamental
10.000 - 15.999	60	Fundamental
16.000 - 50.000	50	Fundamental
50.001 - 80.000	60	3rd Overtone
80.001 - 125.00	80	3rd Overtone

OPTIONS AND PART IDENTIFICATION: (Left blank if standard)

ABM3 - Frequency - - R - -

Load Capacitance (pF)

Please specify CL in pF or S for Series (8 to 33pF)

Consult with ABRACON for CL value under 8pF.

Custom ESR

RXXX (Value in Ω).
If it is custom

** Standard temp or options E and B only

*** Standard temp or options E, B, C and N only.

Contact ABRACON for tighter freq. stability.

Operating Temp.

E	0°C to +70°C
B	-20°C to +70°C
C	-30°C to +70°C
N	-30°C to +85°C
D	-40°C to +85°C
J****	-40°C to +105°C
K****	-40°C to +125°C

(****) Frequency stability ±50ppm, and ±100ppm only.

Freq. Tolerance

7	± 15 ppm
2	± 20 ppm
3	± 25 ppm
4	± 30 ppm

Packaging

Blank	Bulk
T	Tape and Reel

Freq. Stability

U**	± 10 ppm
G***	± 15 ppm
X	± 20 ppm
W	± 25 ppm
Y	± 30 ppm
H	± 35 ppm
Z	± 50 ppm
Q	± 100 ppm



MINIATURE CERAMIC SMD CRYSTAL



ABM3

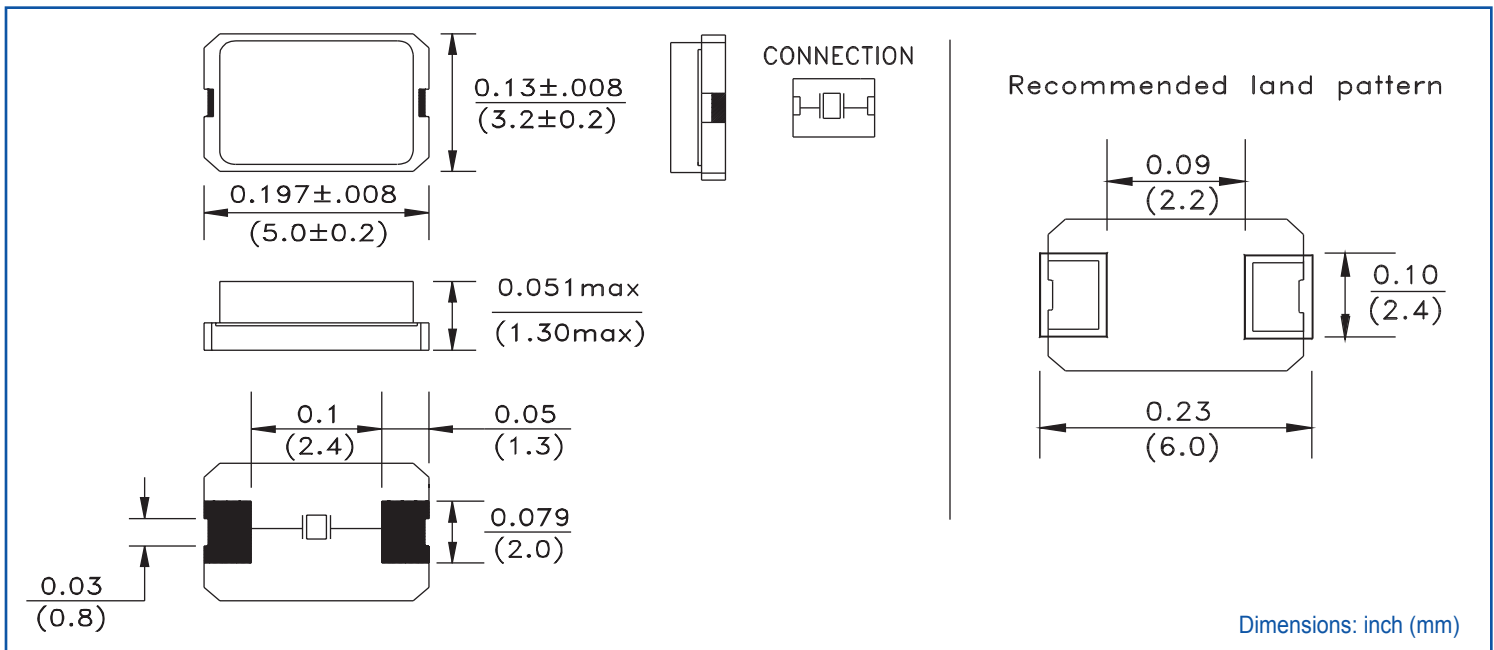
5.0 X 3.2 X 1.30mm

ABM3

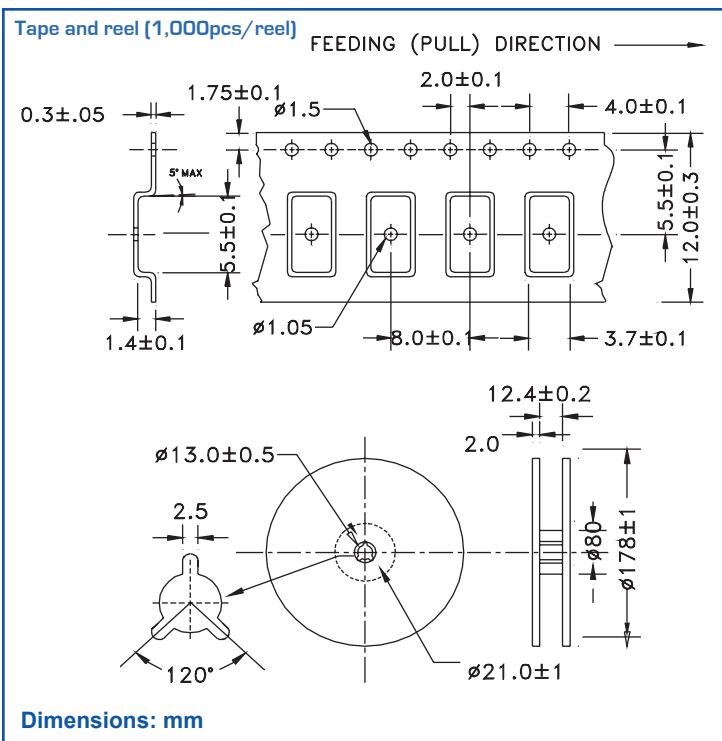
Pb in glass
(exempt per RoHS 2002/95/EC Annex (5))

RoHS
Compliant

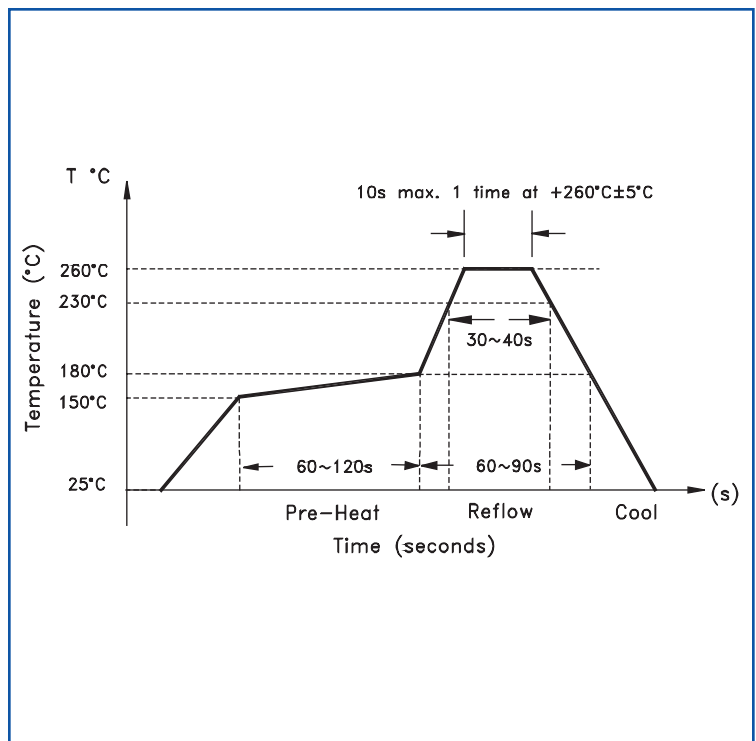
OUTLINE DRAWING:



TAPE & REEL:



REFLOW PROFILE



Need a test socket for the ABM3 Series? To view compatible **PRECISION TEST & BURN-IN SOCKETS** for these parts, [click here](#). P/N: AXS-5032-02-06

ATTENTION: Abracon Corporation's products are COTS - Commercial-Off-The-Shelf products; suitable for Commercial, Industrial and, where designated, Automotive Applications. Abracon's products are not specifically designed for Military, Aviation, Aerospace, Life-dependant Medical applications or any application requiring high reliability where component failure could result in loss of life and/or property. For applications requiring high reliability and/or presenting an extreme operating environment, written consent and authorization from Abracon Corporation is required. Please contact Abracon Corporation for more information.

ABRACON IS
ISO9001:2008
CERTIFIED



Visit www.abracon.com for Terms & Conditions of Sale **Revised: 08.20.10**
 30332 Esperanza, Rancho Santa Margarita, California 92688
 tel 949-546-8000 | fax 949-546-8001 | www.abracon.com