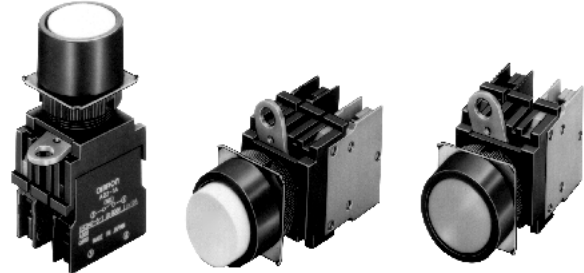


Pushbutton Switches - 22 mm

A22

Install in 22-mm dia. or 25-mm dia.
Panel Cutout

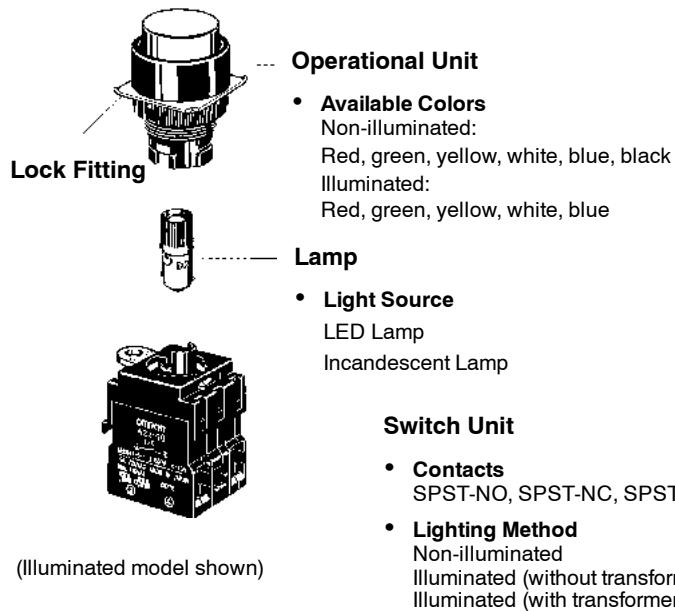
- Locking lever ensures easy mounting and removal of switch unit
- Increase wiring efficiency and decrease mounting depth with three-row mounting of switch unit contact blocks
- Finger protection mechanism on switch unit provided as a standard feature
- Use optional 25-mm dia. ring to install in 25-mm dia. panel cutouts
- IP65 oil resistant: EN60947-5-1



This product was manufactured at OMRON Izumo. OMRON Izumo has obtained approvals from international certification bodies for its quality system and environmental control system.

Ordering Information

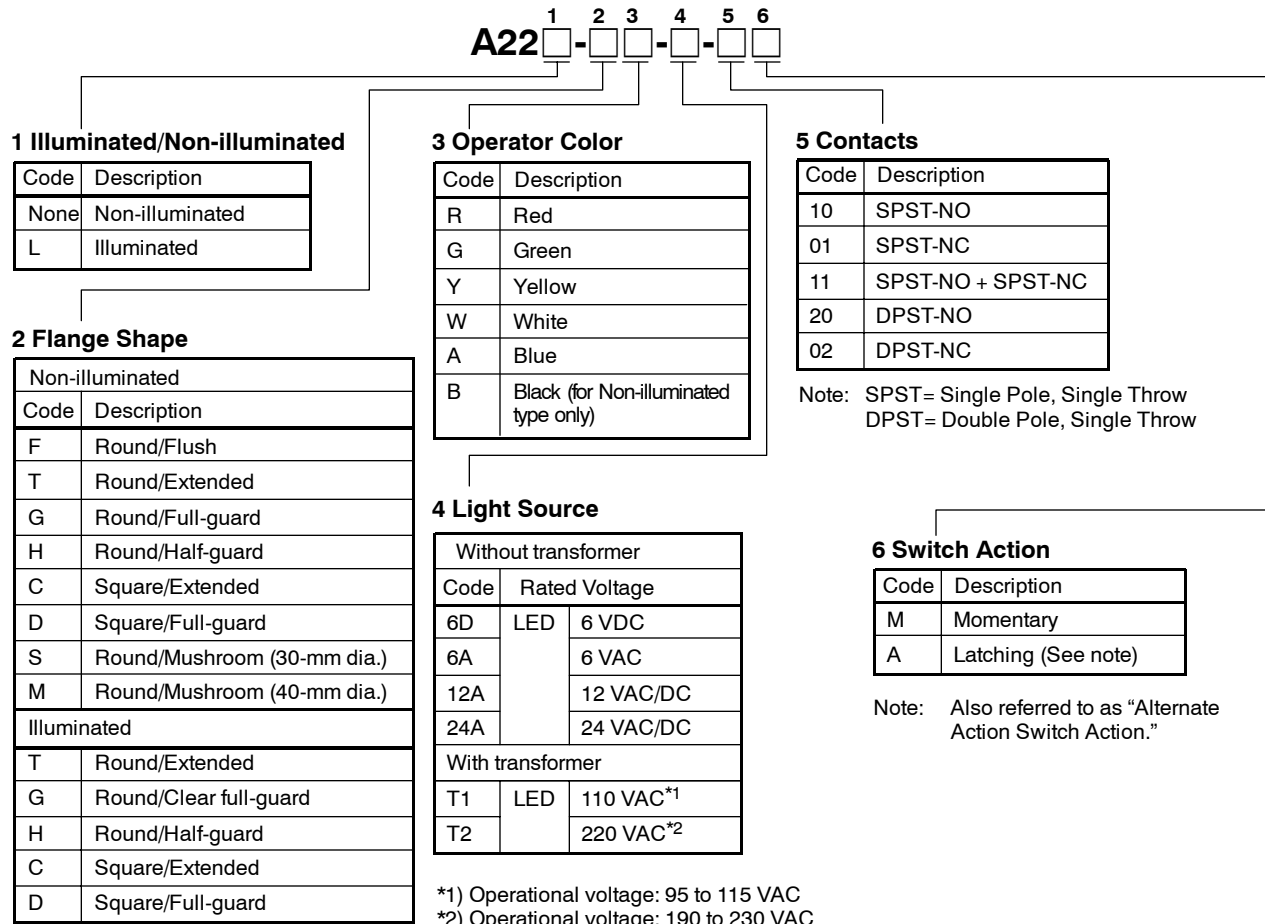
■ CONSTRUCTION



(Actual color of yellow pushbuttons more closely resembles amber than true yellow.)

■ PART NUMBER LEGEND (COMPLETE ASSEMBLY)

Shipped as a set which includes the Operational Unit, LED (Illuminated type only), and switch unit with contact blocks.



*1) Operational voltage: 95 to 115 VAC
*2) Operational voltage: 190 to 230 VAC

Note: With Transformer types the LED lamp (24 VAC/DC) can be lit by directly applying 110 VAC/DC (220 VAC/DC) to the lamp terminal. The LED is the 24-VAC/DC type.



(Actual color of yellow pushbuttons more closely resembles amber than true yellow.)

■ PUSHBUTTON SWITCH (COMPLETE ASSEMBLY)

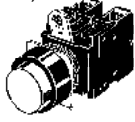


Non-illuminated (Round Type)

Description			Part number	
Appearance	Contacts	Operator color	Momentary operation	Latching operation
Round Flush type 	SPST-NO	Insert one of the following letters into the box □. R (red) Y (yellow) G (green) W (white) A (blue) B (black)	A22-F□-10M	A22-F□-10A
	SPST-NC		A22-F□-01M	A22-F□-01A
	SPST-NO + SPST-NC		A22-F□-11M	A22-F□-11A
	DPST-NO		A22-F□-20M	A22-F□-20A
	DPST-NC		A22-F□-02M	A22-F□-02A
Round/Extended type 	SPST-NO		A22-T□-10M	A22-T□-10A
	SPST-NC		A22-T□-01M	A22-T□-01A
	SPST-NO + SPST-NC		A22-T□-11M	A22-T□-11A
	DPST-NO		A22-T□-20M	A22-T□-20A
	DPST-NC		A22-T□-02M	A22-T□-02A
Round/Full-guard type 	SPST-NO	A22-G□-10M	A22-G□-10A	
	SPST-NC	A22-G□-01M	A22-G□-01A	
	SPST-NO + SPST-NC	A22-G□-11M	A22-G□-11A	
	DPST-NO	A22-G□-20M	A22-G□-20A	
	DPST-NC	A22-G□-02M	A22-G□-02A	
Round/Half-guard type 	SPST-NO	Insert one of the following letters into the box □. R (red) Y (yellow) G (green) W (white) A (blue) B (black)	A22-H□-10M	A22-H□-10A
	SPST-NC		A22-H□-01M	A22-H□-01A
	SPST-NO + SPST-NC		A22-H□-11M	A22-H□-11A
	DPST-NO		A22-H□-20M	A22-H□-20A
	DPST-NC		A22-H□-02M	A22-H□-02A
Small-size Mushroom type (30-mm dia. head) 	SPST-NO		A22-S□-10M	A22-S□-10A
	SPST-NC		A22-S□-01M	A22-S□-01A
	SPST-NO + SPST-NC		A22-S□-11M	A22-S□-11A
	DPST-NO		A22-S□-20M	A22-S□-20A
	DPST-NC		A22-S□-02M	A22-S□-02A
Medium-size Mushroom type (40-mm dia head) 	SPST-NO	A22-M□-10M	A22-M□-10A	
	SPST-NC	A22-M□-01M	A22-M□-01A	
	SPST-NO + SPST-NC	A22-M□-11M	A22-M□-11A	
	DPST-NO	A22-M□-20M	A22-M□-20A	
	DPST-NC	A22-M□-02M	A22-M□-02A	

Non-illuminated (Square Type)

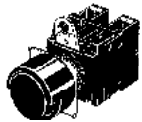

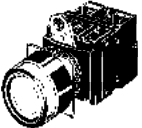
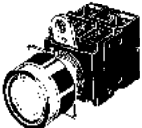
Description			Part number	
Appearance	Contacts	Operator color	Momentary operation	Latching operation
Square/Extended type 	SPST-NO	Insert one of the following letters into the box □. R (red) Y (yellow) G (green) W (white) A (blue) B (black)	A22-C□-10M	A22-C□-10A
	SPST-NC		A22-C□-01M	A22-C□-01A
	SPST-NO + SPST-NC		A22-C□-11M	A22-C□-11A
	DPST-NO		A22-C□-20M	A22-C□-20A
	DPST-NC		A22-C□-02M	A22-C□-02A
Square/Full guard type 	SPST-NO		A22-D□-10M	A22-D□-10A
	SPST-NC		A22-D□-01M	A22-D□-01A
	SPST-NO + SPST-NC		A22-D□-11M	A22-D□-11A
	DPST-NO		A22-D□-20M	A22-D□-20A
	DPST-NC		A22-D□-02M	A22-D□-02A

Illuminated (Round Type)



Description				Part number	
Appearance	Contacts	Rated voltage	Illuminated operator color	Momentary operation	Latching operation
Round/Extended type LED lighting (Without transformer) 	SPST-NO	6 VDC	Insert one of the following letters into the box □. R (red) Y (yellow) G (green) W (white) A (blue)	A22L-T□-6D-10M	A22L-T□-6D-10A
		6 VAC		A22L-T□-6A-10M	A22L-T□-6A-10A
		12 VAC/DC		A22L-T□-12A-10M	A22L-T□-12A-10A
		24 VAC/DC		A22L-T□-24A-10M	A22L-T□-24A-10A
	SPST-NC	6 VDC		A22L-T□-6D-01M	A22L-T□-6D-01A
		6 VAC		A22L-T□-6A-01M	A22L-T□-6A-01A
		12 VAC/DC		A22L-T□-12A-01M	A22L-T□-12A-01A
		24 VAC/DC		A22L-T□-24A-01M	A22L-T□-24A-01A
	SPST-NO + SPST-NC	6 VDC		A22L-T□-6D-11M	A22L-T□-6D-11A
		6 VAC		A22L-T□-6A-11M	A22L-T□-6A-11A
		12 VAC/DC		A22L-T□-12A-11M	A22L-T□-12A-11A
		24 VAC/DC		A22L-T□-24A-11M	A22L-T□-24A-11A
	DPST-NO	6 VDC		A22L-T□-6D-20M	A22L-T□-6D-20A
		6 VAC		A22L-T□-6A-20M	A22L-T□-6A-20A
		12 VAC/DC		A22L-T□-12A-20M	A22L-T□-12A-20A
		24 VAC/DC		A22L-T□-24A-20M	A22L-T□-24A-20A
	DPST-NC	6 VDC		A22L-T□-6D-02M	A22L-T□-6D-02A
		6 VAC		A22L-T□-6A-02M	A22L-T□-6A-02A
		12 VAC/DC		A22L-T□-12A-02M	A22L-T□-12A-02A
		24 VAC/DC		A22L-T□-24A-02M	A22L-T□-24A-02A
Round/Extended type LED transformer lighting (With transformer) 	SPST-NO	110 VAC	A22L-T□-T1-10M	A22L-T□-T1-10A	
		220 VAC	A22L-T□-T2-10M	A22L-T□-T2-10A	
	SPST-NC	110 VAC	A22L-T□-T1-01M	A22L-T□-T1-01A	
		220 VAC	A22L-T□-T2-01M	A22L-T□-T2-01A	
	SPST-NO + SPST-NC	110 VAC	A22L-T□-T1-11M	A22L-T□-T1-11A	
		220 VAC	A22L-T□-T2-11M	A22L-T□-T2-11A	
	DPST-NO	110 VAC	A22L-T□-T1-20M	A22L-T□-T1-20A	
		220 VAC	A22L-T□-T2-20M	A22L-T□-T2-20A	
	DPST-NC	110 VAC	A22L-T□-T1-02M	A22L-T□-T1-02A	
		220 VAC	A22L-T□-T2-02M	A22L-T□-T2-02A	
	Round/Half-guard type LED lighting (Without transformer) 	SPST-NO	6 VDC	A22L-H□-6D-10M	A22L-H□-6D-10A
			6 VAC	A22L-H□-6A-10M	A22L-H□-6A-10A
12 VAC/DC			A22L-H□-12A-10M	A22L-H□-12A-10A	
24 VAC/DC			A22L-H□-24A-10M	A22L-H□-24A-10A	
SPST-NC		6 VDC	A22L-H□-6D-01M	A22L-H□-6D-01A	
		6 VAC	A22L-H□-6A-01M	A22L-H□-6A-01A	
		12 VAC/DC	A22L-H□-12A-01M	A22L-H□-12A-01A	
		24 VAC/DC	A22L-H□-24A-01M	A22L-H□-24A-01A	
SPST-NO + SPST-NC		6 VDC	A22L-H□-6D-11M	A22L-H□-6D-11A	
		6 VAC	A22L-H□-6A-11M	A22L-H□-6A-11A	
		12 VAC/DC	A22L-H□-12A-11M	A22L-H□-12A-11A	
		24 VAC/DC	A22L-H□-24A-11M	A22L-H□-24A-11A	

(This table continues on the next page.)

Ordering Information Table - continued from previous page


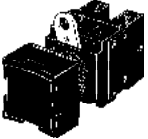
Description				Part number		
Appearance	Contacts	Rated voltage	Illuminated operator color	Momentary operation	Latching operation	
Round/Half-guard type LED lighting (Without transformer) 	DPST-NO	6 VDC	Insert one of the following letters into the box □. R (red) Y (yellow) G (green) W (white) A (blue)	A22L-H□-6D-20M	A22L-H□-6D-20A	
		6 VAC		A22L-H□-6A-20M	A22L-H□-6A-20A	
		12 VAC/DC		A22L-H□-12A-20M	A22L-H□-12A-20A	
		24 VAC/DC		A22L-H□-24A-20M	A22L-H□-24A-20A	
	DPST-NC	6 VDC		A22L-H□-6D-02M	A22L-H□-6D-02A	
		6 VAC		A22L-H□-6A-02M	A22L-H□-6A-02A	
		12 VAC/DC		A22L-H□-12A-02M	A22L-H□-12A-02A	
		24 VAC/DC		A22L-H□-24A-02M	A22L-H□-24A-02A	
	Round/Half-guard type LED lighting (With transformer) 	SPST-NO		110 VAC	A22L-H□-T1-10M	A22L-H□-T1-10A
				220 VAC	A22L-H□-T2-10M	A22L-H□-T2-10A
		SPST-NC		110 VAC	A22L-H□-T1-01M	A22L-H□-T1-01A
				220 VAC	A22L-H□-T2-01M	A22L-H□-T2-01A
SPST-NO + SPST-NC		110 VAC	A22L-H□-T1-11M	A22L-H□-T1-11A		
		220 VAC	A22L-H□-T2-11M	A22L-H□-T2-11A		
DPST-NO		110 VAC	A22L-H□-T1-20M	A22L-H□-T1-20A		
		220 VAC	A22L-H□-T2-20M	A22L-H□-T2-20A		
DPST-NC		110 VAC	A22L-H□-T1-02M	A22L-H□-T1-02A		
		220 VAC	A22L-H□-T2-02M	A22L-H□-T2-02A		
Round/Clear full-guard type LED lighting (Without transformer) 		SPST-NO	6 VDC	A22L-G□-6D-10M	A22L-G□-6D-10A	
			6 VAC	A22L-G□-6A-10M	A22L-G□-6A-10A	
	12 VAC/DC		A22L-G□-12A-10M	A22L-G□-12A-10A		
	24 VAC/DC		A22L-G□-24A-10M	A22L-G□-24A-10A		
	SPST-NC	6 VDC	A22L-G□-6D-01M	A22L-G□-6D-01A		
		6 VAC	A22L-G□-6A-01M	A22L-G□-6A-01A		
		12 VAC/DC	A22L-G□-12A-01M	A22L-G□-12A-01A		
		24 VAC/DC	A22L-G□-24A-01M	A22L-G□-24A-01A		
	SPST-NO + SPST-NC	6 VDC	A22L-G□-6D-11M	A22L-G□-6D-11A		
		6 VAC	A22L-G□-6A-11M	A22L-G□-6A-11A		
		12 VAC/DC	A22L-G□-12A-11M	A22L-G□-12A-11A		
		24 VAC/DC	A22L-G□-24A-11M	A22L-G□-24A-11A		
	DPST-NO	6 VDC	A22L-G□-6D-20M	A22L-G□-6D-20A		
		6 VAC	A22L-G□-6A-20M	A22L-G□-6A-20A		
		12 VAC/DC	A22L-G□-12A-20M	A22L-G□-12A-20A		
		24 VAC/DC	A22L-G□-24A-20M	A22L-G□-24A-20A		
	DPST-NC	6 VDC	A22L-G□-6D-02M	A22L-G□-6D-02A		
		6 VAC	A22L-G□-6A-02M	A22L-G□-6A-02A		
		12 VAC/DC	A22L-G□-12A-02M	A22L-G□-12A-02A		
		24 VAC/DC	A22L-G□-24A-02M	A22L-G□-24A-02A		
	Round/Clear full-guard type LED lighting (With transformer) 	SPST-NO	110 VAC	A22L-G□-T1-10M	A22L-G□-T1-10A	
			220 VAC	A22L-G□-T2-10M	A22L-G□-T2-10A	
		SPST-NC	110 VAC	A22L-G□-T1-01M	A22L-G□-T1-01A	
			220 VAC	A22L-G□-T2-01M	A22L-G□-T2-01A	
SPST-NO + SPST-NC		110 VAC	A22L-G□-T1-11M	A22L-G□-T1-11A		
		220 VAC	A22L-G□-T2-11M	A22L-G□-T2-11A		
DPST-NO		110 VAC	A22L-G□-T1-20M	A22L-G□-T1-20A		
		220 VAC	A22L-G□-T2-20M	A22L-G□-T2-20A		
DPST-NC		110 VAC	A22L-G□-T1-02M	A22L-G□-T1-02A		
		220 VAC	A22L-G□-T2-02M	A22L-G□-T2-02A		

Illuminated (Square Type)

Description				Part number	
Appearance	Contacts	Rated voltage	Illuminated operator color	Momentary operation	Latching operation
Square/Extended type LED lighting (Without transformer) 	SPST-NO	6 VDC	Insert one of the following letters into the box □. R (red) Y (yellow) G (green) W (white) A (blue)	A22L-C□-6D-10M	A22L-C□-6D-10A
		6 VAC		A22L-C□-6A-10M	A22L-C□-6A-10A
		12 VAC/DC		A22L-C□-12A-10M	A22L-C□-12A-10A
		24 VAC/DC		A22L-C□-24A-10M	A22L-C□-24A-10A
	SPST-NC	6 VDC		A22L-C□-6D-01M	A22L-C□-6D-01A
		6 VAC		A22L-C□-6A-01M	A22L-C□-6A-01A
		12 VAC/DC		A22L-C□-12A-01M	A22L-C□-12A-01A
		24 VAC/DC		A22L-C□-24A-01M	A22L-C□-24A-01A
	SPST-NO + SPST-NC	6 VDC		A22L-C□-6D-11M	A22L-C□-6D-11A
		6 VAC		A22L-C□-6A-11M	A22L-C□-6A-11A
		12 VAC/DC		A22L-C□-12A-11M	A22L-C□-12A-11A
		24 VAC/DC		A22L-C□-24A-11M	A22L-C□-24A-11A
	DPST-NO	6 VDC		A22L-C□-6D-20M	A22L-C□-6D-20A
		6 VAC		A22L-C□-6A-20M	A22L-C□-6A-20A
		12 VAC/DC		A22L-C□-12A-20M	A22L-C□-12A-20A
		24 VAC/DC		A22L-C□-24A-20M	A22L-C□-24A-20A
	DPST-NC	6 VDC		A22L-C□-6D-02M	A22L-C□-6D-02A
		6 VAC		A22L-C□-6A-02M	A22L-C□-6A-02A
		12 VAC/DC		A22L-C□-12A-02M	A22L-C□-12A-02A
		24 VAC/DC		A22L-C□-24A-02M	A22L-C□-24A-02A
Square/Extended type LED lighting (With transformer) 	SPST-NO	110 VAC	A22L-C□-T1-10M	A22L-C□-T1-10A	
		220 VAC	A22L-C□-T2-10M	A22L-C□-T2-10A	
	SPST-NC	110 VAC	A22L-C□-T1-01M	A22L-C□-T1-01A	
		220 VAC	A22L-C□-T2-01M	A22L-C□-T2-01A	
	SPST-NO + SPST-NC	110 VAC	A22L-C□-T1-11M	A22L-C□-T1-11A	
		220 VAC	A22L-C□-T2-11M	A22L-C□-T2-11A	
	DPST-NO	110 VAC	A22L-C□-T1-20M	A22L-C□-T1-20A	
		220 VAC	A22L-C□-T2-20M	A22L-C□-T2-20A	
	DPST-NC	110 VAC	A22L-C□-T1-02M	A22L-C□-T1-02A	
		220 VAC	A22L-C□-T2-02M	A22L-C□-T2-02A	

(This table continues on the next page.)

Ordering Information Table - continued from previous page

Description				Part number	
Appearance	Contacts	Rated voltage	Illuminated operator color	Momentary operation	Latching operation
Square/Full-guard type LED lighting (Without transformer) 	SPST-NO	6 VDC	Insert one of the following letters into the box □. R (red) Y (yellow) G (green) W (white) A (blue)	A22L-D□-6D-10M	A22L-D□-6D-10A
		6 VAC		A22L-D□-6A-10M	A22L-D□-6A-10A
		12 VAC/DC		A22L-D□-12A-10M	A22L-D□-12A-10A
		24 VAC/DC		A22L-D□-24A-10M	A22L-D□-24A-10A
	SPST-NC	6 VDC		A22L-D□-6D-01M	A22L-D□-6D-01A
		6 VAC		A22L-D□-6A-01M	A22L-D□-6A-01A
		12 VAC/DC		A22L-D□-12A-01M	A22L-D□-12A-01A
		24 VAC/DC		A22L-D□-24A-01M	A22L-D□-24A-01A
	SPST-NO + SPST-NC	6 VDC		A22L-D□-6D-11M	A22L-D□-6D-11A
		6 VAC		A22L-D□-6A-11M	A22L-D□-6A-11A
		12 VAC/DC		A22L-D□-12A-11M	A22L-D□-12A-11A
		24 VAC/DC		A22L-D□-24A-11M	A22L-D□-24A-11A
	DPST-NO	6 VDC		A22L-D□-6D-20M	A22L-D□-6D-20A
		6 VAC		A22L-D□-6A-20M	A22L-D□-6A-20A
		12 VAC/DC		A22L-D□-12A-20M	A22L-D□-12A-20A
		24 VAC/DC		A22L-D□-24A-20M	A22L-D□-24A-20A
	DPST-NC	6 VDC		A22L-D□-6D-02M	A22L-D□-6D-02A
		6 VAC		A22L-D□-6A-02M	A22L-D□-6A-02A
		12 VAC/DC		A22L-D□-12A-02M	A22L-D□-12A-02A
		24 VAC/DC		A22L-D□-24A-02M	A22L-D□-24A-02A
Square/Full-guard type LED lighting (Without transformer) 	SPST-NO	110 VAC	A22L-D□-T1-10M	A22L-D□-T1-10A	
		220 VAC	A22L-D□-T2-10M	A22L-D□-T2-10A	
	SPST-NC	110 VAC	A22L-D□-T1-01M	A22L-D□-T1-01A	
		220 VAC	A22L-D□-T2-01M	A22L-D□-T2-01A	
	SPST-NO + SPST-NC	110 VAC	A22L-D□-T1-11M	A22L-D□-T1-11A	
		220 VAC	A22L-D□-T2-11M	A22L-D□-T2-11A	
	DPST-NO	110 VAC	A22L-D□-T1-20M	A22L-D□-T1-20A	
		220 VAC	A22L-D□-T2-20M	A22L-D□-T2-20A	
	DPST-NC	110 VAC	A22L-D□-T1-02M	A22L-D□-T1-02A	
		220 VAC	A22L-D□-T2-02M	A22L-D□-T2-02A	

Dimensions

Unit: mm (inch)

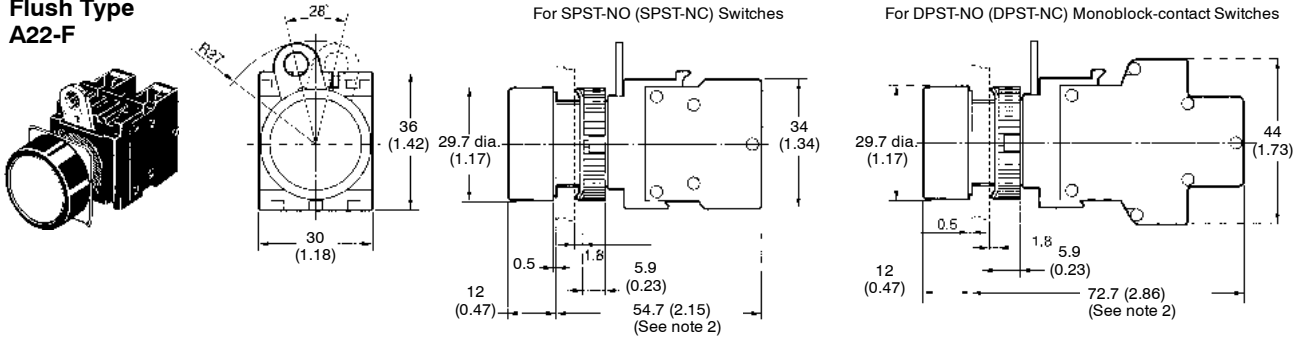
Note: 1. The following illustrations are for momentary operation.

2. Latching operation models are 9.2 mm (0.36 in) longer.

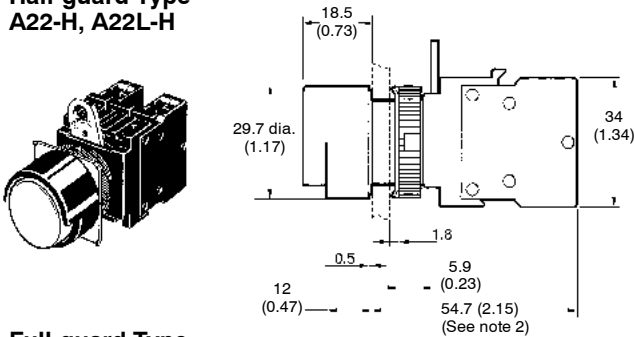
3. Illuminated models have the same dimensions as shown below, whether they are with transformers or without transformers.

■ ILLUMINATED/NON-ILLUMINATED PUSHBUTTON SWITCHES

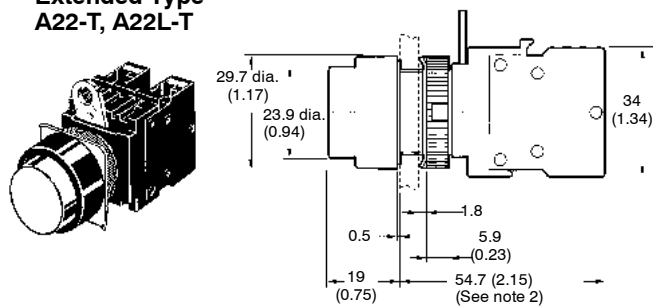
**Flush Type
A22-F**



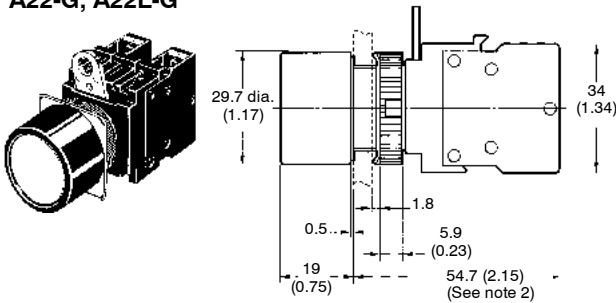
**Half-guard Type
A22-H, A22L-H**



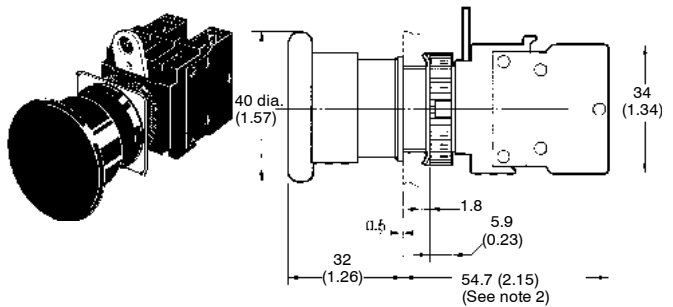
**Extended Type
A22-T, A22L-T**



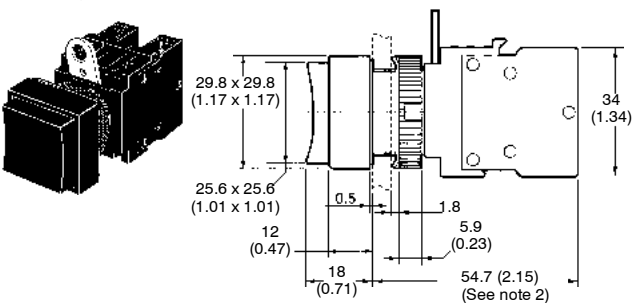
**Full-guard Type
A22-G, A22L-G**



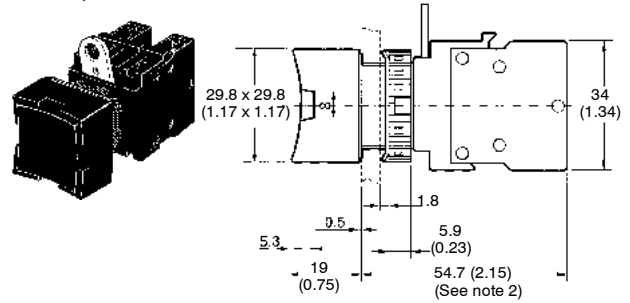
**40-dia. Mushroom Type
A22-M**



**Square/Extended Type
A22-C, A22L-C**

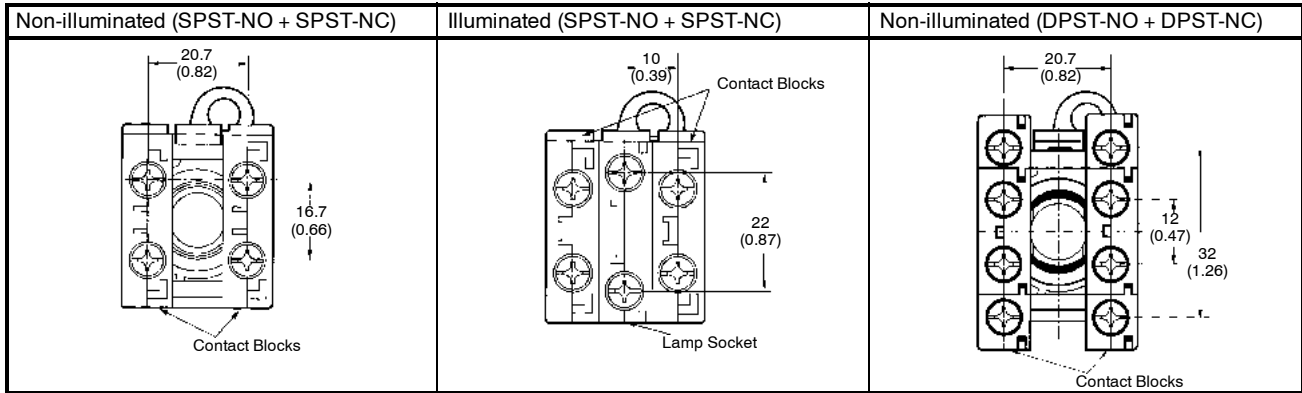


**Square Flush Type
A22-D, A22L-D**

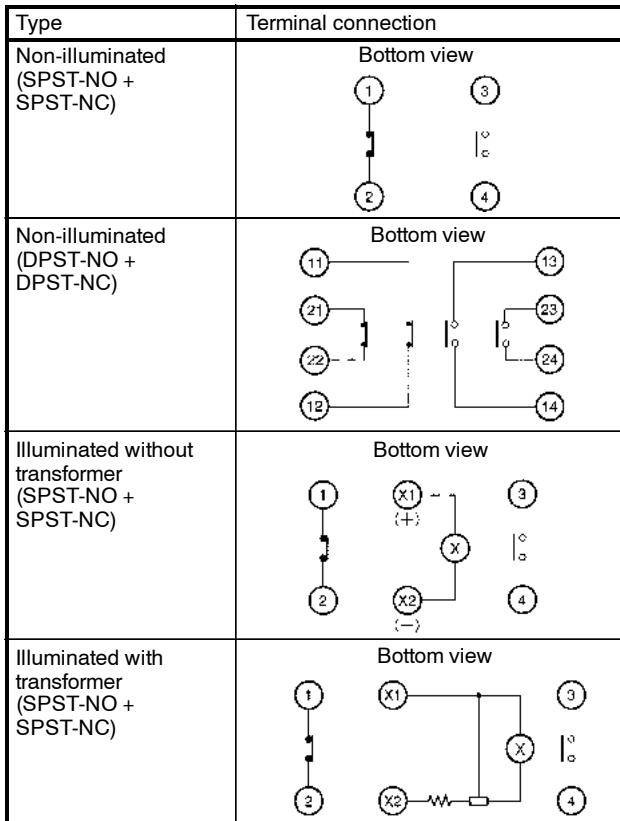


■ TERMINAL ARRANGEMENT

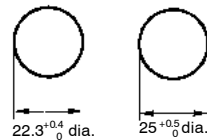
Terminal Arrangement (Bottom View)



■ TERMINAL CONNECTION



■ PANEL CUTOUT DIMENSIONS



Note: When applying a coating such as paint to a panel, the dimensions should be those after the application of the coating.
A lock fitting is provided as a standard item.

Note: For additional specifications and information refer to the *Common to all assemblies* section at the end of this publication.

NOTE: DIMENSIONS SHOWN ARE IN MILLIMETERS. To convert millimeters to inches divide by 25.4.

OMRON[®]

OMRON ELECTRONICS LLC

One East Commerce Drive
Schaumburg, IL 60173

1-800-55-OMRON

OMRON ON-LINE

Global - <http://www.omron.com>
USA - <http://www.omron.com/oei>
Canada - <http://www.omron.com/oci>

OMRON CANADA, INC.

885 Milner Avenue
Scarborough, Ontario M1B 5V8

416-286-6465