

APPLICATIONS

- INJECTION MOLDING MACHINES
- PRINTING PRESSES
- MEAT PACKING EQUIPMENT
- DRILL PRESSES
- WOODWORKING MACHINES
- CRANES
- FRONT-END LOADERS
- SCALES
- SEMI CONDUCTOR PROCESSING

DURASTAR • RODLESS LINEAR POSITION TRANSDUCER

The DuraStar™ rodless linear position transducer incorporates over fifty years of MystR® technology into the longest lasting factory-rugged potentiometer. It allows for a large misalignment of shafts and housing, while providing whisper-quiet operation and smooth, clean signal output. MystR provides the DuraStar excellent durability, especially in dither life which is so often the determining factor in a potentiometer's life. It is the perfect replacement unit to reduce maintenance operations.

The rodless side-sealed DuraStar can also be used to replace a rodDED potentiometer in contaminated applications. As a replacement unit, it will improve performance while providing long life.

Intrinsically Safe for Class I, II, and III Division 1, Groups A, B, C, D, E, F and G for Hazardous (indoor/outdoor) NEMA 4 locations. V max = 30 V, I max = 100 mA, Ci = 0, uF, Li = 0 mH.



DURASTAR SERIES
RODLESS LINEAR POSITION TRANSDUCER

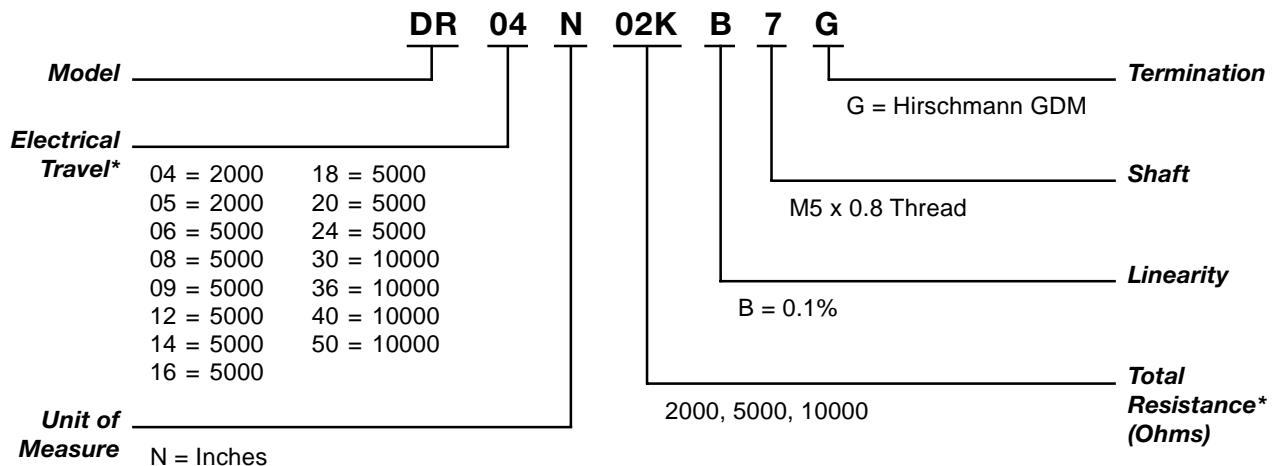
FEATURES

- Vibration damped element
- Extended side bearing
- Extruded wiper carrier guides
- Rugged ribbed housing
- Precious metal wipers
- MystR® plastic elements
- High DC level output
- High performance bearings
- Absolute continuous measurement

BENEFIT

- No wiper bounce in high vibration environments
- Improved life under high misalignment
- Smooth operation under large misalignment
- For industrial environment
- Insures high performance, low noise, no oxidation
- Tested up to 1 billion operations
- Works with simple controllers
- Long life even under side-load conditions
- Accurate position at power-up

HOW TO ORDER



Note: Not all combinations are available. Minimum quantity orders apply. Contact the factory for more details.

* Note: The *Electrical Travel* correlates to the *Total Resistance (Ohms)*.

TECHNICAL SPECIFICATIONS

MECHANICAL

Total Mechanical Travel	4.2 to 50.2 in. (106 to 1275 mm)
Starting Force	1.0 lb (0.45 kg)
Total Weight	0.8 to 4.9 lb (0.36 to 2.2 kg)
Vibration	20 g rms 0.75 mm 5 Hz to 2 kHz
Shock	50 g 11 ms half sine
Backlash	0.001 in. (0.025 mm)
Life	One Billion dither operations

ELECTRICAL

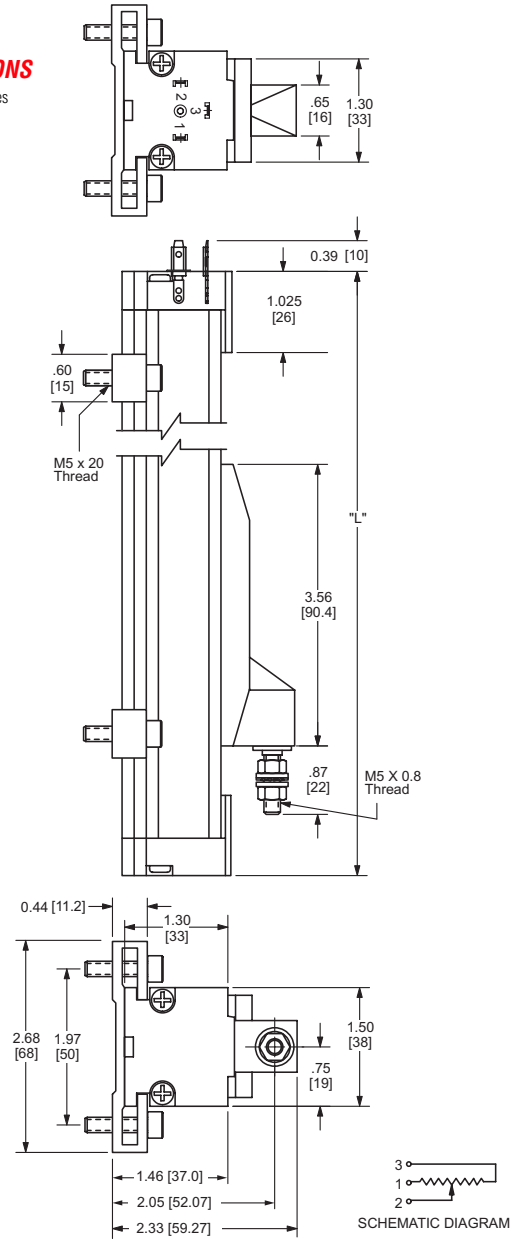
Theoretical Electrical Travel	4.0 to 50 in. (101.6 to 1270 mm)
Independent Linearity	0.1% from 0 to 100% of Theoretical Electrical Travel
Total Resistance	See How To Order
Resistance Tolerance	±20%
Insulation Resistance	1000 M Ohms @ 500 Vdc
Dielectric Strength	1000 Vrms
Operating Temperature	-65° to 105°C (-85° to 221°F)
Resolution	Infinite
Max Applied Voltage	75.0 Vdc
Recommended Wiper Current	<1 µA
Electrical Connection	DIN 43650 Connector or equivalent

Caution: Do not test on an Ohm Meter on the Rx 1 scale or other current devices.
Caution: Excessive Wiper Current can cause Output errors or damage.
Caution: Zero shaft side load is recommended to achieve maximum life.

Model	Body Length 'L' in inches	Model	Body Length 'L' in inches
DR04	9.84	DR18	23.82
DR05	11.02	DR20	25.83
DR06	11.81	DR24	29.84
DR08	13.86	DR30	35.83
DR09	14.80	DR36	41.83
DR12	17.80	DR40	45.83
DR14	20.24	DR50	55.83
DR16	21.81		

DIMENSIONS

xx.xx = inches
(xx.x) = mm



WARRANTY/REMEDY

Honeywell warrants goods of its manufacture as being free of defective materials and faulty workmanship. Contact your local sales office for warranty information. If warranted goods are returned to Honeywell during the period of coverage, Honeywell will repair or replace without charge those items it finds defective. The foregoing is Buyer's sole remedy and is in lieu of all other warranties, expressed or implied, including those of merchantability and fitness for a particular purpose.

Specifications may change without notice. The information we supply is believed to be accurate and reliable as of this printing. However, we assume no responsibility for its use.

While we provide application assistance personally, through our literature and the Honeywell web site, it is up to the customer to determine the suitability of the product in the application.

Item # 1101500 M.G. 10/01

Honeywell

Sensing and Control
Honeywell
100 Discovery Way
Acton, MA 01720 USA



Tel: (877) 384-1300; Fax: (978) 263-0630

www.honeywell.com/sensing/products/di