

Distributed by:



www.Jameco.com ♦ 1-800-831-4242

The content and copyrights of the attached material are the property of its owner.

Jameco Part Number 1581468

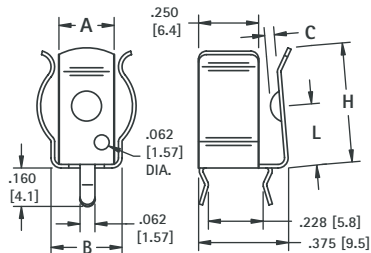


- Available for "A" · "AA" · "AAA" · "AAAA" · "N" size batteries
- Mounts securely to the PC board with advanced "Snap-In" design for thru hole mounting
- "Snap-In" clip holds firmly for wave soldering
- Reliable spring tension assures low contact resistance
- Low profile, economical design
- Retains battery securely to withstand shock and vibration

No Ears

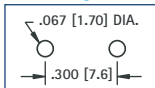


For "A" · "AA" · "AAA" · "N"



Refer to page 25 for Battery Contact Layout & Mounting Details

Mounting Detail

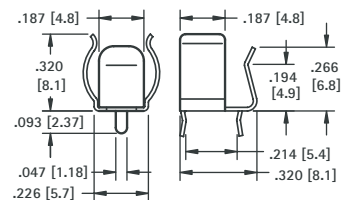


MATERIAL:

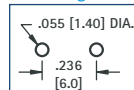
Spring Steel Tin Nickel Plate



For "AAAA"



Mounting Detail



MATERIAL: .010 (.25) thick Spring Steel, Tin Nickel Plate

CAT. NO. 51

CAT. NO.	A	B	C	H	L	MATERIAL THICKNESS	BATTERY DIAMETER	BATTERY SIZE
52	.250 (6.4)	-	.032 (0.8)	.500 (12.7)	.280 (7.1)	.010 (.25)	No Ears	"A" · "AA"
92	.312 (7.9)	.375 (9.5)	.056 (1.4)	.593 (15.1)	.359 (9.1)	.012 (.30)	531-665 (13.5-16.9)	
2915	.312 (7.9)	.375 (9.5)	.050 (1.3)	.593 (15.1)	.359 (9.1)	.015 (.39)		"AAA" · "N"
82	.250 (6.4)	.300 (7.6)	.040 (1.0)	.500 (12.7)	.280 (7.1)	.010 (.25)		"AAAA"
51	See drawing for Cat. No. 51							

SURFACE MOUNT BATTERY CLIPS

AVAILABLE ON TAPE AND REEL

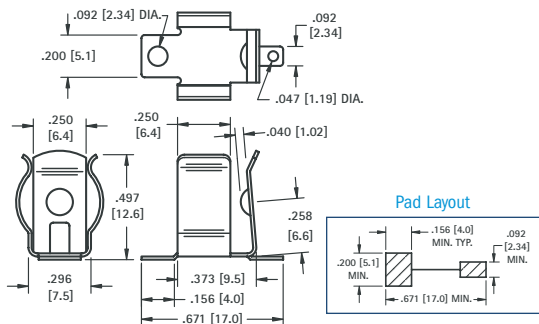
- Low profile for densely packed PCBs
- "Flow-Hole" SMT solder tail design for increased joint strength
- Retains cell securely, withstands shock and vibration
- All conductive polystyrene carrier tape meets ANSI/EIA -481 standard

MATERIAL: .010 (.25) thick Spring Steel, Tin Nickel Plate

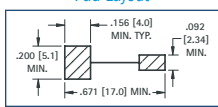
Refer to page 25 for Battery Contact Layout & Mounting Details



For "AAA" · "N"



Pad Layout

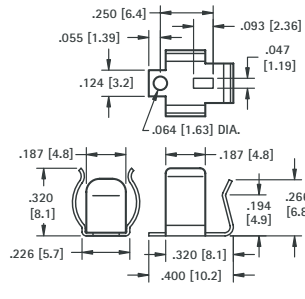


CAT. NO. 55 (Bulk)

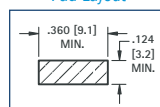
CAT. NO. 55TR (Tape & Reel)

Tape & Reel Spec's: 32mm wide; 16mm pitch; 13 inch reel, (300 pieces per reel)

For "AAAA"



Pad Layout



CAT. NO. 50 (Bulk)

CAT. NO. 50TR (Tape & Reel)

Tape & Reel Spec's: 24mm wide; 16mm pitch; 13 inch reel, (500 pieces per reel)

ECONOMY CONTACTS

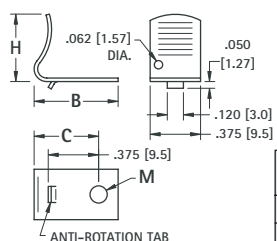
For "AA" · "C" · "D"

- Designed for mounting in self-contained, non-metallic battery compartments.
- Reliable spring tension assures low contact resistance.
- Recessed contact holds battery in place.
- All clips have anti-rotation tab.

MATERIAL: .016 (.41) thick Spring Steel, Nickel Plate



FIG. 1



CAT. NO.	FIG. NO.	B	C	H	M MTG. HOLE	CELL SIZE
206	1	.625 (15.9)	.480 (12.2)	.500 (12.7)	.128 (3.3)	"AA"
207	2	.687 (17.4)	.547 (13.9)	.875 (22.2)	.128 (3.3)	"C"
208	2	.750 (19.1)	.562 (14.3)	1.260 (32.0)	.128 (3.3)	"D"

Refer to page 25 for Battery Contact Layout & Mounting Details

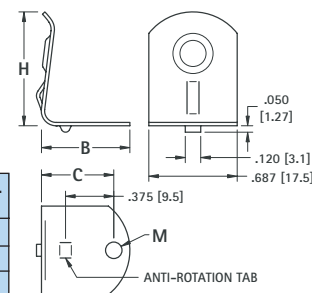
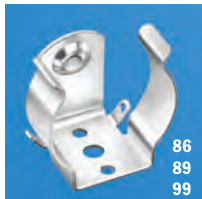


FIG. 2

RUGGED STEEL BATTERY CLIPS

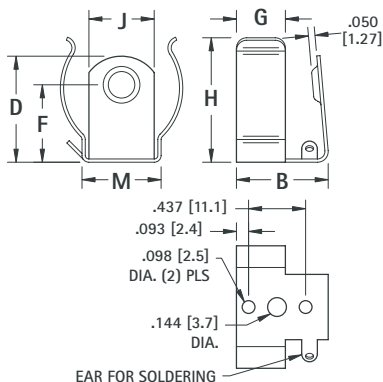
For "AA" • "C" • "D"



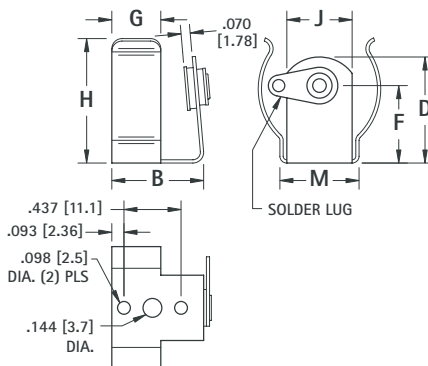
86
89
99

SPECIFICATIONS Clips: Spring Steel, Nickel Plate **Contact Eyelets:** Brass, Nickel Plate
Insulating Washers: Moisture Proof, Resin Impregnated Fibre **Solder Lugs:** Brass, Tin Plate

- Available with insulated or non-insulated contact. Positive contact grips battery securely.



DWG. 1
Non-Insulated Contact



DWG. 2
Insulated Contact

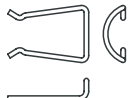


87
88
100

CAT. NO.	DWG. NO.	B	C	D	F	G	H	J	M	STEEL THICKNESS	BATTERY DIAMETER MIN. - MAX.	CELL SIZE
86	1	.703 (17.9)	.391 (9.9)	.812 (20.6)	.593 (15.1)	.375 (9.5)	.937 (23.8)	.500 (12.7)	.605 (15.4)	.020 (.51)	.875 to 1.125 (22.2 to 28.6)	"C"
87	2											
88	2	.775 (19.7)	.463 (11.8)	1.075 (27.3)	.750 (19.1)	.437 (11.1)	1.187 (30.1)	.500 (12.7)	.609 (15.5)	.020 (.51)	1.187 to 1.350 (30.1 to 34.3)	"D"
89	1											
99	1	.703 (17.9)	.391 (9.9)	.609 (15.5)	.375 (9.5)	.375 (9.5)	.609 (15.5)	.312 (7.9)	.353 (9.0)	.015 (.39)	.531 to .650 (13.5 to 16.5)	"AA"
100	2											

BATTERY RETAINER CLIPS

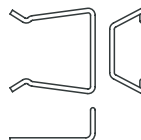
- Prevents battery from loosening in battery holder
- Retainer clip slips on the ears of the battery holder clip



Retainer for "AA" or cells with diameters of .532 (13.5) to .562 (14.3).
Used with Keystone Battery Clips
Cat. No. 91, 92, 95, 99, 100 and 2915.

MATERIAL: Stainless Steel

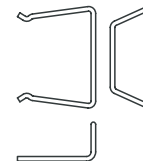
CAT. NO. 61



Retainer for "C" cells or similar size batteries to 1.032 (26.2) diameter.
Used with Keystone Battery Clips
Cat. No. 86, 87, 93 and 222.

MATERIAL: Spring Steel, Nickel Plate

CAT. NO. 62



Retainer for "D" cells or similar size batteries to 1.343 (34.1) diameter. Used with Keystone Battery Clips Cat. No. 88, 89 and 94.

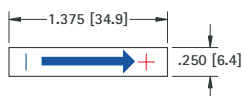
MATERIAL: Spring Steel, Nickel Plate

CAT. NO. 63

POLARITY INDICATING LABEL

- No Gluing or Wetting Needed
- Economical
- Pressure Sensitive Adhesive Back
- Adheres To All Surfaces

Recommended where proper polarity of battery insertion or circuit polarity is to be shown. Labels are two color, (+) positive side red; arrow, (-) negative side blue.

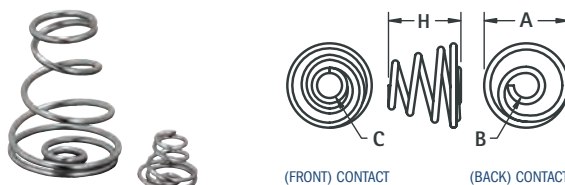


CAT. NO. 58

BATTERY SPRING CONTACTS

For "A" • "AA" • "C" • "D"

Easy to assemble with eyelets or rivets. Refer to page 124.



CAT. NO.	H	A	B	C	MATERIAL	CELL SIZE
211	.290 (7.4)	.335 (8.5)	.100 (2.5)	.140 (3.6)	.025 (.64) Dia. Spring Steel, Nickel Plate	"A" • "AA"
211-D	.850 (21.6)	.650 (16.5)	.162 (4.1)	.300 (7.6)	.040 (1.0) Dia. Spring Steel, Nickel Plate	"C" • "D"

INSULATED POLARIZING WASHERS

Prevents improper connection of battery which may cause damage to electronic equipment. Washers hold securely when snapped over eyelets. Used on our standardized battery holders. For "AA", "C" & "D" cells.



CAT. NO. 59 (RED)

CAT. NO. 60 (BLACK)

MATERIAL: Molded Polyethylene