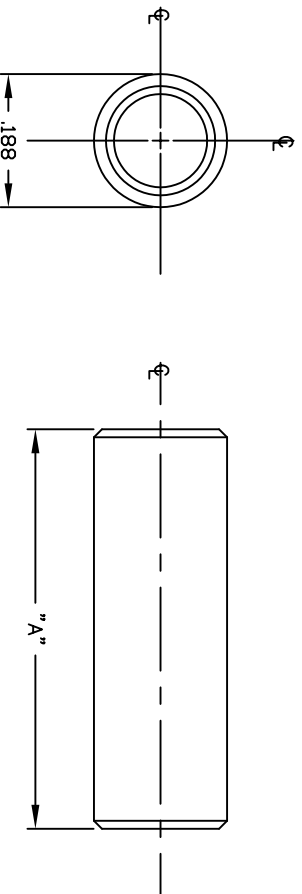
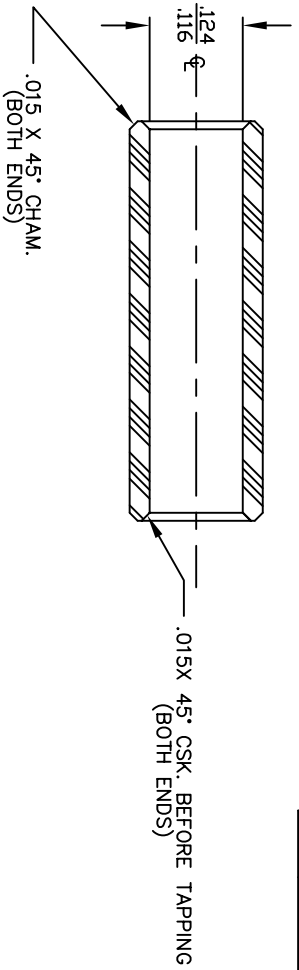


REVISIONS		REVISED BY	DATE	APPR
SYM	DESCRIPTION			



SPACERS	PART NO.	DIM "A"
	9015	.125
	9016	.187
	9017	.250
	9018	.312
	9019	.375
	9020	.437
	9021	.500
	9022	.562
	9023	.625
	9024	.687
	9025	.750
	9026	.812
	9027	.875
	9028	.937
	9029	1.000

MATERIAL BRASS 360 1/2 HARD	FINISH NICKEL	TITLE		BRASS ROUND 3/16"		Electronic Connectors and Hardware 632 Arch Street, Meadville, Pa. 16335	
DIMENSIONAL TOLERANCES UNLESS OTHERWISE SPECIFIED		XX	XXX	XXXX	#4 CLEARANCE		
FRACTIONS		ANGLES		SCALE	NONE		
HEAT TREAT	---	DRAWN	T. LORD	DATE	02/10/03	SIZE	B
PLDT SCALE	1=1	CHECKED	T. LORD	DATE	02/10/03	DRAWING NUMBER	SD: SMP-00414
		APPROVED	T. LORD	DATE	02/10/03	ISSUE	A

ABBATRON