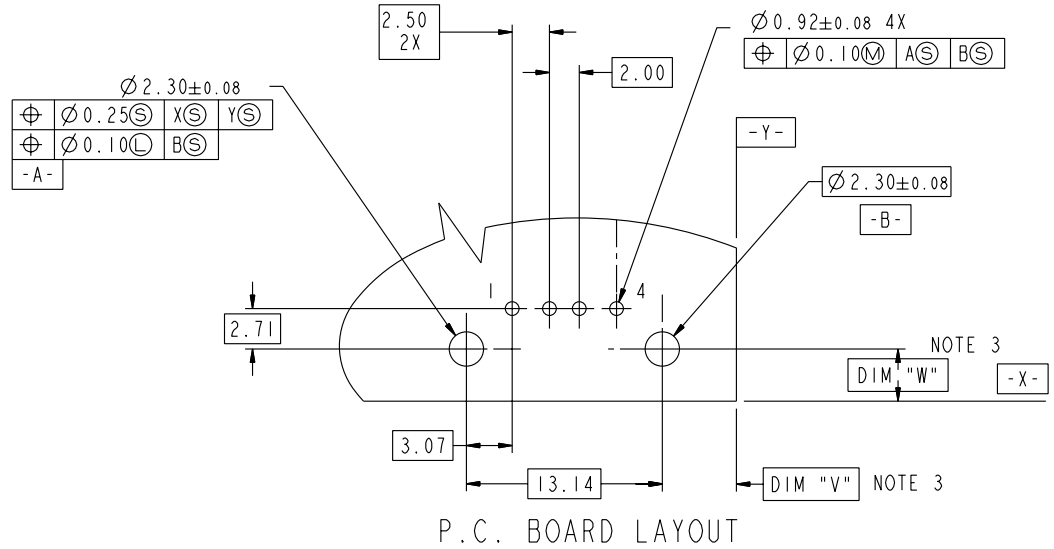
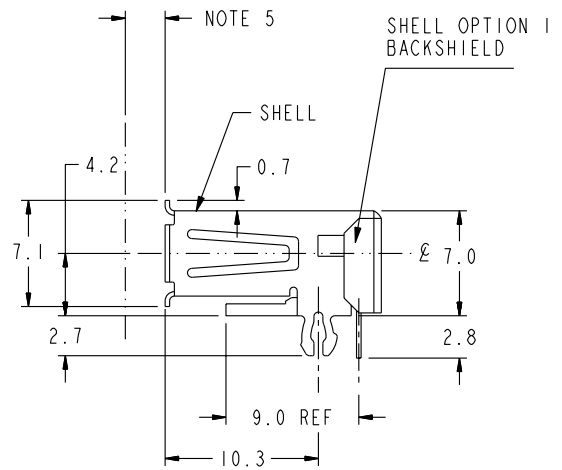
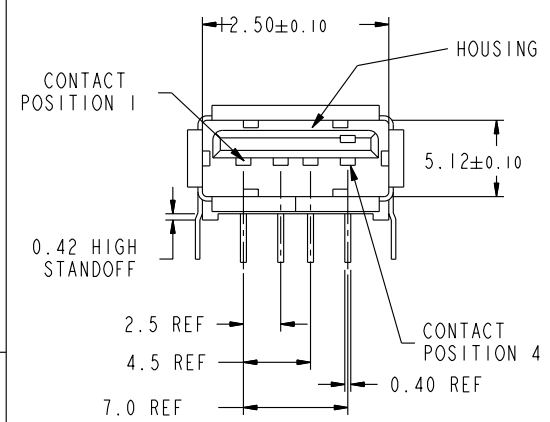
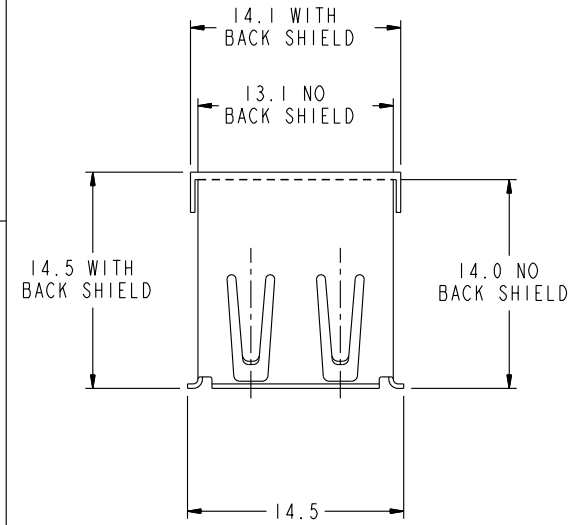




Copyright FCI.



NOTES:

- MATERIAL:  
CONTACTS: COPPER ALLOY  
SHELL: COPPER ALLOY  
HOUSING: UL 94V-0 RATED THERMOPLASTIC
- PLATING:  
CONTACTS: SEE PRODUCT NUMBER CODE  
SHELL: 2.5µm BRIGHT TIN OVER NICKEL UNDERPLATE  
SEE PRODUCT NUMBER CODE
- DATUM AND BASIC DIMENSIONS ESTABLISHED BY CUSTOMER
- RECOMMENDED PC BOARD THICKNESS OF 1.57mm (EXCEPT STYLE 5)
- 2.67mm MAXIMUM PANEL THICKNESS IF MOUNTED BEHIND PANEL
- CONTACT PLATING CODE OPTION 1 DOES NOT MEET THE PLATING SPECIFIED PER UNIVERSAL SERIAL BUS SPECIFICATION REVISION 1.0
- PRODUCT SPEC GS-12-095 & PACKAGING SPEC GS-14-393.
- COMPLIED WITH USB 2.0 & TID NUMBER 60000204
- 87520-1010XX, -1012XX, 3010XX, -3012XX, -5010XX, -6010XX AND -7010XXLF DURABILITY MET 5000 CYCLES THE OTHER DASH NUMBER MET USB 2.0 DURABILITY 1500 CYCLES.  
(TO BE CONTINUED)

rev	ecn no	dr	date
AB	N05-0068	PH	03/09/05
AC	N05-0089	PH	03/24/05
AD	N05-0176	PH	06/20/05
AE	N06-0101	HB	04/13/06
AF	N07-0176	WG	07/31/07
AG	N08-0012	R.B	2008/01/23
-	-	-	-

www.fciconnect.com		surface <input checked="" type="checkbox"/>	tolerance std	projection	MM
		TOLERANCES UNLESS OTHERWISE SPECIFIED			
Dr	FUSSELMAN	3/1/96	ANGULAR	0.X	±0.50
Eng	J. DAVID	3/1/96	LINEAR	0.XX	±0.30
Chr	J. DAVID	6/5/96	0° ±3°	0.XXX	±
Appr	J. DAVID	6/5/96	Product family		Spec ref
FCI USB RECEPTACLE				dwg no	87520
USB				Rev.	AG
catalog no				CUSTOMER	sheet 1 of 3

REV F - 2006-04-17

PRODUCT NUMBER CODE

87520- X X X X X P X LF

BASE PRODUCT NUMBER

HOUSING COLOR OPTIONS

- 0 - WHITE+SHELL TIN & NICKEL PLATING
- 1 - BLACK+SHELL TIN & NICKEL PLATING
- 2 - WHITE+SHELL NICKEL PLATING ONLY
- 3 - BLACK+SHELL NICKEL PLATING ONLY
- 4 - WHITE FR50 + SHELL TIN & NICKEL PLATING FOR NON LEAD FREE P/N'S  
CHANGE WHITE FR50 TO WHITE PA46 FOR LEAD FREE P/N'S
- 5 - BLACK NYLON 66 + SHELL TIN & NICKEL PLATING FOR NON LEAD FREE P/N'S  
CHANGE BLACK NYLON 66 TO BLACK PA46 FOR LEAD FREE P/N'S
- 6 - WHITE FR50+SHELL TIN & NICKEL PLATING FOR NON LEAD FREE P/N'S  
CHANGE WHITE FR50 TO WHITE PA46 FOR LEAD FREE P/N'S
- 7 - WHITE PA46+SHELL TIN & NICKEL PLATING

SHELL OPTION

- 0 - NO BACK SHIELD, SEE STYLE 1 FOR DURABILITY 1500 CYCLES  
SEE STYLE 4 FOR DURABILITY 5000 CYCLES
- 1 - BACK SHIELD, SEE STYLE 2
- 2 - PARTIAL BACK SHIELD, SEE STYLE 3

MOUNTING HOLE OPTIONS

- 1 - NONE

TERMINAL PLATING OPTION

- 0 - 1.25um Ni UNDERPLATE  
0.76um GXT CONTACT AREA  
2.50um TIN/LEAD TAIL AREA FOR P/N'S
- 2 - 1.25um Ni UNDERPLATE  
0.76um /30u" GOLD CONTACT AREA  
2.50um TIN/LEAD TAIL AREA FOR P/N'S

PACKAGING OPTIONS

- A - TAPE AND REEL
- B - TUBES

DATE CODE

SPECIAL OPTION:

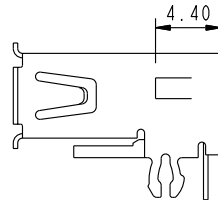
- S: PANASONIC ONLY
- B: FOR 1.20mm THICKNESS PCB

LEAD FREE OPTION

P/N'S WITH SUFFIX "LF" MEAN LEAD FREE PRODUCT  
FOR LEAD FREE P/N, CHANGE ALL ORIGINAL TIN/LEAD PLATING TO PURE TIN PLATING

(CONTINUED)

- 10. PACKING STANDARD GS-14-920  
WILL BE APPLIED FOR LEAD FREE P/N'S
- 11. FOR LEAD FREE P/N, THE PRODUCT  
MEET EUROPEAN UNION DIRECTIVES  
AND OTHER COUNTRY REGULATION  
AS DESCRIBED IN GS-22-008
- 12. THE HOUSING WILL WITHSTAND  
EXPOSURE TO 260°C PEAK  
TEMPERATURE FOR 40 SECONDS IN  
A CONVECTION, INFRO-RED OR  
VAPOR PHASE REFLOW OVEN.
- 13. 87520-1010XXLF, -3010XXLF, -5010XXLF  
CAN WITHSTAND 2 Amps  
CURRENT EITHER PARALLEL OR  
SERIALS ( TESTING  
PLUG WITH 20 AWG WIRE ).

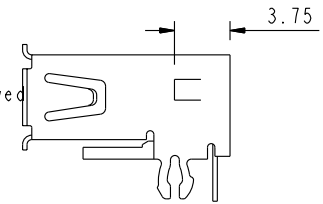


STYLE 4 WITHOUT BACK SHELL  
FOR 87520-1010XX/1010XXLF

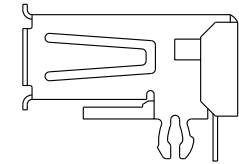
- 1012XX/1012XXLF
- 3010XX/3010XXLF
- 3012XX/3012XXLF
- 5012XX/5012XXLF
- 6010XX/6010XXLF
- 7010XXLF/7010XXSFLF

Available p/n's in FCI are followed

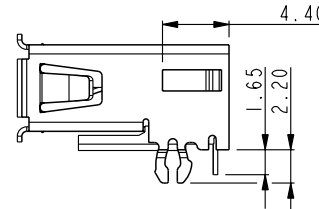
- 87520-0010XX/0010XXLF
- 87520-0012XX/0012XXLF
- 87520-0210XX/0210XXLF
- 87520-1010XX/1010XXLF
- 87520-1012XX/1012XXLF
- 87520-0110XX/0110XXLF
- 87520-0112XX/0112XXLF
- 87520-1110XX/1110XXLF
- 87520-1112XX/1112XXLF
- 87520-2010XX/2010XXLF
- 87520-2012XX/2012XXLF
- 87520-2110XX/2110XXLF
- 87520-2112XX/2112XXLF
- 87520-2210XX/2210XXLF
- 87520-3010XX/3010XXLF
- 87520-3012XX/3012XXLF
- 87520-3110XX/3110XXLF
- 87520-3112XX/3112XXLF
- 87520-4010XX/4010XXLF
- 87520-4110XX/4110XXLF
- 87520-5010XX/5010XXLF/5010XXSFLF
- 87520-5110XX/5110XXLF
- 87520-6010XX/6010XXLF
- 87520-7010XXLF/7010XXSFLF



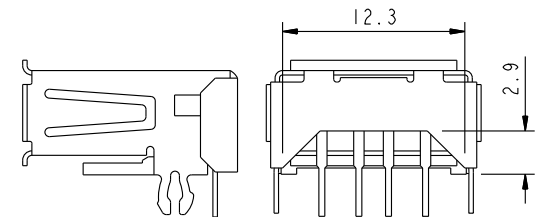
STYLE 1 WITHOUT BACK SHELL



STYLE 2 WITH BACK SHELL



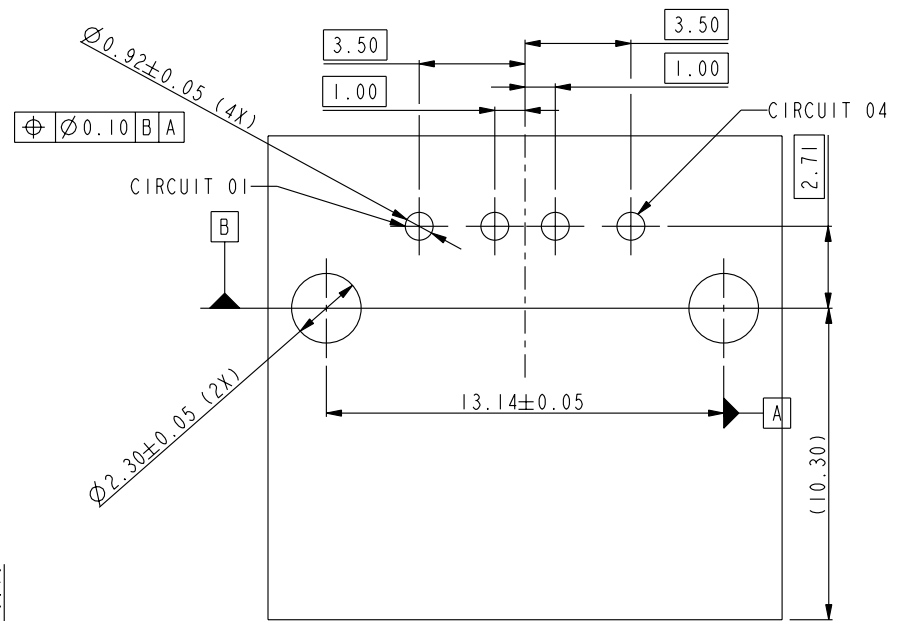
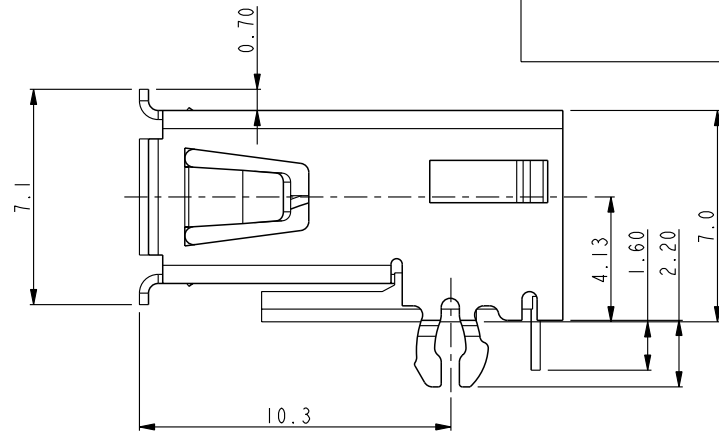
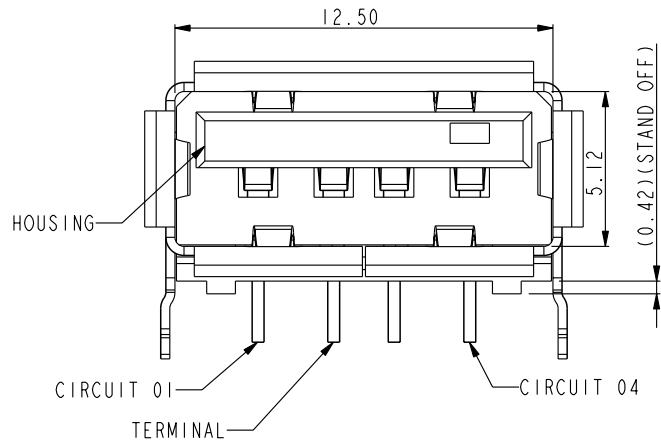
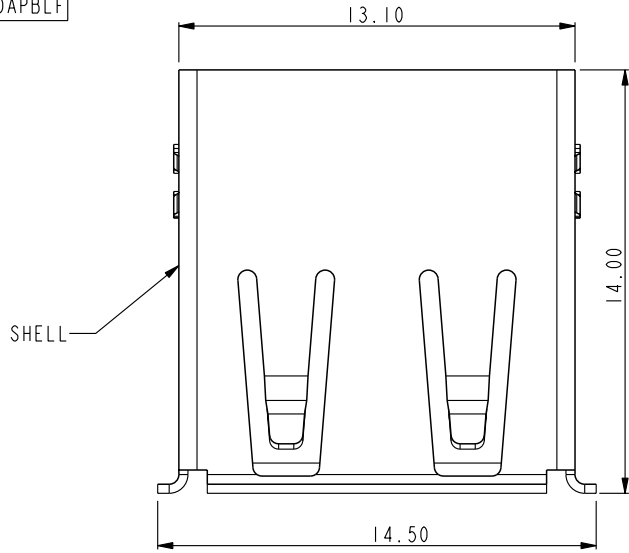
STYLE 5 WITHOUT BACK SHELL  
FOR 1.20mm THICKNESS PCB  
87520-3010APBLF



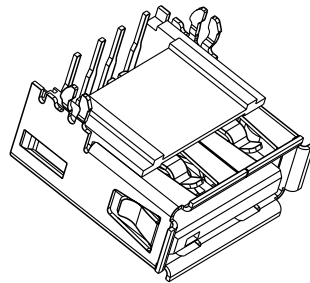
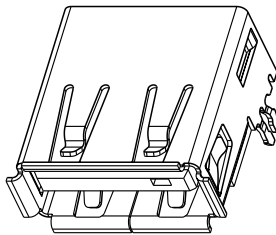
STYLE 3 WITH PARTIAL BACK SHELL

www.fciconnect.com			surface <input checked="" type="checkbox"/>	tolerance std	projection	MM	
			TOLERANCES UNLESS OTHERWISE SPECIFIED				
Dr	FUSSELMAN	3/1/96	ANGULAR	LINEAR	0.X	±0.50	
Eng	J. DAVID	3/1/96			0.XX	±0.30	size A4
Chr	J. DAVID	6/5/96	0°	±3°	0.XXX	±	ECN
Appr	J. DAVID	6/5/96	Product family			Spec ref	
FCI		title USB RECEPTACLE		dwg no 87520		Rev. AG	
		catalog no		CUSTOMER		sheet 2 of 3	

PART NUMBER  
87520-3010APBLF



RECOMMENDED PCB LAYOUT  
COMPONENT SIDE



www.fciconnect.com		surface	tolerance std	projection	MM
		✓		⊕	↔
		TOLERANCES UNLESS OTHERWISE SPECIFIED			
Dr	FUSSELMAN	3/1/96	ANGULAR	0.X	±0.50
Eng	J. DAVID	3/1/96	LINEAR	0.XX	±0.30
Chr	J. DAVID	6/5/96	0° ±3°	0.XXX	±
Appr	J. DAVID	6/5/96	Product family	size	A4
				Scale	4.000
				ECN	
				Spec ref	
FCI		title		87520	Rev.
		USB RECEPTACLE			AG
		USB			
catalog no		CUSTOMER		sheet 3 of 3	