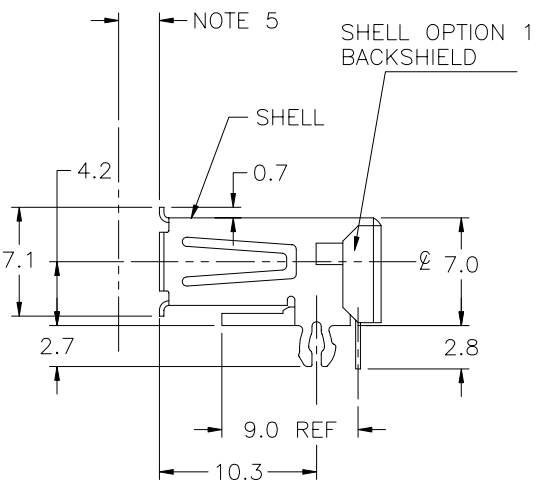
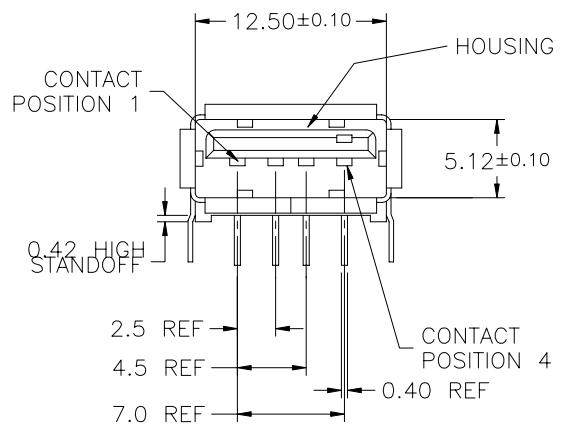
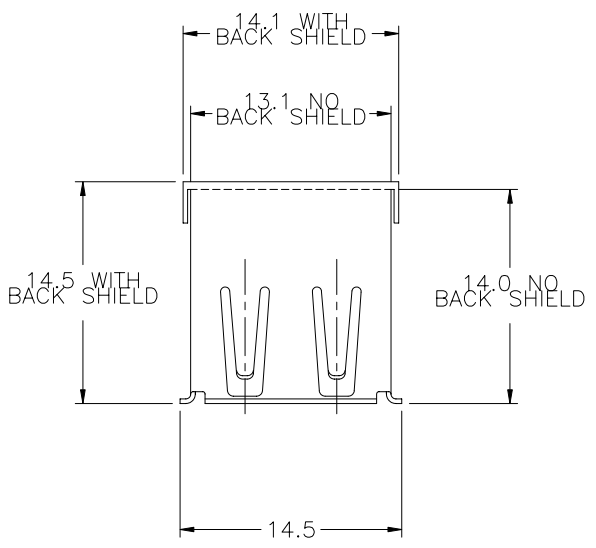


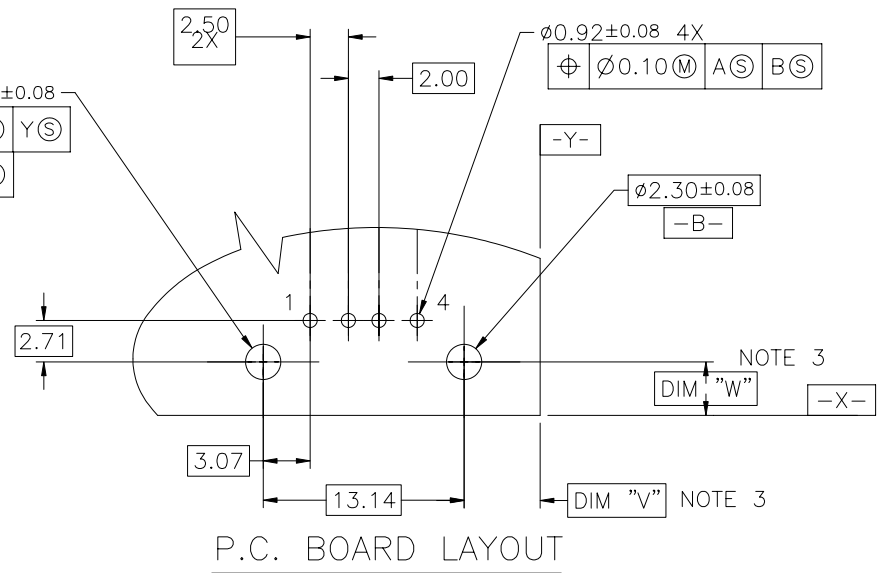
Tous droits strictement réservés. Reproduction ou communication a des tiers interdite sous quelque forme que ce soit sans autorisation écrite du propriétaire. Propriété de ©BERG ELECTRONICS. Droits de reproduction BERG ELECTRONICS INC.

All rights strictly reserved. Reproduction or issue to third parties in any form whatever is not permitted without written authority from the proprietor. Property of ©BERG ELECTRONICS Copyright BERG ELECTRONICS INC.

PRODUCT NO.  
SEE PRODUCT NUMBER CODE



⊕	∅0.25	Ⓢ	X	Ⓢ	Y	Ⓢ
⊕	∅0.10	Ⓢ	L	Ⓢ	B	Ⓢ
-	A	-				



P.C. BOARD LAYOUT

- NOTES:
- MATERIAL:  
CONTACTS: COPPER ALLOY  
SHELL: COPPER ALLOY  
HOUSING: UL 94V-0 RATED THERMOPLASTIC
  - PLATING:  
CONTACTS: SEE PRODUCT NUMBER CODE  
SHELL: 2.5μm BRIGHT TIN OVER NICKEL UNDERPLATE  
SEE PRODUCT NUMBER CODE
  - DATUM AND BASIC DIMENSIONS ESTABLISHED BY CUSTOMER
  - RECOMMENDED PC BOARD THICKNESS OF 1.57mm
  - 2.67mm MAXIMUM PANEL THICKNESS IF MOUNTED BEHIND PANEL
  - CONTACT PLATING CODE OPTION 1 DOES NOT MEET THE PLATING SPECIFIED PER UNIVERSAL SERIAL BUS SPECIFICATION REVISION 1.0
  - PRODUCT SPEC GS-12-095 & PACKAGING SPEC GS-14-393.
  - COMPLIED WITH USB 2.0 & TID NUMBER 60000204
  - 87520-1010XX, -1012XX, 3010XX, -3012XX, -5010XX, -6010XX AND -7010XXLF DURABILITY MET 5000 CYCLES THE OTHER DASH NUMBER MET USB 2.0 DURABILITY 1500 CYCLES.  
(TO BE CONTINUED)

mat'l. code NOTE 1 & 2				tolerances unless otherwise specified			CUSTOMER COPY	 www.fciconnect.com
ltr	ecn no	dr	date	linear	.X ±.25			
AA	N04-0103	PH	11/23/04		.XX		title	
AB	N05-0068	PH	03/09/05		.XXX		UNIV. SERIAL BUS RECEPTACLE	
AC	N05-0089	PH	03/24/05	angles	0° ±2°		product family	
AD	N05-0176	PH	06/20/05	dr	FUSSELMAN	3/1/96	USB	
				enr	J. DAVID	3/1/96	code	
				chr	J. DAVID	6/5/96	-	
				appd	J. DAVID	6/5/96	sheet	
sheet	revision	AD	AD	scale				1 of 2
index	sheet	1	2	4 : 1				A4

1 | 2

3

4

# PRODUCT NUMBER CODE

87520- X X X X X P LF

BASE PRODUCT NUMBER

HOUSING COLOR OPTIONS

- 0 - WHITE+SHELL TIN & NICKEL PLATING
- 1 - BLACK+SHELL TIN & NICKEL PLATING
- 2 - WHITE+SHELL NICKEL PLATING ONLY
- 3 - BLACK+SHELL NICKEL PLATING ONLY
- 4 - WHITE FR50 + SHELL TIN & NICKEL PLATING FOR NON LEAD FREE P/N'S  
CHANGE WHITE FR50 TO WHITE PA46 FOR LEAD FREE P/N'S
- 5 - BLACK NYLON 66 + SHELL TIN & NICKEL PLATING FOR NON LEAD FREE P/N'S  
CHANGE BLACK NYLON 66 TO BLACK PA46 FOR LEAD FREE P/N'S
- 6 - WHITE FR50+SHELL TIN & NICKEL PLATING FOR NON LEAD FREE P/N'S  
CHANGE WHITE FR50 TO WHITE PA46 FOR LEAD FREE P/N'S
- 7 - WHITE PA46+SHELL TIN & NICKEL PLATING

SHELL OPTION

- 0 - NO BACK SHIELD, SEE STYLE 1 FOR DURABILITY 1500 CYCLES  
SEE STYLE 4 FOR DURABILITY 5000 CYCLES
- 1 - BACK SHIELD, SEE STYLE 2
- 2 - PARTIAL BACK SHIELD, SEE STYLE 3

MOUNTING HOLE OPTIONS

1 - NONE

TERMINAL PLATING OPTION

- 0 - 1.25um Ni UNDERPLATE  
0.76um GXT CONTACT AREA  
2.50um TIN/LEAD TAIL AREA FOR P/N'S
- 2 - 1.25um Ni UNDERPLATE  
0.76um /30u" GOLD CONTACT AREA  
2.50um TIN/LEAD TAIL AREA FOR P/N'S

PACKAGING OPTIONS

- A - TAPE AND REEL
- B - TUBES

DATE CODE

LEAD FREE OPTION

P/N'S WITH SUFFIX "LF" MEAN LEAD FREE PRODUCT  
FOR LEAD FREE P/N, CHANGE ALL ORIGINAL TIN/LEAD PLATING TO PURE TIN PLATING

Available p/n's in FCI are followed

87520-0010XX/0010XXLF  
 87520-0012XX/0012XXLF  
 87520-0210XX/0210XXLF  
 87520-1010XX/1010XXLF  
 87520-1012XX/1012XXLF  
 87520-0110XX/0110XXLF  
 87520-0112XX/0112XXLF  
 87520-1110XX/1110XXLF  
 87520-1112XX/1112XXLF  
 87520-2010XX/2010XXLF  
 87520-2012XX/2012XXLF  
 87520-2110XX/2110XXLF  
 87520-2112XX/2112XXLF  
 87520-2210XX/2210XXLF  
 87520-3010XX/3010XXLF  
 87520-3012XX/3012XXLF  
 87520-3110XX/3110XXLF  
 87520-3112XX/3112XXLF  
 87520-4010XX/4010XXLF  
 87520-4110XX/4110XXLF  
 87520-5010XX/5010XXLF  
 87520-5110XX/5110XXLF  
 87520-6010XX/6010XXLF  
 87520-7010XXLF

STYLE 1 WITHOUT BACK SHELL

STYLE 2 WITH BACK SHELL

STYLE 3 WITH PARTIAL BACK SHELL

STYLE 4 WITHOUT BACK SHELL

FOR 87520-1010XX/1010XXLF  
 -1012XX/1012XXLF  
 -3010XX/3010XXLF  
 -3012XX/3012XXLF  
 -5012XX/5012XXLF  
 -6010XX/6010XXLF  
 -7010XXLF

(CONTINUED)

10. PACKING STANDARD GS-14-920 WILL BE APPLIED FOR LEAD FREE P/N'S

11. FOR LEAD FREE P/N, THE PRODUCT MEET EUROPEAN UNION DIRECTIVES AND OTHER COUNTRY REGULATION AS DESCRIBED IN GS-22-008

12. THE HOUSING WILL WITHSTAND EXPOSURE TO 260°C PEAK TEMPERATURE FOR 40 SECONDS IN A CONVECTION, INFRO-RED OR VAPOR PHASE REFLOW OVEN.

mat'l. code		NOTE 1 & 2		tolerances unless otherwise specified		CUSTOMER COPY		FCI		www.fciconnect.com				
ltr	ecn no	dr	date	linear	.X ±.25		projection	title		UNIV. SERIAL BUS RECEPTACLE				
AD					.XX			mm	product family		USB			
					.XXX				size		dwg no		code	
				angles	0° ±2°		4 : 1	A4		87520		sheet 2 of		
				dr	FUSSELMAN	3/1/96		scale		A4		87520		sheet 2 of
				enr	J. DAVID	3/1/96	A4		87520		87520		sheet 2 of	
				chr	J. DAVID	6/5/96	A4		87520		87520		sheet 2 of	
				appd	J. DAVID	6/5/96	A4		87520		87520		sheet 2 of	
sheet index	revision sheet													

PDM: Rev:AD

STATUS: Released Printed: Jun 24, 2005

form no. 7530-001-103

1 | 2

3

4

Tous droits strictement reserves. Reproduction ou communication a des tiers interdite sous quelque forme que ce soit sans autorisation ecrite du proprietaire. Propriete de ©BERG ELECTRONICS. Droits de reproduction BERG ELECTRONICS INC.

All rights strictly reserved. Reproduction or issue to third parties in any form whatever is not permitted without written authority from the proprietor. Property of ©BERG ELECTRONICS Copyright BERG ELECTRONICS INC.