



Have a Question?
Chat with a Product Information Specialist

What can we help you find?

[Products](#) [Industries](#) [Resources](#) [About TE](#) [My Account](#) [Innovation](#) [Support Center](#)

87224-8 Product Details

[Share](#) [Print](#) [Email](#)



87224-8

TE Internal Number: 87224-8

Active

[View 3D PDF](#)

.100 inch AMPMODU Headers

Always EU RoHS/ELV Compliant (Statement of Compliance)

Product Highlights:

- Connector
- Header Type = Standard
- 8 Positions
- Mating Post Length = 8.08 mm
- Row-to-Row Spacing = 2.54 mm

[View all Features](#)

Quick Links

- ▶ [Pricing & Availability](#)
- ▶ [Search for Tooling](#)
- ▶ [Product Feature Selector](#)
- ▶ [Contact Us About This Product](#)

[Add to My Part List](#) [Request Sample](#) [Find Similar Products](#) [Buy Product](#)

Documentation & Additional Information

Product Drawings:

- [HEADER ASSY MOD II, .025 SQ POST, SINGLE ROW, 100 C...](#) (PDF, English)

Catalog Pages/Data Sheets:

- [AMPMODU_INTERCONNECTION_SYSTEM_SECTION5](#) (PDF, English)

Product Specifications:

- None Available

Application Specifications:

- None Available

Instruction Sheets:

- None Available

CAD Files: ([CAD Format & Compression Information](#))

- [2D Drawing](#) (DXF, Version L)
- [3D Model](#) (IGES, Version L)
- [3D Model](#) (STEP, Version L)

[List all Documents](#)

Additional Information:

- [Product Line Information](#)

Related Products:

- [Tooling](#)

Product Features (Please use the Product Drawing for all design activity)

Product Type Features:

- Product Type = Connector
- Mount Angle = Vertical
- PCB Mount Retention = Without
- Surface Mount Compatible = No
- Board Standoff = Without
- Mating Connector Lock = Without
- Post Size (mm [in]) = 0.64 [0.025]

Mechanical Attachment:

- Mounting Ears = Without
- Panel Mount Retention = Without

Termination Features:

- Termination Post Length (mm [in]) = 3.18 [0.125]
- Solder Tail Contact Plating = Gold Flash over Nickel

Dimensions:

- Mating Post Length (mm [in]) = 8.08 [0.318]

Body Features:

- Header Type = Standard
- Row-to-Row Spacing (mm [in]) = 2.54 [0.100]
- Selectively Loaded = No
- Mount Type = Printed Circuit Board

Contact Features:

- Contact Plating, Mating Area, Material = Gold (15)
- Contact Shape = Square
- Contact Base Material = Copper Alloy

Housing Features:

- Housing Material = Thermoplastic - GF
- UL Flammability Rating = UL 94V-0

Configuration Features:

- Number of Positions = 8
- Number of Rows = 1

Industry Standards:

- RoHS/ELV Compliance = RoHS compliant, ELV compliant
- Lead Free Solder Processes = Wave solder capable to 240°C
- RoHS/ELV Compliance History = Always was RoHS compliant

Conditions for Usage:

- High Temperature Housing = No

Operation/Application:

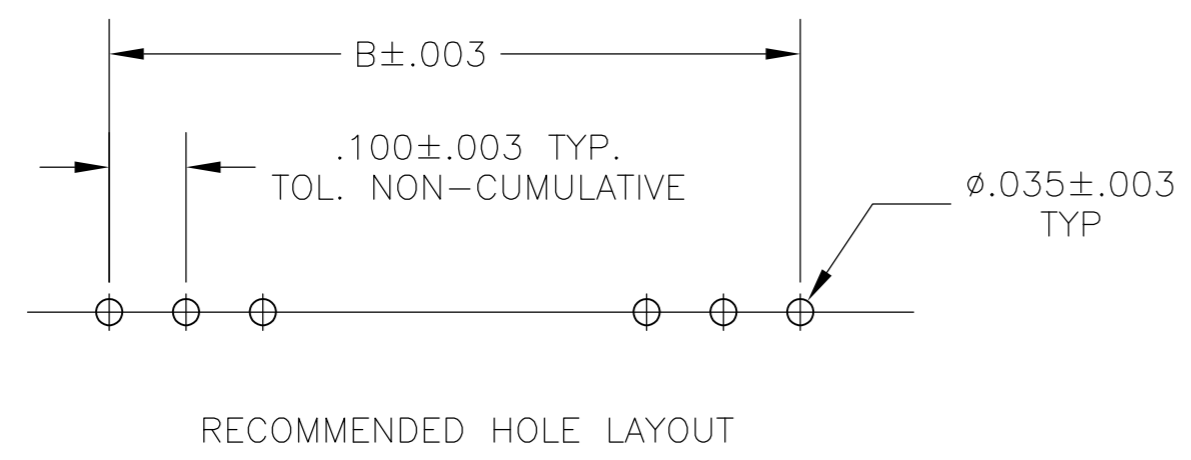
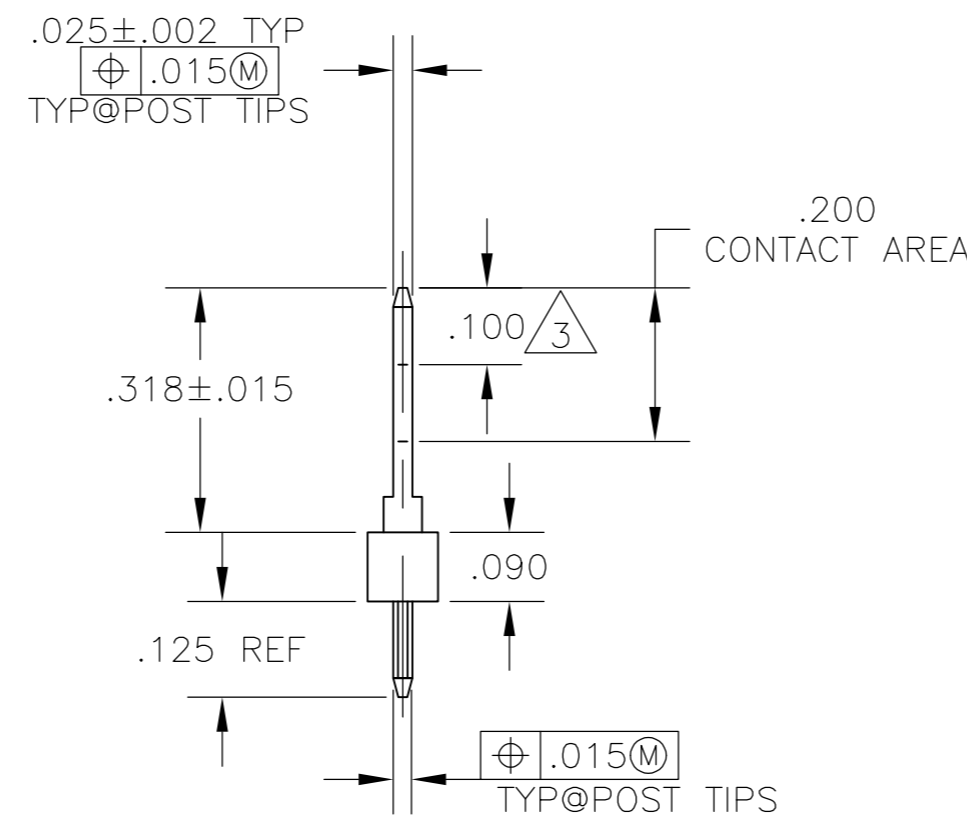
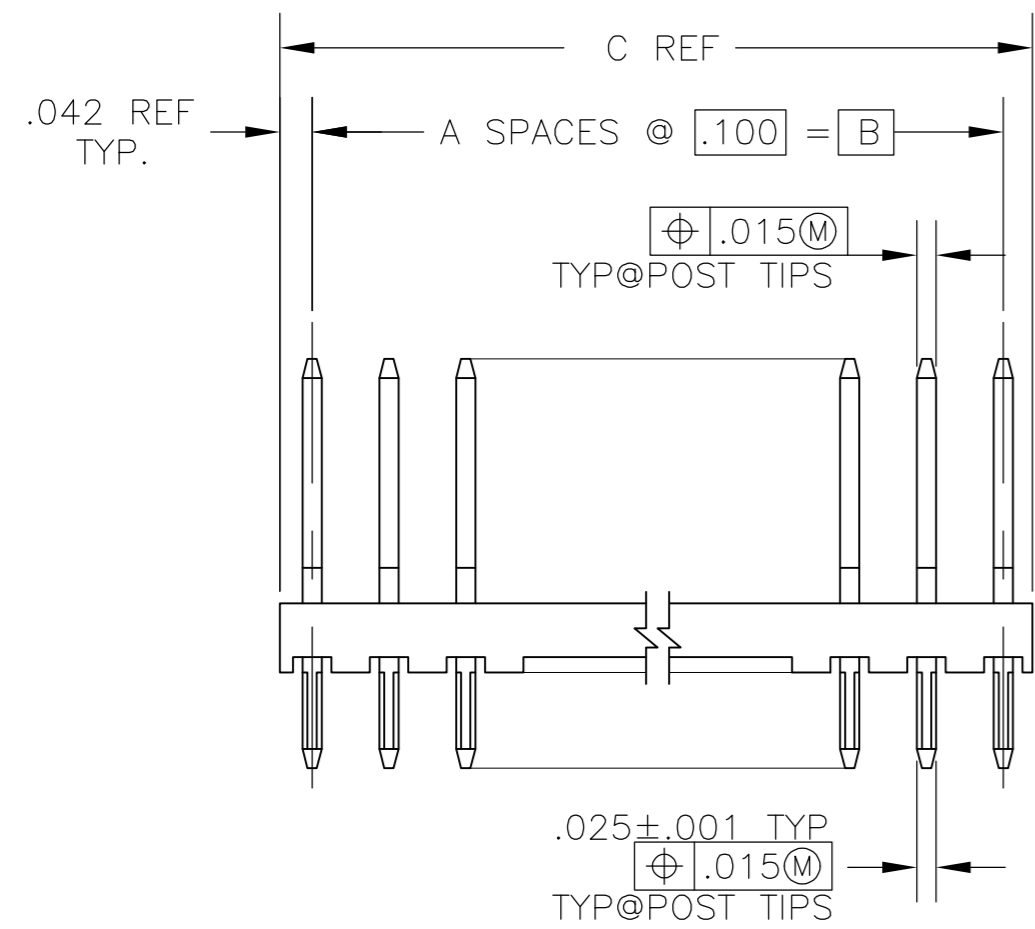
- High Speed Serial Data Connector = No

Other:

- Brand = AMP

THIS DRAWING IS UNPUBLISHED. RELEASED FOR PUBLICATION
 © COPYRIGHT - By - ALL RIGHTS RESERVED.

| LOC | | DIST | | REVISIONS | | | | | |
|-----|--|------|--|-----------|-----|---------------------------|---------|-----|------|
| AD | | 39 | | P | LTR | DESCRIPTION | DATE | DWN | APVD |
| | | | | L2 | | REVISED PER ECO-11-004587 | 11MAR11 | RK | HMR |



- 1 TRUE POSITION TOLERANCE OF POST TIPS APPLIES WHEN HEADERS ARE HELD FLAT AGAINST PC BOARD.
- 2 .000015 GOLD IN CONTACT AREA, GOLD FLASH ON SOLDER AREA, ALL OVER .000050 NICKEL.
- 3 POINT OF MEASUREMENT FOR PLATING THICKNESS.
- 4 PARTS PACKAGED IN SINGLE TUBES.
- 5 HOUSING: FLAME RETARDANT THERMOPLASTIC, COLOR-BLACK POST: PHOS.BRONZE.
- 6 OBSOLETE PARTS: OBSOLETE CIS STREAMLINING PER D.RENAUD/D.SINISI

| | | | | | | | |
|---|----------|----------|-------|-------|-----------|---------|-----------|
| 6 | 4 | OBSOLETE | .284 | .200 | 2 | 3 | 4-87224-3 |
| | | | 3.984 | 3.900 | 39 | 40 | 4-87224-0 |
| 6 | OBSOLETE | | 3.884 | 3.800 | 38 | 39 | 3-87224-9 |
| | | | 3.784 | 3.700 | 37 | 38 | 3-87224-8 |
| | | | 3.684 | 3.600 | 36 | 37 | 3-87224-7 |
| | | | 3.584 | 3.500 | 35 | 36 | 3-87224-6 |
| | | | 3.484 | 3.400 | 34 | 35 | 3-87224-5 |
| | | | 3.384 | 3.300 | 33 | 34 | 3-87224-4 |
| | | | 3.284 | 3.200 | 32 | 33 | 3-87224-3 |
| | | | 3.184 | 3.100 | 31 | 32 | 3-87224-2 |
| | | | 3.084 | 3.000 | 30 | 31 | 3-87224-1 |
| | | | 2.984 | 2.900 | 29 | 30 | 3-87224-0 |
| | | | 2.884 | 2.800 | 28 | 29 | 2-87224-9 |
| | | | 2.784 | 2.700 | 27 | 28 | 2-87224-8 |
| | | | 2.684 | 2.600 | 26 | 27 | 2-87224-7 |
| | | | 2.584 | 2.500 | 25 | 26 | 2-87224-6 |
| | | | 2.484 | 2.400 | 24 | 25 | 2-87224-5 |
| | | | 2.384 | 2.300 | 23 | 24 | 2-87224-4 |
| | | | 2.284 | 2.200 | 22 | 23 | 2-87224-3 |
| | | | 2.184 | 2.100 | 21 | 22 | 2-87224-2 |
| | 2.084 | 2.000 | 20 | 21 | 2-87224-1 | | |
| | 1.984 | 1.900 | 19 | 20 | 2-87224-0 | | |
| 6 | OBSOLETE | | 1.884 | 1.800 | 18 | 19 | 1-87224-9 |
| | | | 1.784 | 1.700 | 17 | 18 | 1-87224-8 |
| | | | 1.684 | 1.600 | 16 | 17 | 1-87224-7 |
| | | | 1.584 | 1.500 | 15 | 16 | 1-87224-6 |
| 6 | OBSOLETE | | 1.484 | 1.400 | 14 | 15 | 1-87224-5 |
| | | | 1.384 | 1.300 | 13 | 14 | 1-87224-4 |
| | | | 1.284 | 1.200 | 12 | 13 | 1-87224-3 |
| | | | 1.184 | 1.100 | 11 | 12 | 1-87224-2 |
| | 1.084 | 1.000 | 10 | 11 | 1-87224-1 | | |
| | .984 | .900 | 9 | 10 | 1-87224-0 | | |
| | .884 | .800 | 8 | 9 | 87224-9 | | |
| | .784 | .700 | 7 | 8 | 87224-8 | | |
| | .684 | .600 | 6 | 7 | 87224-7 | | |
| | .584 | .500 | 5 | 6 | 87224-6 | | |
| | .484 | .400 | 4 | 5 | 87224-5 | | |
| | .384 | .300 | 3 | 4 | 87224-4 | | |
| | .284 | .200 | 2 | 3 | 87224-3 | | |
| | .184 | .100 | 1 | 2 | 87224-2 | | |
| | .084 | - | - | 1 | 87224-1 | | |
| | | C | B | A | NO OF POS | PART NO | |

THIS DRAWING IS A CONTROLLED DOCUMENT.

| | | | |
|--------------------|--|------------------------------|---|
| DIMENSIONS: INCHES | TOLERANCES UNLESS OTHERWISE SPECIFIED: | DWN RAGHAVENDRA 24FEB09 | TE Connectivity |
| | 0 PLC ± - | CHK GESFORD JEFFREY 24FEB09 | NAME |
| | 1 PLC ± - | APVD GESFORD JEFFREY 24FEB09 | PRODUCT SPEC |
| | 2 PLC ± - | | APPLICATION SPEC |
| | 3 PLC ± .005 | | WEIGHT |
| | 4 PLC ± - | | SIZE CAGE CODE DRAWING NO RESTRICTED TO |
| | ANGLES ± - | | A2 00779 C=87224 |
| MATERIAL 5 | FINISH 2 | | SCALE 4:1 SHEET 1 of 1 REV L2 |

CUSTOMER DRAWING