

Distributed by:

**JAMECO**<sup>®</sup>  
ELECTRONICS

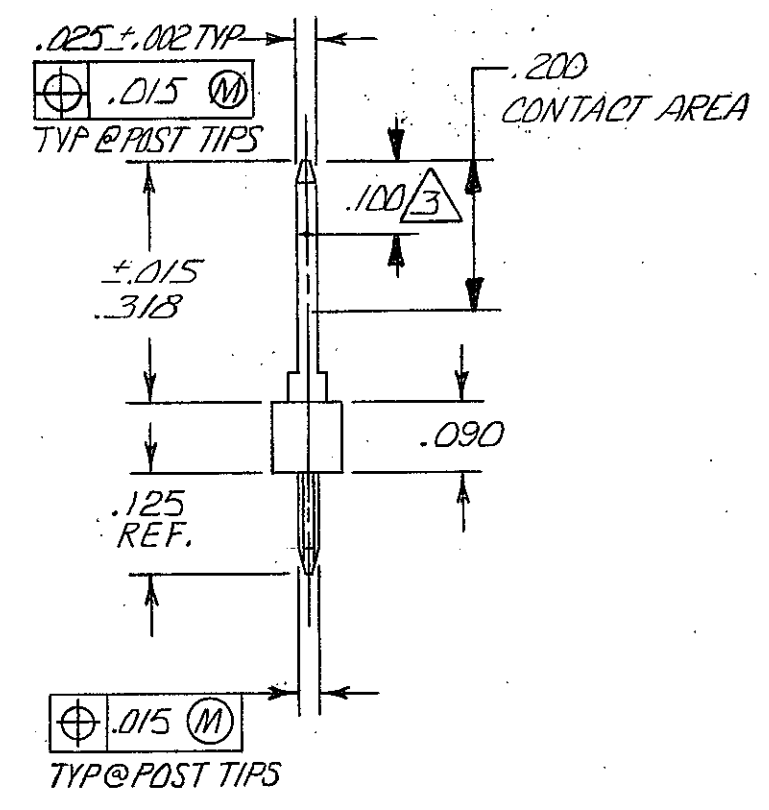
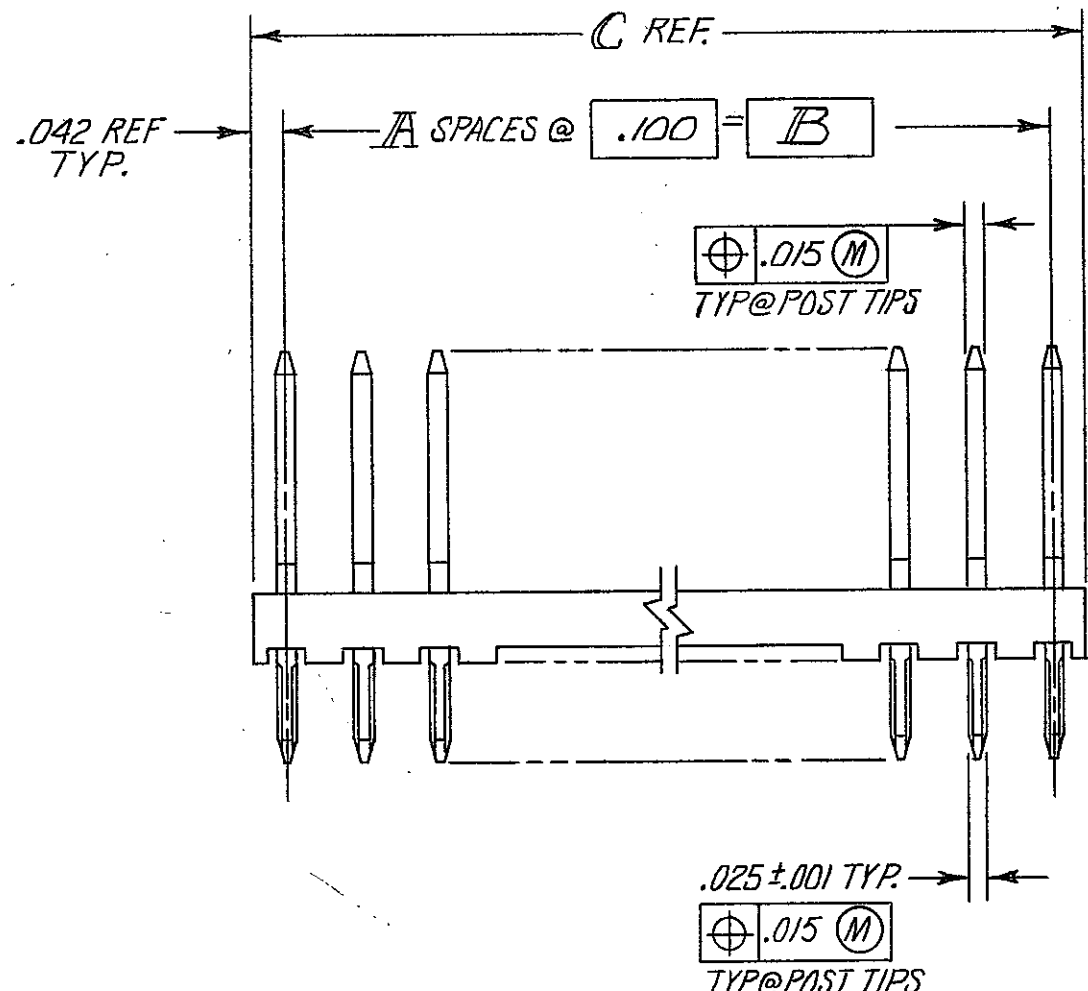
**www.Jameco.com ♦ 1-800-831-4242**

The content and copyrights of the attached  
material are the property of its owner.

Jameco Part Number 1934518

© COPYRIGHT 1981, 83 BY AMP INCORPORATED, HARRISBURG, PA. ALL INTERNATIONAL RIGHTS RESERVED. AMP INCORPORATED PRODUCTS COVERED BY U. S. AND FOREIGN PATENTS AND/OR PATENTS PENDING.

| REVISIONS |   |      |     |                               |               |
|-----------|---|------|-----|-------------------------------|---------------|
| P         | F | ZONE | LTR | DESCRIPTION                   | DATE APPROVED |
|           |   |      | G   | REDRAWN WITHOUT CHANGE PERECN |               |
| ✓         |   |      | C   | REV ECN 4837                  | 10-28-83 S.O. |
| ✓         |   |      | D   | REV LOC & DIST AD-4171        | 11-28-89 BF   |
| ✓         |   |      | E   | REV ECN AD-4845               | 10-31-90 RF   |
| ✓         |   |      | F   | REV PER AD-5153               | 10-13-91 RF   |
| ✓         |   |      | G   | REV PER AD-6034               | 12-20-91 RF   |
| ✓         |   |      | H   | REV PER 0010-1355-93          | 1-25-94 RF    |
| ✓         |   |      | J   | REV PER 0010-1284-94          | 8-26-94 RF    |
| ✓         |   |      | K   | REV PER 0310-0361-97          | 12-1-97 SAS   |



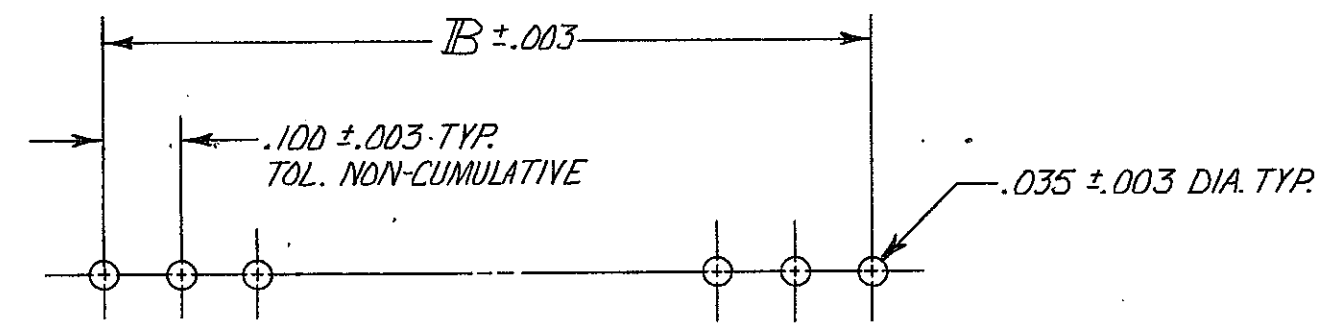
| 4 | .284  | .200  | 2                | 3       | 4-87224-3 |
|---|-------|-------|------------------|---------|-----------|
|   | 3.984 | 3.900 | 39               | 40      | 4-87224-0 |
|   | 3.884 | 3.800 | 38               | 39      | 3- -9     |
|   | 3.784 | 3.700 | 37               | 38      | 3- -8     |
|   | 3.684 | 3.600 | 36               | 37      | 3- -7     |
|   | 3.584 | 3.500 | 35               | 36      | 3- -6     |
|   | 3.484 | 3.400 | 34               | 35      | 3- -5     |
|   | 3.384 | 3.300 | 33               | 34      | 3- -4     |
|   | 3.284 | 3.200 | 32               | 33      | 3- -3     |
|   | 3.184 | 3.100 | 31               | 32      | 3- -2     |
|   | 3.084 | 3.000 | 30               | 31      | 3- -1     |
|   | 2.984 | 2.900 | 29               | 30      | 3- -0     |
|   | 2.884 | 2.800 | 28               | 29      | 2- -9     |
|   | 2.784 | 2.700 | 27               | 28      | 2- -8     |
|   | 2.684 | 2.600 | 26               | 27      | 2- -7     |
|   | 2.584 | 2.500 | 25               | 26      | 2- -6     |
|   | 2.484 | 2.400 | 24               | 25      | 2- -5     |
|   | 2.384 | 2.300 | 23               | 24      | 2- -4     |
|   | 2.284 | 2.200 | 22               | 23      | 2- -3     |
|   | 2.184 | 2.100 | 21               | 22      | 2- -2     |
|   | 2.084 | 2.000 | 20               | 21      | 2- -1     |
|   | 1.984 | 1.900 | 19               | 20      | 2-87224-0 |
|   | 1.884 | 1.800 | 18               | 19      | 1- -9     |
|   | 1.784 | 1.700 | 17               | 18      | 1- -8     |
|   | 1.684 | 1.600 | 16               | 17      | 1- -7     |
|   | 1.584 | 1.500 | 15               | 16      | 1- -6     |
|   | 1.484 | 1.400 | 14               | 15      | 1- -5     |
|   | 1.384 | 1.300 | 13               | 14      | 1- -4     |
|   | 1.284 | 1.200 | 12               | 13      | 1- -3     |
|   | 1.184 | 1.100 | 11               | 12      | 1- -2     |
|   | 1.084 | 1.000 | 10               | 11      | 1- -1     |
|   | .984  | .900  | 9                | 10      | 1- -0     |
|   | .884  | .800  | 8                | 9       | -9        |
|   | .784  | .700  | 7                | 8       | -8        |
|   | .684  | .600  | 6                | 7       | -7        |
|   | .584  | .500  | 5                | 6       | -6        |
|   | .484  | .400  | 4                | 5       | -5        |
|   | .384  | .300  | 3                | 4       | -4        |
|   | .284  | .200  | 2                | 3       | -3        |
|   | .184  | .100  | 1                | 2       | -2        |
|   | .084  | —     | —                | 1       | 87224-1   |
| C | B     | A     | NO. OF POSITIONS | PART NO |           |

1. TRUE POSITION TOLERANCE OF POST TIPS APPLIES WHEN HEADERS ARE HELD FLAT AGAINST PC BOARD.

2. .000015 GOLD IN CONTACT AREA, GOLD FLASH ON SOLDER AREA, ALL OVER .000050 NICKEL.

3. POINT OF MEASUREMENT FOR PLATING THICKNESS.

4. PARTS PACKAGED IN SINGLE TUBES.



RECOMMENDED HOLE LAYOUT

|                                                                                                      |                                    |                                                                              |                        |
|------------------------------------------------------------------------------------------------------|------------------------------------|------------------------------------------------------------------------------|------------------------|
| UNLESS OTHERWISE SPECIFIED DIMENSIONS ARE IN INCHES.<br>TOLERANCES ON:<br>DECIMALS ±.005<br>ANGLES ± | CONTRACT NO                        | AMP INCORPORATED<br>Harrisburg, Pa.                                          |                        |
|                                                                                                      | DR<br><i>D. Brubler</i> 10-05-81   | NAME<br>HEADER ASS'Y, MOD II, .025 SQ. POST,<br>SINGLE ROW, 100 &, STACKABLE |                        |
| MATERIAL<br>HSG: FLAME RETARDANT<br>THERMOPLASTIC, COLOR-BLACK<br>POSTS: PHOS. BRONZE                | CHK<br><i>[Signature]</i> 10-12-81 | APPD<br><i>[Signature]</i> 10-17-81                                          |                        |
| FINISH<br>POSTS:                                                                                     | DSGN APPD<br><i>[Signature]</i>    | SIZE<br>C                                                                    | CODE IDENT NO<br>00779 |
|                                                                                                      | OTHER APPD                         | DRAWING NO<br>87224                                                          | SHEET 1 OF 1           |