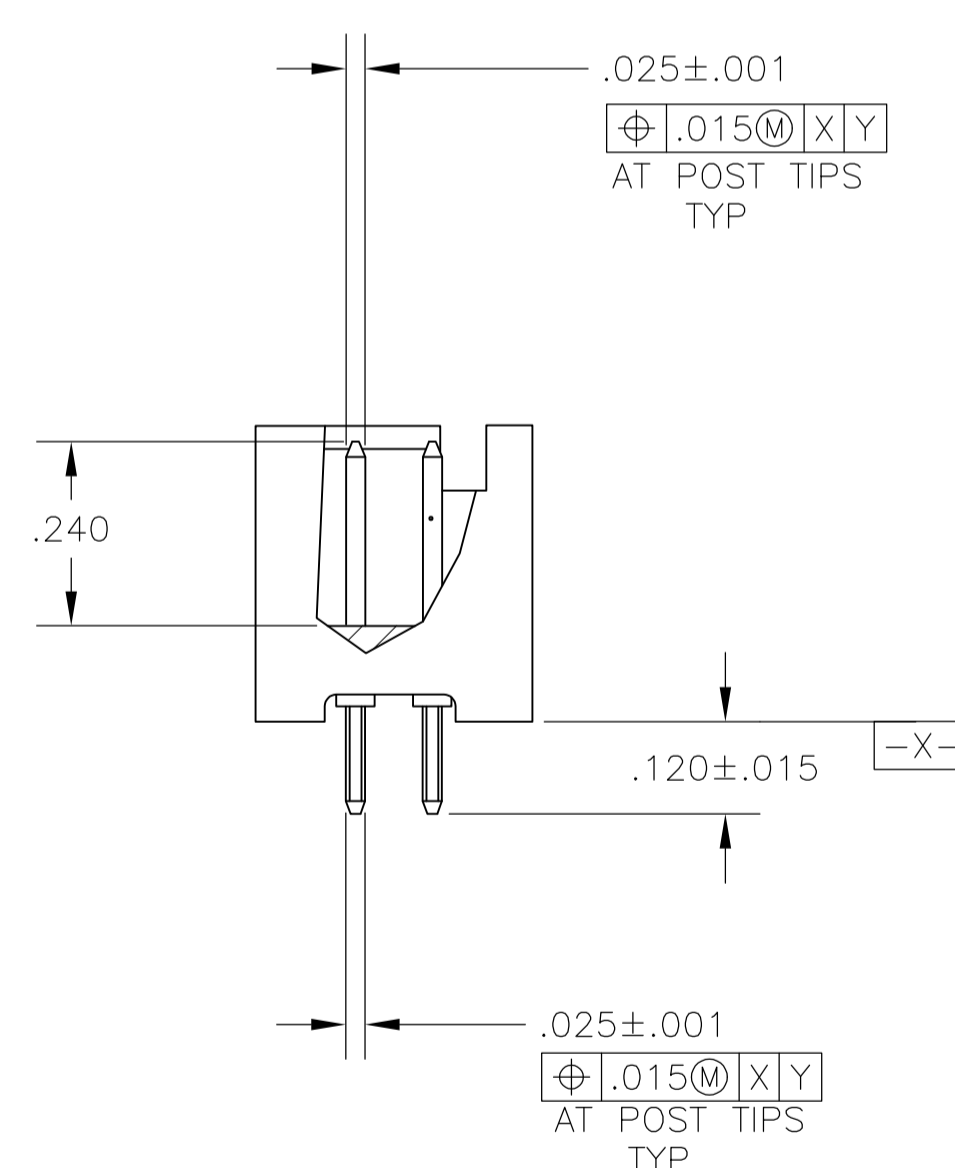
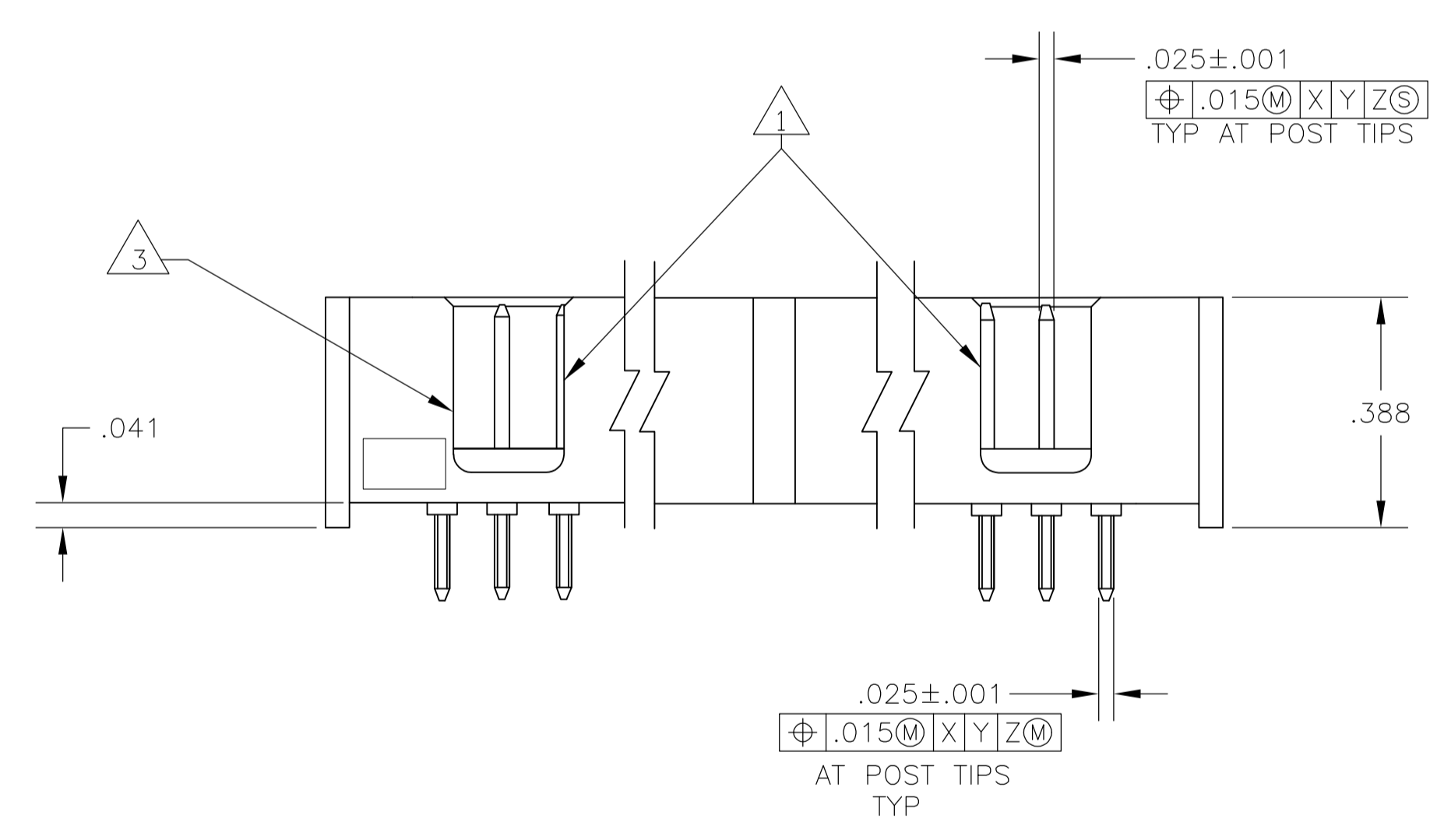
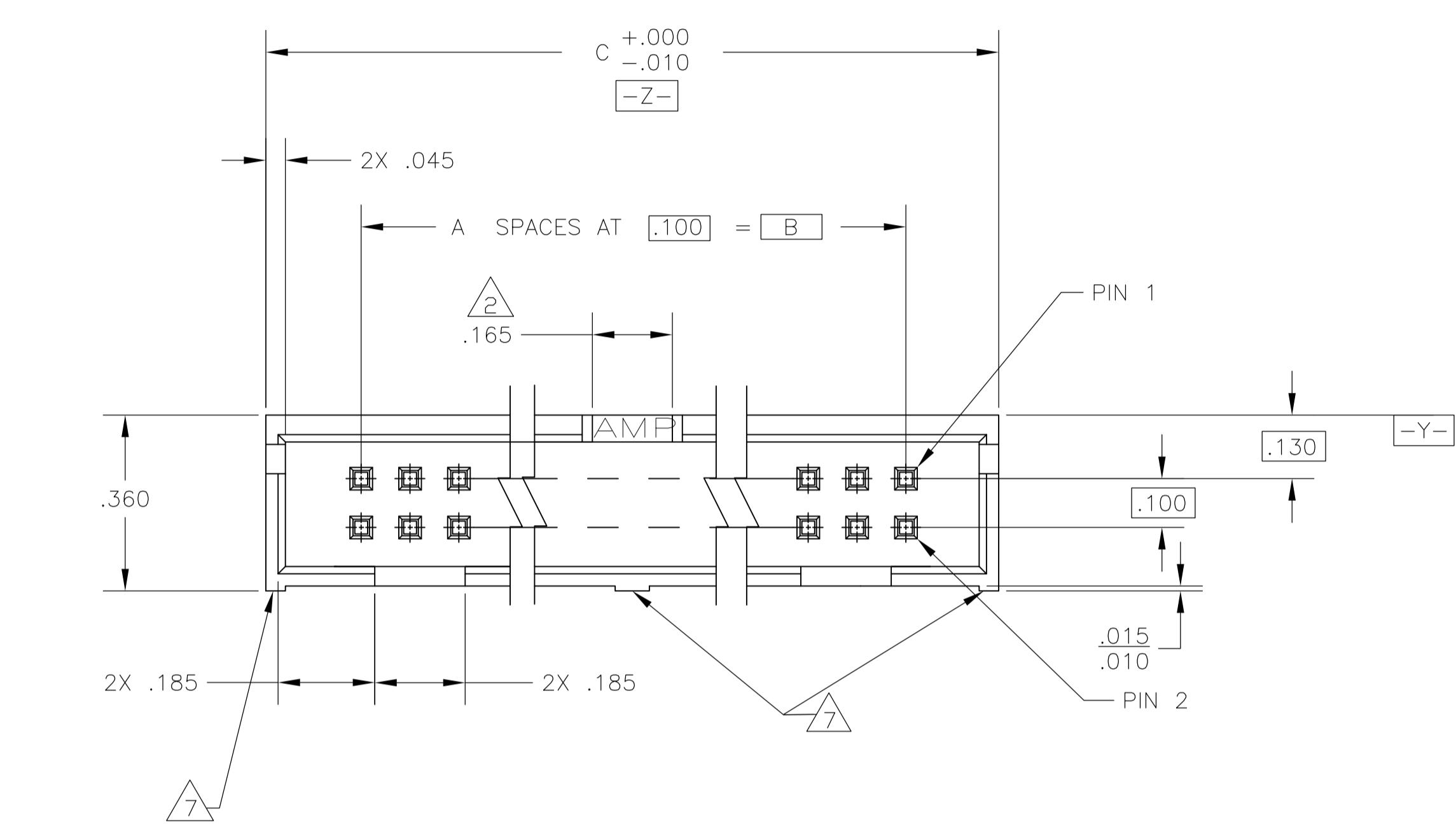
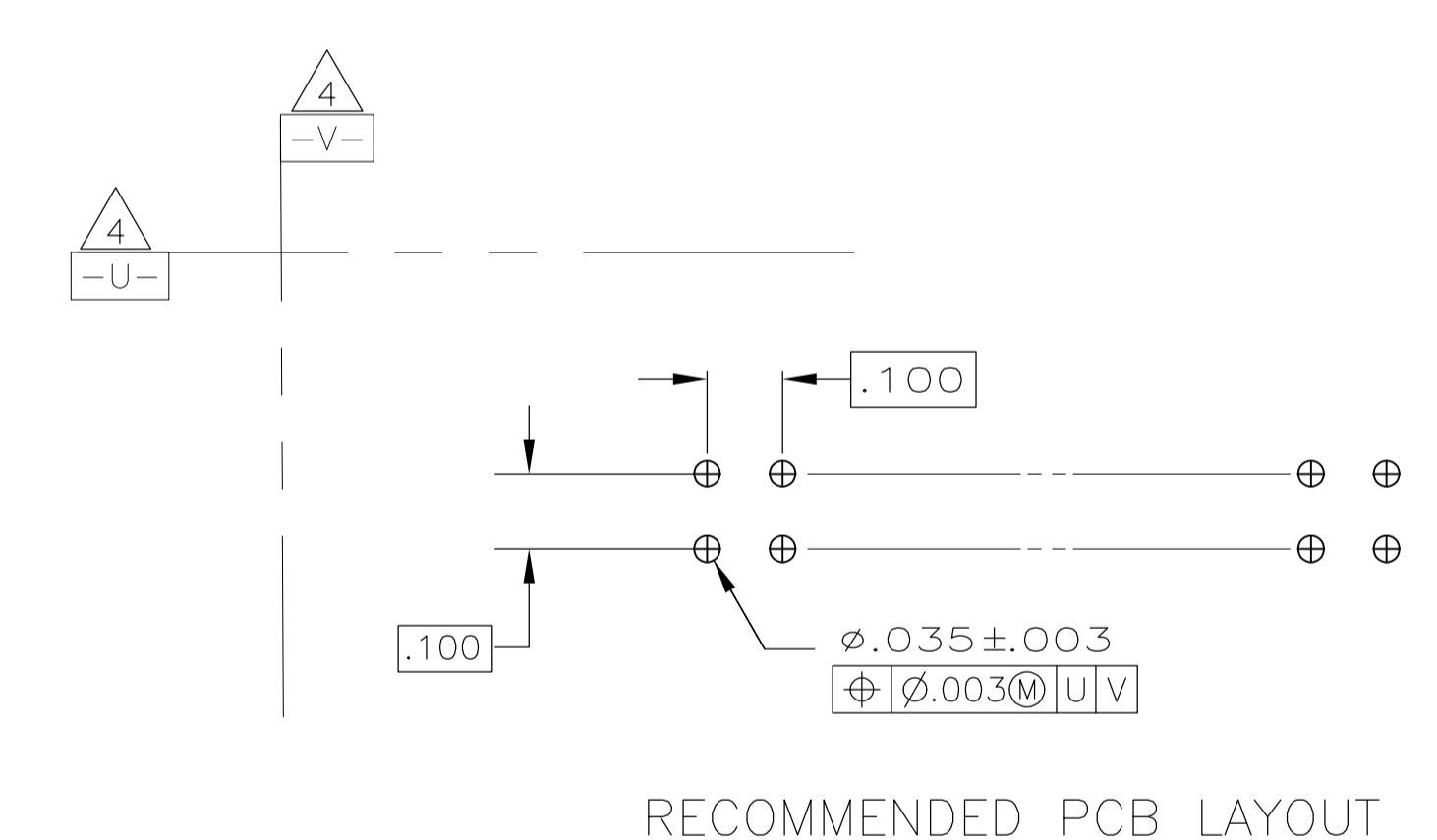


LOC		DIST		REVISIONS				
GP	00	REV	DATE	BY	CHK	APP		
C		REVISED PER ECO-08-005380	11JUN2008	ZMR	SLB			



- 1 DOUBLE BAR POLARIZATION SLOTS.
- 2 CENTER POLARIZATION SLOT.
- 3 FOR 10 POSN ASSEMBLY, SLOT OMITTED IN THIS LOCATION.
- 4 DATUMS U AND V TO BE ESTABLISHED BY THE CUSTOMER.
- 5 HOUSING: GLASS FILLED NYLON, UL 94V-0, COLOR: BLACK. POSTS: BRASS.
- 6 POSTS: GOLD FLASH OVER .000015 MIN PALLADIUM-NICKEL PLATE ON THE MATING SURFACES, .000100 MIN TIN PLATE ON THE SOLDER-TAILS, .000050 MIN NICKEL UNDERPLATE ON THE ENTIRE POST.  
-OR-  
.000015 MIN GOLD PLATE ON THE MATING SURFACES, .000100 MIN TIN PLATE ON THE SOLDER-TAILS, .000050 MIN NICKEL UNDERPLATE ON THE ENTIRE POST.
- 7 RIBS:  
ALL POSITION SIZES-2 LOCATED AT ENDS OF HOUSING.  
20 THRU 34 POSITION SIZES-1 ADDITIONAL RIB CENTERED ON HOUSING.  
40 THRU 60 POSITION SIZES- 2 ADDITIONAL RIBS EVENLY SPACED WITHIN REMAINING LENGTH OF HOUSING.



1.500	1.100	11	24	1-5103308-3
3.300	2.900	29	60	1-5103308-2
2.800	2.400	24	50	1-5103308-0
2.300	1.900	19	40	5103308-8
2.000	1.600	16	34	5103308-7
1.600	1.200	12	26	5103308-6
1.300	.900	9	20	5103308-5
1.100	.700	7	16	5103308-3
1.000	.600	6	14	5103308-2
.800	.400	4	10	5103308-1
C	B	A	NO OF POSN	PART NUMBER

THIS DRAWING IS A CONTROLLED DOCUMENT.

DIMENSIONS: INCHES	TOLERANCES UNLESS OTHERWISE SPECIFIED:	0. PLC ± -	1. PLC ± -	2. PLC ± -	3. PLC ± .005	4. PLC ± -	ANGLES ± -
--------------------	--	------------	------------	------------	---------------	------------	------------

MATERIAL	FINISH	WEIGHT	SIZE	CAGE CODE	DRAWING NO	RESTRICTED TO
5	6	-	A1	00779	5103308	-

CUSTOMER DRAWING SCALE 4:1 SHEET 1 OF 1 REV C

THIS DRAWING IS A CONTROLLED DOCUMENT. DIB B. LATTUCA 01 NOV 05  
 CHK S. BOLASH 01 NOV 05  
 APP'D M. WALMSLEY 01 NOV 05  
 NAME M. WALMSLEY  
 PRODUCT SPEC 108-40018  
 APPLICATION SPEC  
 Tyco Electronics Corporation Harrisburg, PA 17105-3608  
 HEADER ASSY, VERTICAL, LOW PROFILE, AMP-LATCH  
 Tyco Electronics