



### Features

- Single pole/double throw
- Compatible with most surface mount soldering processes
- 50 or 2000 cycle rotational life
- Compatible with popular vacuum pick-and-place equipment
- J-hook, gull-wing and through hole
- Meets EIA/EIAJ/IPC/VRCI SMD standard outline dimensions
- RoHS compliant\* - see [processing information on lead free surface mount components](#)

## 7814 SMD 4 mm Square Sealed Rotary Switch

### Electrical Characteristics

Contact Rating  
 Maximum Current .....100 mA max.  
 Maximum Voltage .....16 V  
 Contact Timing.....Non-shorting  
 Contact Resistance.....2 ohms max.  
 Insulation Resistance  
 .....100 megohms min.  
 Dielectric Strength .....250 VAC

### General Characteristics

Switch Type .....SPDT  
 Operating Temperature Range  
 .....-55 °C to +125 °C  
 Storage Temperature Range  
 .....-55 °C to +125 °C  
 Seal Test .....85 °C Fluorinert†

### Mechanical Characteristics

Positions .....2  
 Adjustment Torque.....1.8 N-cm max.  
 Stop Strength.....2.5 N-cm min.  
 Pushover Strength (Z Style)  
 .....2 kilograms minimum  
 Weight.....Approximately 0.2 gm.  
 Marking .....Manufacturer's trademark, life code and date code

### Environmental Characteristics

Vibration .....20 G  
 Shock .....100 G  
 Thermal Shock.....(5 cycles)  
 .....-55 °C to +125 °C  
 Humidity  
 Insulation Resistance  
 .....10 megohms min.  
 Rotational Life  
 -051 .....50 Cycles  
 -023 .....2000 Cycles  
 Packaging Options  
 J & G.....500 pcs.  
 Z .....200 pcs.  
 H .....100 pcs./tube

### How to Order

**7814 J - 1 - 051 E**

Model \_\_\_\_\_

Terminal \_\_\_\_\_

J = J-Hook  
 G = Gull Wing  
 H = Through-hole  
 Z = Right Angle

Switch Type \_\_\_\_\_

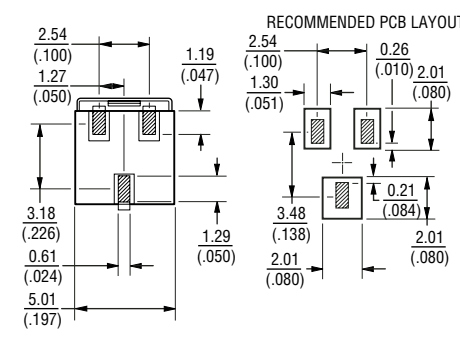
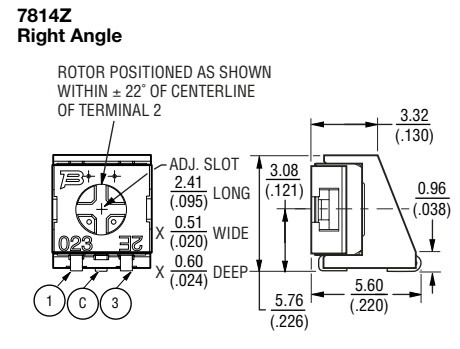
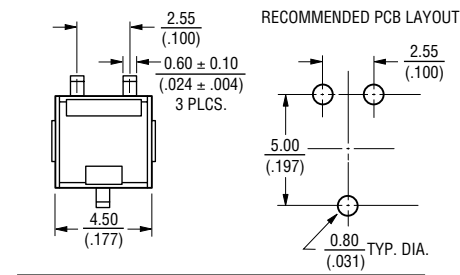
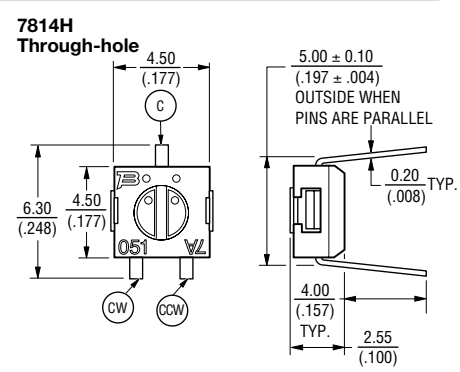
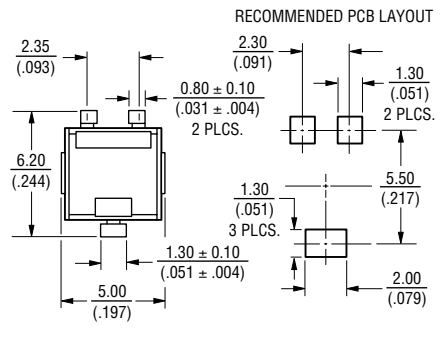
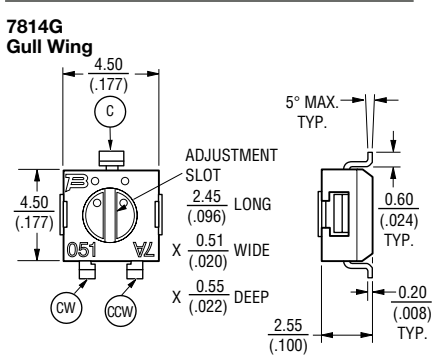
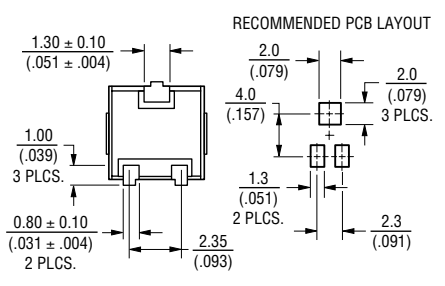
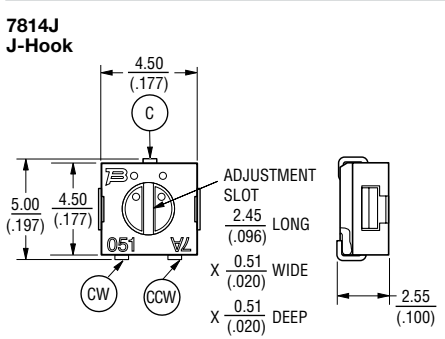
1 = SPDT

Rotational Life \_\_\_\_\_

-051 = 50 Cycles  
 -023 = 2000 Cycles

Optional Embossed Tape Designator \_\_\_\_\_  
 (For pin styles J, G, Z only - omit for tube packaging)

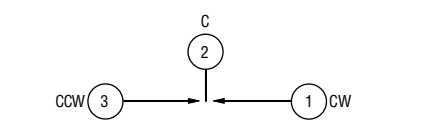
### Product Dimensions



DIMENSIONS ARE: MM (INCHES)

TOLERANCES: ±.2 EXCEPT WHERE NOTED.

\*RoHS Directive 2002/95/EC Jan 27 2003 including Annex.  
 †"Fluorinert" is a registered trademark of 3M Co.  
 Specifications are subject to change without notice.  
 Customers should verify actual device performance in their specific applications.

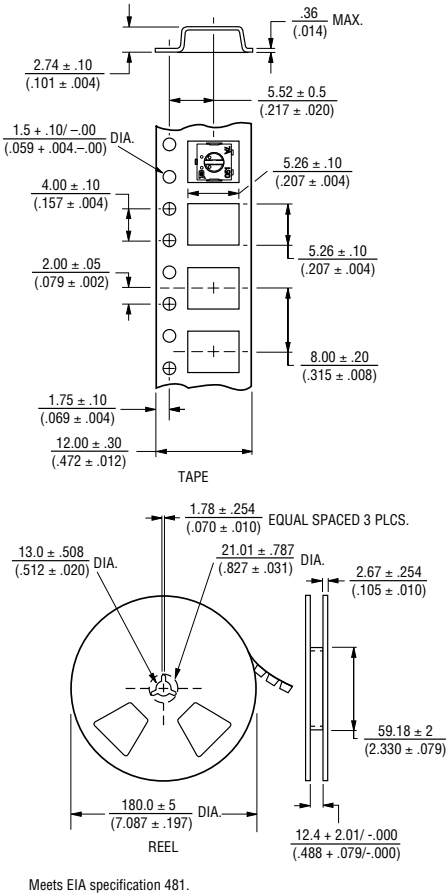


# 7814 SMD 4 mm Square Sealed Rotary Switch

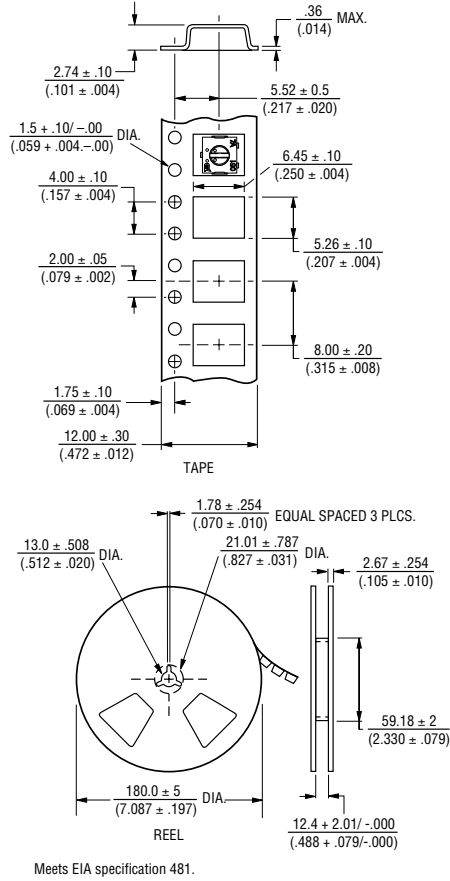
**BOURNS®**

## Packaging Specifications

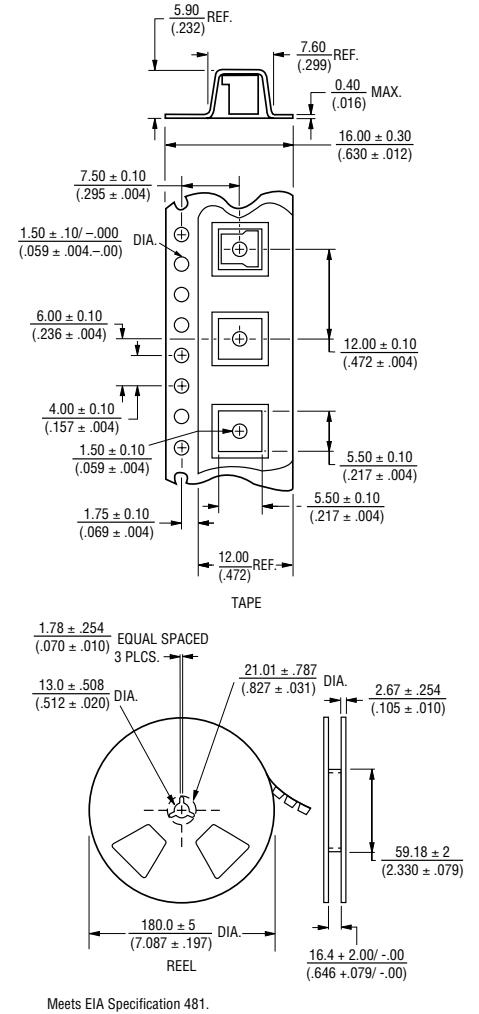
**(J Style)**



**(G Style)**



**(Z Style)**



**(H Style)**

