

PRODUCT NUMBER
77313-YXX-XXLF

PLATING SEE SHEET 2
PIN STYLE SEE SHEET 2

WHEN REQUIRED, ADD SUFFIX LETTER "LF"
INDICATES THE PRODUCT IS RoHS
COMPATIBLE, SEE NOTE 6
TOTAL NB OF POSITIONS 04 TO 72
RETENTION OPTION "R" SEE SHEET 2
OPTION "T" FOR STD TUBE PACK
OPTION "TV" FOR SHORT TUBE PACK

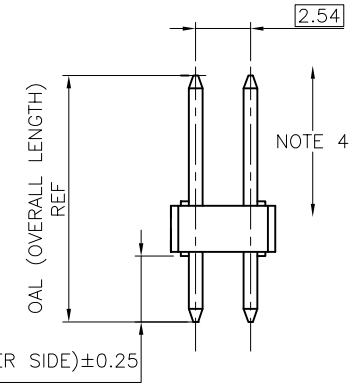
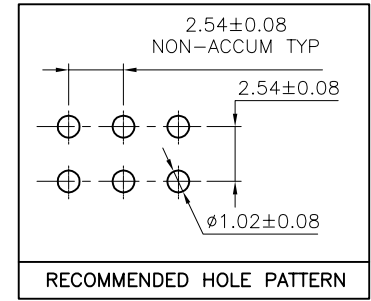
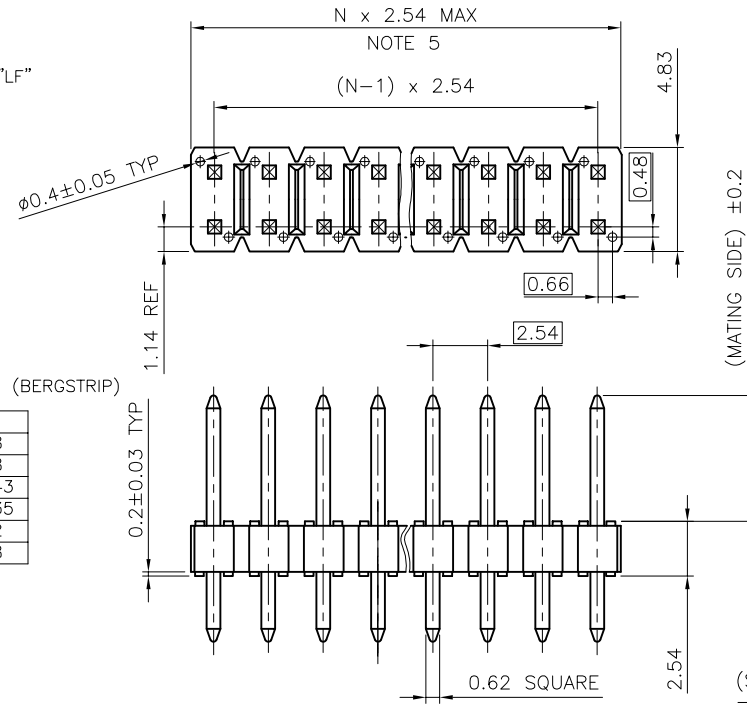
PRODUCT NUMBER (BERGSTRIK PACKAGING)
77313-YXX-00LF

PLATING
1= 0.76µm GOLD/GXT ON CONTACT
AREA, 2µm TIN MIN ON TAILS
8= 0.38µm GOLD/GXT ON CONTACT
AREA, 2µm TIN MIN ON TAILS
4= 2.0µm TIN MIN FULL PLATED

1.27µm NICKEL MIN UNDERLAYER FOR
ALL PLATING VERSIONS

INDICATES THE PRODUCT IS RoHS
COMPATIBLE, SEE NOTE 6
POSITIONS PER REEL : 00=45,000 (BERGSTRIK)

PIN STYLE	MATING	SOLDER	OAL
01	5.84	2.41	10.8
02	5.84	3.42	11.8
18	5.84	3.05	11.43
22	7.75	3.05	13.35
24	6.75	2.9	12.2
27	6.6	2.66	11.8



NOTES:

- HOUSING MAT'L : HIGH TEMPERATURE THERMOPLASTIC. UL94V-0 COLOR: BLACK
- PIN MATERIAL : PHOSPHOR BRONZE
- BERGSTRIK PRODUCT PACKAGED IN POLY BAGS. BERGSTRIK PRODUCT PACKAGED PER REELS.
- 9N MIN RETENTION IN EITHER DIRECTION
- TO DETERMINE DIMENSIONS :
N = NUMBER OF POSITIONS PER ROW
EXAMPLE : 8 POS N x 2.54 = 20.32mm
- RoHS COMPATIBLE PRODUCT SPECIFICATIONS

a - PLATING:

- "LF" MEANS THE PRODUCT IS LEAD-FREE,
2µm MINIMUM MATTE TIN OVER 1.27µm
MINIMUM NICKEL UNDERPLATE.

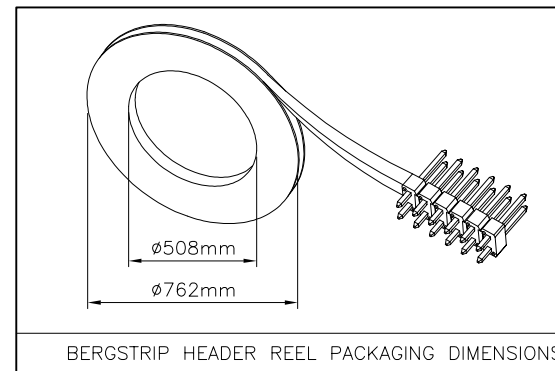
b - MANUFACTURING PROCESS COMPATIBILITY

- THE HOUSING WILL WITHSTAND EXPOSURE TO
260°C ±5°C SOLDER BATH TEMPERATURE FOR
5 SECONDS IN A WAVE SOLDER APPLICATION
WITH A 1.6mm MIN THICK CIRCUIT BOARD.

c - LABELING:

- MEETS PACKAGING SPECS AS PER GS-14-920

d - LEGAL STATEMENT: SEE GS-22-008

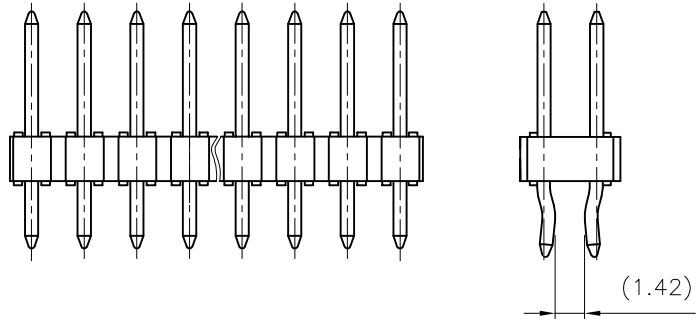


mat'l. code SEE NOTES		surface ISO 1302	tolerance ISO 406 ISO 1101	projection	product family BERGSTIK
ltr	ecn no	dr	date	tolerances unless otherwise specified	title
BG	F09-0095	JCO	09.11.02	angles	UNSHR.HEADER STR DR TMT
				linear	
				xxx ±0.05	
BB	F07-0155	JCO	07.03.15	mm	scale 5:1
BC	F07-0225	LMU	07.06.25	dr	D.LE
BD	F08-0148	RTR	08.03.31	enfr	JM.C
BE	F08-0205	LMU	08.07.24	chr	JM.C
BF	F09-0081	JCO	09.08.28	appd	JCO
sheet index	revision sheet	BG	AX		
	1	AY			



dwg no 77313 sheet 1 of 2 size A3
type CUSTOMER Drawing

RETENTION OPTION



CORE RANGE				
PLATING	PIN STYLE	MATING	SOLDER	OAL
1	01	5.84	2.41	10.8
1	18	5.84	3.05	11.43

PLATING
 1 = 0.76µm GOLD/GXT ON CONTACT AREA
 3.81µm TIN-LEAD ON TAIL

- WHEN "LF" IS REQUIRED, 2µm MATTE TIN OVER 1.27µm MIN NICKEL IS PROVIDED INSTEAD OF TIN-LEAD

CATALOGUE RANGE				
PLATING	PIN STYLE	MATING	SOLDER	OAL
4/8	01	5.84	2.41	10.8
1/4/8	02	5.84	3.42	11.8
4/8	18	5.84	3.05	11.43
1/4/8	22	7.75	3.05	13.35
1/4/8	24	6.75	2.9	12.2
1/4/8	27	6.6	2.65	11.8

APPLICATION SPECIFIC				
PLATING	PIN STYLE	MATING	SOLDER	OAL
1/4/8	03	5.72	5.09	13.35
1/4/8	15	8.51	2.55	13.6
1/4/8	19	12.83	3.03	18.4
1/4/8	20	15.37	3.04	20.95
1/4/8	29	17.46	3.50	23.5
1/4/8	38	5.84	3.82	12.20
1/4/8	46	8.08	2.98	13.6
1/4/8	52	9.5	3.05	15.09
1/4/8	57	8.46	3.05	14.05
1/4/8	58	14.47	3.05	20.06
1/4/8	83	20.46	3.0	26.0
1/4/8	85	10.5	2.9	15.9
1/4/8	87	6.98	3.05	12.57
1/4/8	89	6.93	5.00	14.47
1/4/8	90	6.75	4.05	13.34
1/4/8	91	5.60	10.21	18.4
1/4/8	92	5.65	12.76	20.95
1/4/8	93	6.00	4.81	13.35
1/4/8	94	9.65	2.90	15.09
1/4/8	95	8.90	3.60	15.09
1/4/8	96	20.83	3.05	26.42

NOTES:

- PART NUMBER 77313-YXXRXX(LF)
- 4 PINS "A" USED FOR RETENTION
DIRECTION OF RETENTION SHOWN BY ARROWS
PIN "A" AT EACH END OF HEADER.
- FOR RETENTION OPTION , SOLDER TAIL LENGTH TO BE 2.9 MIN UP TO 3.5 MAX.

PLATING

- 1 = 0.76µm GOLD/GXT ON CONTACT AREA 3.81µm TIN-LEAD ON TAIL
 4 = 3.81µm TIN-LEAD ON CONTACT AREA 3.81µm TIN-LEAD ON TAIL
 8 = 0.38µm GOLD/GXT ON CONTACT AREA 3.81µm TIN-LEAD ON TAIL
- WHEN "LF" IS REQUIRED, 2µm MATTE TIN OVER 1.27µm MIN NICKEL PROVIDED INSTEAD OF TIN-LEAD

mat'l. code		surface ISO 1302		tolerance ISO 406 ISO 1101		projection		product family BERGSTIK	
ltr	ecn no	dr	date	tolerances unless otherwise specified		mm		title	
AW	F08-0148	RTR	08.03.31	angles	linear	scale N/A		UNSHR.HEADER	
AX	F08-0205	LMU	08.07.24					STR DR TMT	
AY	F09-0095	JCO	09.11.02					sheet 2 of - size	
AT	F07-0110	LMU	07.01.17	dr	D.LE	01.01.24	FCJ		77313
AU	F07-0114	LMU	07.01.24	enrg	JM.C	01.01.24			A3
AV	F07-0125	LMU	07.02.05	chr	JM.C	01.01.24			
				appd	JF.N	01.01.24	type CUSTOMER		Drawing
sheet index	revision sheet								