

- NOTES:
1. MATERIALS: HOUSING - LIQUID CRYSTAL POLYMER (LCP)  
GLASS-FILLED, UL94V-0  
TERMINALS - HIGH PERFORMANCE COPPER ALLOY
  2. FINISH: 30μ MIN GOLD IN CONTACT AREA.  
SELECTIVE TIN OR TIN-LEAD ON PCB TAILS.  
NICKEL OVERALL.
  3. REFER TO MOLEX PRODUCT SPECIFICATION PS-76060-999  
FOR PERFORMANCE SPECIFICATIONS AND ADDITIONAL PCB INFORMATION.
  4. THIS PART CONFORMS TO CLASS B REQUIREMENTS OF  
MOLEX COSMETIC SPEC PS-45499-002.
  5. PACKAGE PER: PK-70873-759.
  6. SEE SHEETS 2 & 3 FOR PART NUMBERS AND BOARD RELATIONSHIPS.
  7. FOR GROUNDED GUIDE PINS USE DIA. 3.56 +/-0.08 (PTH)  
DIA. 3.66 (DRILL) AND DIA 6.5 (PAD).
  8. MATES WITH IMPACT DC SERIES NO. 76060.
  9. KEEP OUT ZONE FOR BP HOUSING LENGTH INCLUDES AN ADDITIONAL 1.0MM  
TO ACCOMMODATE FOR SPACE REQUIRED BY DC FRONT HOUSING.
  10. REFER TO MOLEX PCB ROUTING GUIDE AS-76060-990 FOR ANTI PAD AND ROUTING RECOMMENDATIONS.
  11. CONNECTORS SUPPLIED WITH A 2-56 UNC-2A SCREW.
  12. \*THESE DIMENSIONS REPRESENT THE AREA NEEDED TO ACCOMMODATE CONNECTOR INSERTION  
AND REPAIR ON THE PC BOARD. THIS IS REFERRED TO AS THE 'CONNECTOR KEEP OUT ZONE'  
AND DOES NOT REPRESENT THE ACTUAL PERIMETER OF THE CONNECTOR, WHEN LAYING OUT  
A PC BOARD FOR CONNECTORS STACK TOGETHER. USE A 1.9mm PROGRESSION.\*

REVISED EC NO: UCP2012-2337 2012/01/25 DRWN: B INGHAM CHKD: LAURX 2012/01/25 APPR: J LAURX 2012/02/03 DESCRIPTION	QUALITY SYMBOLS ▽=0 ▽=0	GENERAL TOLERANCES (UNLESS SPECIFIED) <table border="1"> <tr> <th></th> <th>mm</th> <th>INCH</th> </tr> <tr> <td>4 PLACES</td> <td>±.05</td> <td>±.002</td> </tr> <tr> <td>3 PLACES</td> <td>±.03</td> <td>±.001</td> </tr> <tr> <td>2 PLACES</td> <td>±.02</td> <td>±.0005</td> </tr> <tr> <td>1 PLACE</td> <td>±.01</td> <td>±.0002</td> </tr> </table> ANGULAR ±1/2°		mm	INCH	4 PLACES	±.05	±.002	3 PLACES	±.03	±.001	2 PLACES	±.02	±.0005	1 PLACE	±.01	±.0002	DIMENSION STYLE MM ONLY	SCALE 4:1	DESIGN UNITS METRIC	THIRD ANGLE PROJECTION
		mm	INCH																		
4 PLACES	±.05	±.002																			
3 PLACES	±.03	±.001																			
2 PLACES	±.02	±.0005																			
1 PLACE	±.01	±.0002																			
DRAWN BY MSANDBERG DATE 05/24/2007 CHECKED BY J LAURX DATE 05/24/2007 APPROVED BY J LAURX DATE 2010/10/15	TITLE IMPACT 5 PAIR HEADER LEFT GUIDED ASSEMBLY SALES DRAWING	MATERIAL NO. SEE CHART	DOCUMENT NO. SD-76055-002	SHEET NO. 1 OF 3	MOLEX INCORPORATED																

# PART NUMBER LOGIC

## 76055-\*\*\*\*

MODULE TYPE  
 2 = GUIDE LEFT, TIN/LEAD  
 3 = GUIDE LEFT, TIN  
 6 = GUIDE LEFT END WALL, TIN/LEAD  
 7 = GUIDE LEFT END WALL, TIN

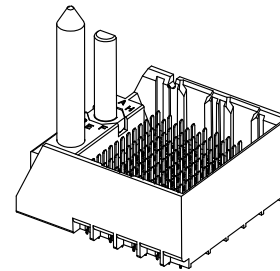
# OF COLUMNS  
 1 = 10 COL  
 2 = 12 COL  
 6 = 16 COL  
 7 = 14 COL

KEY ORIENTATION  
 0 = NO KEY  
 1 = A  
 2 = B  
 3 = C  
 4 = D  
 5 = E  
 6 = F  
 7 = G  
 8 = H

PIN LENGTH (P)  
 3 = 4.50 (SHORT COMPLIANT, 0.46±0.05 PTH)  
 4 = 4.90 (SHORT COMPLIANT, 0.46±0.05 PTH)  
 5 = 5.50 (SHORT COMPLIANT, 0.46±0.05 PTH)  
 6 = 4.50 (MICRO COMPLIANT, 0.39±0.05 PTH)  
 7 = 4.90 (MICRO COMPLIANT, 0.39±0.05 PTH)  
 8 = 5.50 (MICRO COMPLIANT, 0.39±0.05 PTH)

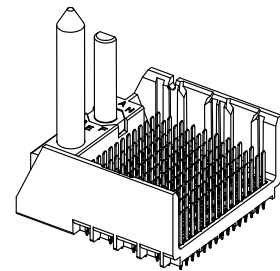
# PART NUMBER CHART

MATERIAL NUMBER	# OF COLUMNS	# OF DIFF PAIR	DIM "A"	DIM "B"	GUIDE LEFT END WALL OPTION
76055-*1**	10	50	26.9	17.10	
76055-*2**	12	60	30.7	20.90	
76055-*7**	14	70	34.5	24.70	
76055-*6**	16	80	38.3	28.50	



GUIDE LEFT  
END WALL  
OPTION

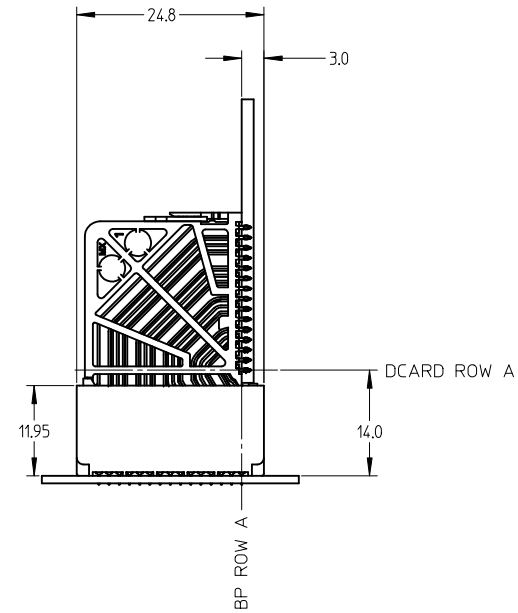
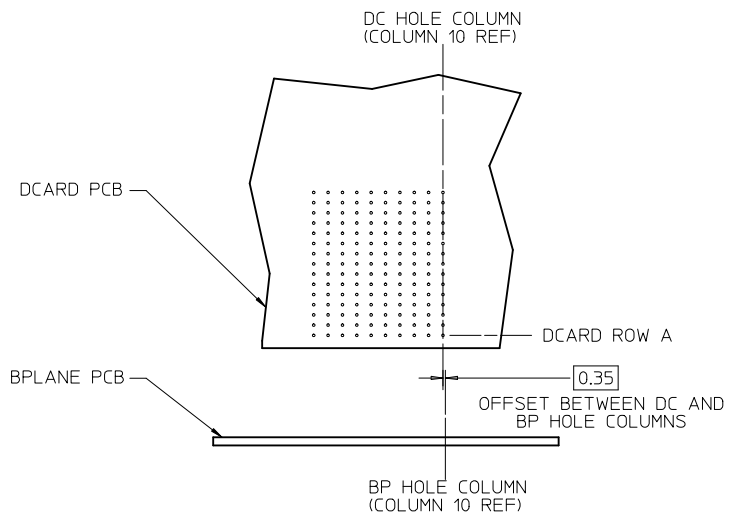
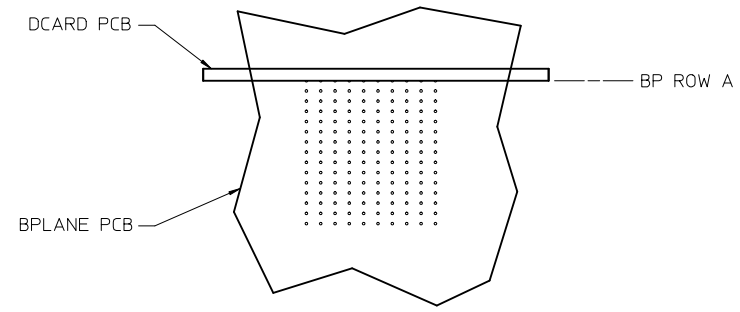
MATERIAL NUMBER	# OF COLUMNS	# OF DIFF PAIR	DIM "A"	DIM "B"	GUIDE LEFT OPEN WALL OPTION
76055-*1**	10	50	25.5	17.10	
76055-*2**	12	60	29.3	20.90	
76055-*7**	14	70	33.1	24.70	
76055-*6**	16	80	36.9	28.50	



GUIDE LEFT  
OPEN WALL  
OPTION

SEE SHEET 1 EC NO: UCP2012-2337 DRWN: BINGHAM 2012/01/25 CHKD: JLAURX 2012/01/25 APPR: JLAURX 2012/02/03	QUALITY SYMBOLS	GENERAL TOLERANCES (UNLESS SPECIFIED) <table border="1"> <tr> <th></th> <th>mm</th> <th>INCH</th> </tr> <tr> <td>4 PLACES</td> <td>± .---</td> <td>± .---</td> </tr> <tr> <td>3 PLACES</td> <td>± .---</td> <td>± .---</td> </tr> <tr> <td>2 PLACES</td> <td>± 0.13</td> <td>± .---</td> </tr> <tr> <td>1 PLACE</td> <td>± 0.25</td> <td>± .---</td> </tr> </table> ANGULAR ±1/2°		mm	INCH	4 PLACES	± .---	± .---	3 PLACES	± .---	± .---	2 PLACES	± 0.13	± .---	1 PLACE	± 0.25	± .---	DIMENSION STYLE <b>MM ONLY</b>	SCALE 2:1	DESIGN UNITS METRIC	THIRD ANGLE PROJECTION
			mm	INCH																	
	4 PLACES		± .---	± .---																	
	3 PLACES		± .---	± .---																	
2 PLACES	± 0.13	± .---																			
1 PLACE	± 0.25	± .---																			
DESCRIPTION	DRAWN BY MSANDBERG DATE 05/24/2007 CHECKED BY JLAURX DATE 05/24/2007 APPROVED BY JLAURX DATE 2010/10/15	TITLE <b>IMPACT 5 PAIR HEADER LEFT GUIDED ASSEMBLY SALES DRAWING</b>																			
REV	DRAFT WHERE APPLICABLE MUST REMAIN WITHIN DIMENSIONS	MATERIAL NO. <b>SEE CHART</b>	MOLEX INCORPORATED DOCUMENT NO. <b>SD-76055-002</b>	SHEET NO. 2 OF 3																	
		THIS DRAWING CONTAINS INFORMATION THAT IS PROPRIETARY TO MOLEX INCORPORATED AND SHOULD NOT BE USED WITHOUT WRITTEN PERMISSION																			

# IMPACT 5 PAIR BOARD RELATIONSHIPS



SEE SHEET 1 EC NO: UCP2012-2337 DRWN: B INGHAM 2012/01/25 CHKD: JLAURX 2012/01/25 APPR: JLAURX 2012/02/03	QUALITY SYMBOLS ▽=0 ▽=0	GENERAL TOLERANCES (UNLESS SPECIFIED)		DIMENSION STYLE <b>MM ONLY</b>	SCALE <b>2:1</b>	DESIGN UNITS <b>METRIC</b>	THIRD ANGLE PROJECTION	
				DRAWN BY MSANDBERG	DATE 05/24/2007	<b>IMPACT 5 PAIR HEADER LEFT GUIDED ASSEMBLY SALES DRAWING</b>		
		4 PLACES ± ---	± ---	CHECKED BY JLAURX	DATE 05/24/2007			
		3 PLACES ± ---	± ---	APPROVED BY JLAURX	DATE 2010/10/15	<b>MOLEX INCORPORATED</b>		
2 PLACES ± 0.13	± ---	ANGULAR ± 1/2°		MATERIAL NO.	DOCUMENT NO.	SD-76055-002		
1 PLACE ± 0.25	± ---	DRAFT WHERE APPLICABLE MUST REMAIN WITHIN DIMENSIONS		SIZE C	THIS DRAWING CONTAINS INFORMATION THAT IS PROPRIETARY TO MOLEX INCORPORATED AND SHOULD NOT BE USED WITHOUT WRITTEN PERMISSION			