

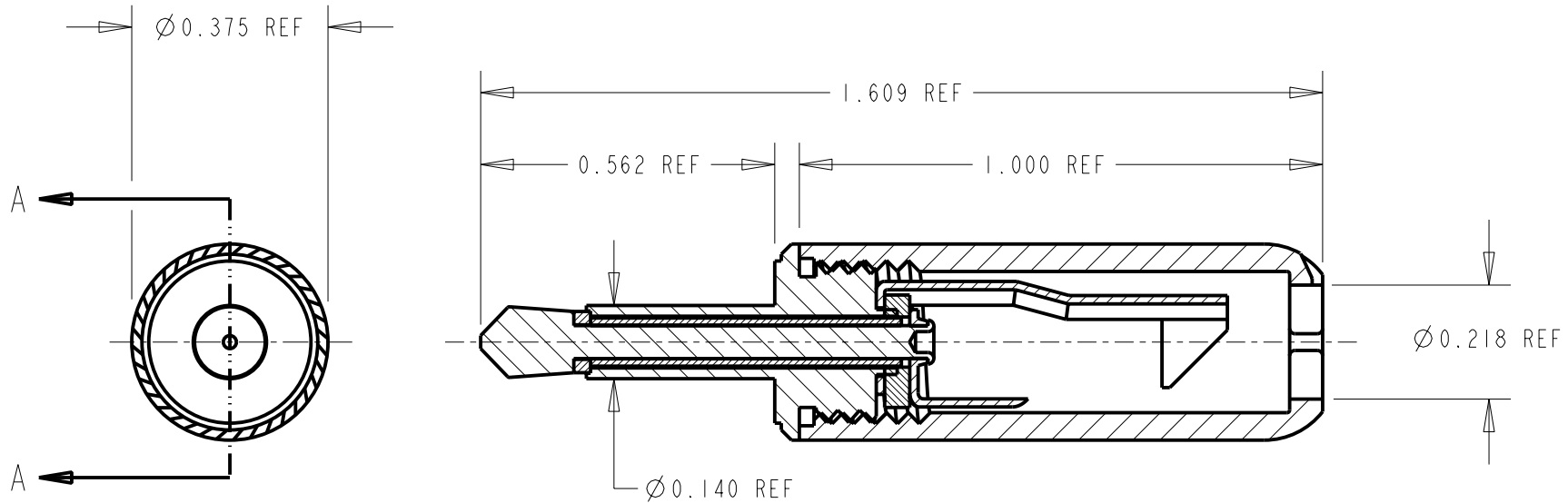
SPECIFICATIONS:

TIP ROD & BODY : BRASS, NICKEL PLATED

TERMINALS: BRASS, ELECTRO TIN PLATED

INSULATORS: NATURAL PHENOLIC.

HANDLE: ETHYL CELLULOSE, BLACK. SHIPPED UNASSEMBLED



SECTION A-A

CUSTOMER DRAWING

					★ STAR SYMBOL DENOTES CRITICAL DIMENSION	THIS DRAWING DESCRIBES A DESIGN CONSIDERED PROPRIETARY IN NATURE, DEVELOPED AND MANUFACTURED BY SWITCHCRAFT INC. AND IS RELEASED ON A CONFIDENTIAL BASIS FOR IDENTIFICATION PURPOSES ONLY.					
					UNLESS OTHERWISE SPECIFIED	SIZE	WIDTH	MULT	LBS/M	TEMPER	
					1. ALL DIMENSIONS IN INCHES - TWO PLACE DECIMALS ±0.01 - THREE PLACE DECIMALS ±0.005 - ANGLES ±1° - ALL DIA. CONCENTRIC WITHIN 0.005 T.I.R.	FINISH			MATERIAL		
					2. FEATURES ON THE SAME CENTERLINE MUST BE ALIGNED WITHIN ±0.002	SPEC No.			SPEC No.		
					3. REMOVE ALL BURRS	FIRST USED ON		SCALE		Switchcraft®	
						DATE DRAWN		3:1			
C	21730	5-21-99	DA	JF		5-19-64	BY JRT	CHKD CJD 7-6-64	APVD LG 7-7-64	SHEET	OF
REV	ECO NUMBER	DATE	BY	APVD		NAME			PART No.		REV
REVISIONS					DO NOT SCALE DRAWING	TINI PLUG 2 CONDUCTOR			750		C