

PLEASE CHECK WWW.MOLEX.COM FOR LATEST PART INFORMATION

Part Number: [0740622562](#)
Status: **Active**
Description: VHDM BP 8 ROW SHLD END ASSY 25 COL

Documents:

[Drawing \(PDF\)](#) [RoHS Certificate of Compliance \(PDF\)](#)
[Packaging Specification PK-74061-003 \(PDF\)](#)

Agency Certification

CSA LR19980

General

Product Family Backplane Connectors
 Series [74062](#)
 UPC 800753259621

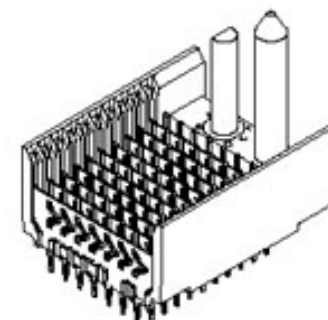
Physical

Flammability 94V-0
 Net Weight 17.610/g

Material Info

Reference - Drawing Numbers

Packaging Specification PK-74061-003
 Sales Drawing SD-74062-002



Series image - Reference only

EU ELV

Not Relevant

EU RoHS

Not Compliant

REACH SVHC

Not Contained Per -
 ED/21/2016 (20 June
 2016)

Halogen-Free

Status

Low-Halogen

**Need more information on product
 environmental compliance?**

Email productcompliance@molex.com
 Please visit the [Contact Us](#) section for any
 non-product compliance questions.

China ROHS

50 Image

ELV

Not Relevant

Search Parts in this Series

[74062 Series](#)

Application Tooling | [FAQ](#)

*Tooling specifications and manuals are
 found by selecting the products below.
 Crimp Height Specifications are then
 contained in the Application Tooling
 Specification document.*

Global

Description	Product #
Insertion Module for Standard Shield Signal Header, 8- Row by 25-Wide, 50.00mm	0622020210
Signal Pin Inserter Repair Tool	0622015700
8-Row Pin and Shield Repair Tool	0622015900

Insertion Module for Advanced Mate Signal Header, 6- Row by 25-Wide, 50.00mm	<u>0622020206</u>
8-Row Shield Extraction Tool	<u>0622016100</u>

This document was generated on 07/11/2016

PLEASE CHECK WWW.MOLEX.COM FOR LATEST PART INFORMATION