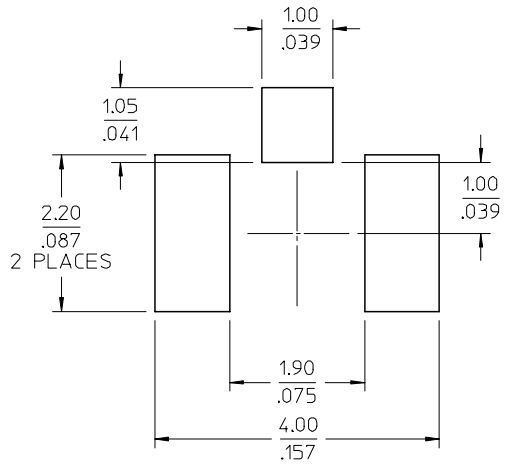
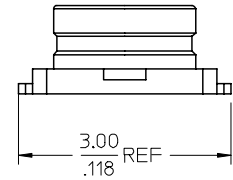
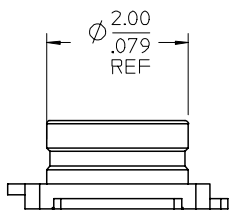
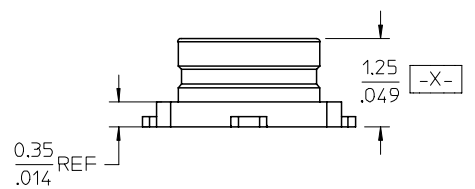
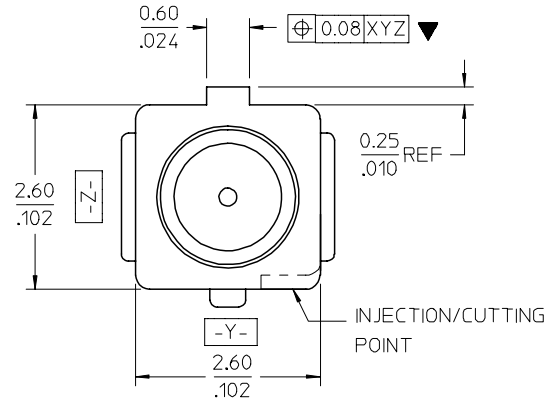
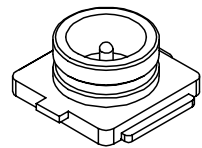


MATERIAL AND FINISHES:

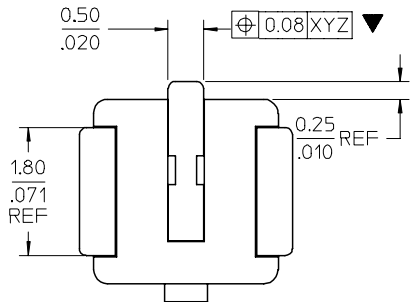
BASE: LCP
 COLOR: IVORY

CONTACT: PHOSPHOR BRONZE (JIS 5191-SH)
 PLATED GOLD

OUTER CONTACT PHOSPHOR BRONZE (JIS 5191-SH)
 PLATED GOLD



RECOMMEND PCB LAYOUT



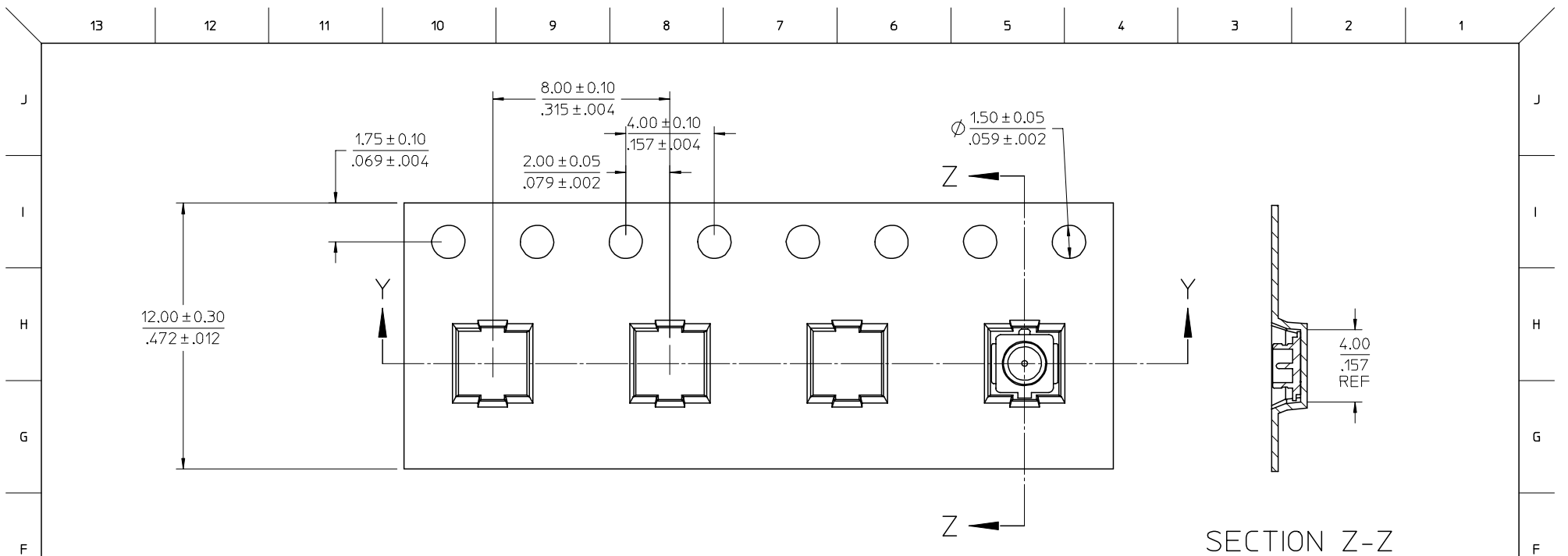
73412-0112	73412-0110, ONE PER BAG WITHOUT TAPE
73412-0110	TAPE AND REEL
PART NO.	PACKAGING

CHG: ADDED P/N 73412-0112 AND UPADTED BORDER
 EC NO: URF2007-0326
 DRWN: FLAHERTY 2007/03/14
 CHKD: SHAH 2007/03/14
 APPR: JIMENER 2007/03/14
 A8

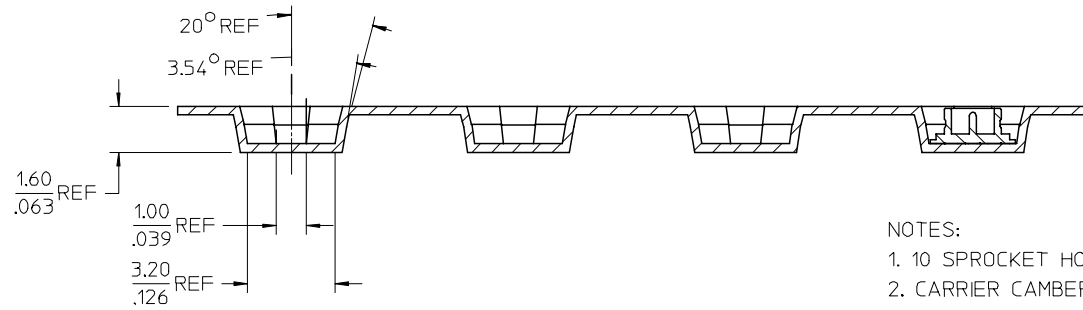
GENERAL TOLERANCES (UNLESS SPECIFIED)	
	MM/IN
4 PLACES	± .005 / ± .0002
3 PLACES	± .005 / ± .0002
2 PLACES	± 0.25 / ± .010
1 PLACE	± 0.13 / ± .005
ANGULAR ± 2 °	

DIMENSION STYLE	
MM/IN	
DRAWN BY	DATE
DARRY	2003/11/27
CHECKED BY	DATE
JOHNSON	2003/11/27
APPROVED BY	DATE
MISEN	2003/11/27

SCALE	DESIGN UNITS	THIRD ANGLE PROJECTION
	METRIC	
TITLE		
MICRO COAXIAL CONNECTOR RECEPTACLE VERTICAL		
MOLEX INCORPORATED		
MATERIAL NO.	DOCUMENT NO.	SHEET NO.
SEE TABLE	SD-73412-011	1 OF 2
DRAFT WHERE APPLICABLE MUST REMAIN WITHIN DIMENSIONS		
THIS DRAWING CONTAINS INFORMATION THAT IS PROPRIETARY TO MOLEX INCORPORATED AND SHOULD NOT BE USED WITHOUT WRITTEN PERMISSION		



SECTION Z-Z



SECTION Y-Y

NOTES:

- 10 SPROCKET HOLE PITCH CUMULATIVE TOLERANCE ± 0.20 mm
- CARRIER CAMBER IS WITH 1mm IN 1000mm
- MATERIAL : TRANSPARENT POLYSTYRENE ALLOY
- ALL DIMENSIONS MEET EIA-481-1 REQUIREMENT
- THICKNESS: 0.30 ± 0.05 mm
- PACKING LENGTH PER 22" REEL (122.5 Meters)
- COMPONENT LOAD PER 13' REEL (5,000 PCS)

A	B	C	D	E	F	G	H	I	J	1	2	3	4	5	6	7	8	9	10	11	12	13	CHG: SEE SHEET 1 EC NO: URF 2007-0326 DRAWN: FLAHERTY 2007/03/14 CHKD: SHAH 2007/03/14 APPR: JIMENER 2007/03/14 A8	QUALITY SYMBOLS $\nabla=0$ $\nabla=0$	GENERAL TOLERANCES (UNLESS SPECIFIED) <table border="1"> <tr> <th></th> <th>mm</th> <th>INCH</th> </tr> <tr> <td>4 PLACES</td> <td>$\pm .13$</td> <td>$\pm .005$</td> </tr> <tr> <td>3 PLACES</td> <td>$\pm .25$</td> <td>$\pm .010$</td> </tr> <tr> <td>2 PLACES</td> <td>$\pm .38$</td> <td>$\pm .015$</td> </tr> <tr> <td>1 PLACE</td> <td>$\pm .51$</td> <td>$\pm .020$</td> </tr> <tr> <td colspan="3">ANGULAR $\pm 2^\circ$</td> </tr> </table>		mm	INCH	4 PLACES	$\pm .13$	$\pm .005$	3 PLACES	$\pm .25$	$\pm .010$	2 PLACES	$\pm .38$	$\pm .015$	1 PLACE	$\pm .51$	$\pm .020$	ANGULAR $\pm 2^\circ$			DIMENSION STYLE MM/IN	SCALE DESIGN UNITS METRIC	THIRD ANGLE PROJECTION
																								mm	INCH																					
																							4 PLACES	$\pm .13$	$\pm .005$																					
																							3 PLACES	$\pm .25$	$\pm .010$																					
2 PLACES	$\pm .38$	$\pm .015$																																												
1 PLACE	$\pm .51$	$\pm .020$																																												
ANGULAR $\pm 2^\circ$																																														
DRAWN BY DARRY	DATE 2003/11/27	TITLE MICRO COAXIAL CONNECTOR RECEPTACLE VERTICAL	MOLEX INCORPORATED																																											
CHECKED BY JOHNSON	DATE 2003/11/27	APPROVED BY MISEN		DATE 2003/11/27																																										
DRAFT WHERE APPLICABLE MUST REMAIN WITHIN DIMENSIONS		SEE SHEET 1		MATERIAL NO. SD-73412-011	DOCUMENT NO. SHEET NO. 2 OF 2																																									
THIS DRAWING CONTAINS INFORMATION THAT IS PROPRIETARY TO MOLEX INCORPORATED AND SHOULD NOT BE USED WITHOUT WRITTEN PERMISSION																																														