

MATERIAL AND FINISHES:

BASE: LCP

CONTACT: BRASS

C2680 (t=0.15)

PLATED: GOLD (0.03 MICROMETER MINIMUM) OVER NICKEL (1~4 MICROMETER)

OUTER CONTACT: PHOSPHOR BRONZE (JIS 5191-SH) C5210 (t=0.12)

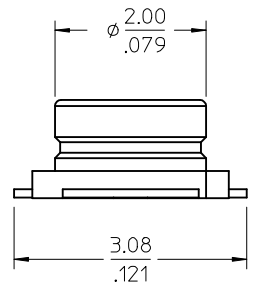
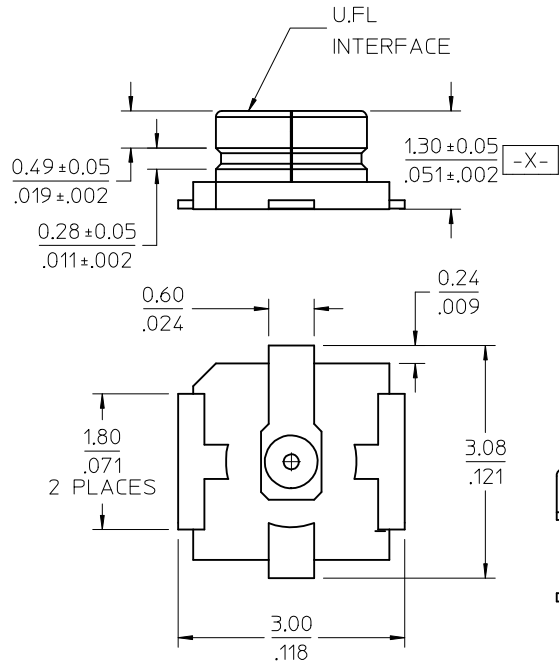
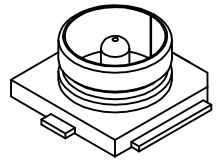
PLATED: GOLD (0.03 MICROMETER MINIMUM) OVER NICKEL (1~4 MICROMETER)

WILL WITHSTAND REFLOW TEMPERATURE OF 265 DEG C ±5 DEG

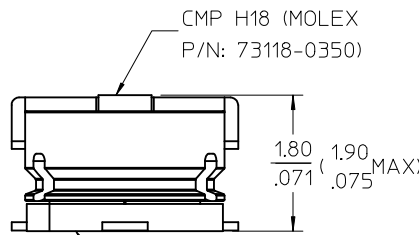
VSWR

DC-3GHz: 1.18 MAX

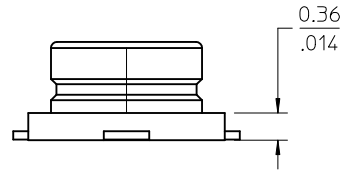
DC-6GHz: 1.30 MAX



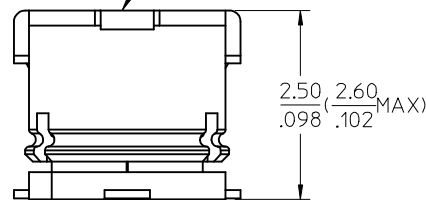
MATED HEIGHT



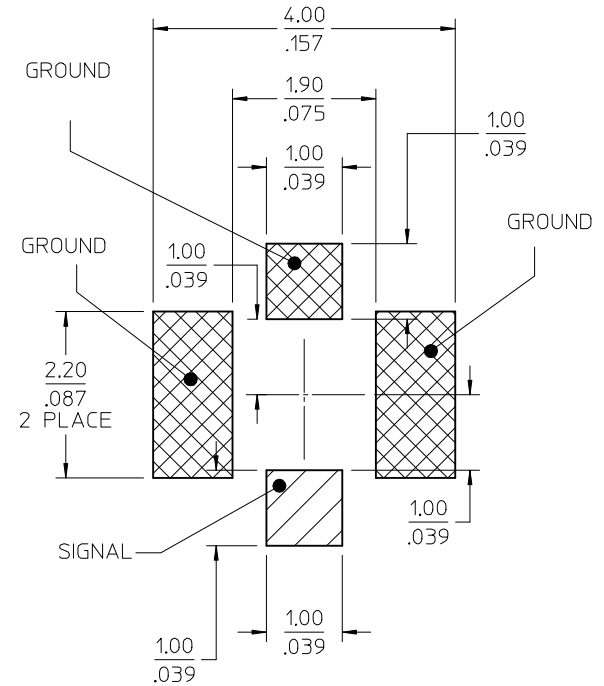
CMJ (MOLEX P/N: 73412-0110) (NOT INCLUDED WITH 73118-0350 ASSEMBLY)



CMP H25 (MOLEX P/N: 73118-0360)



CMJ (MOLEX P/N: 73412-0110) (NOT INCLUDED WITH 73118-0360 ASSEMBLY)



PS-73598-0210	PROD SPEC
SPECIFICATION	DESCRIPTION

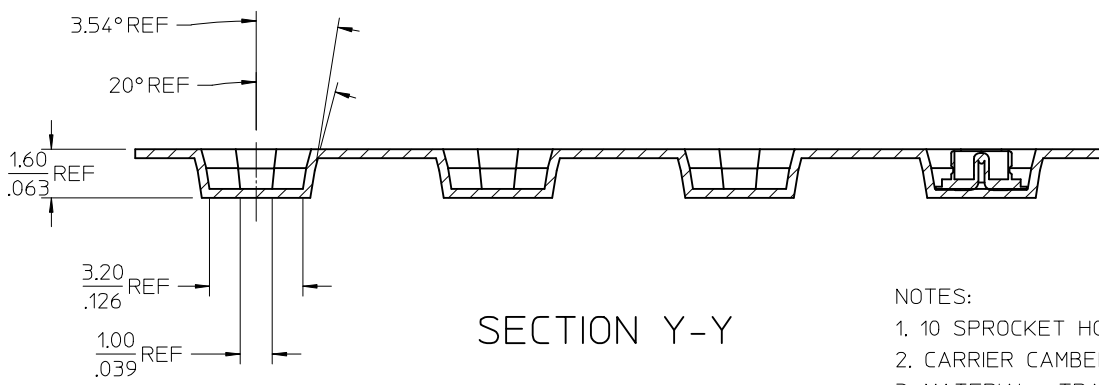
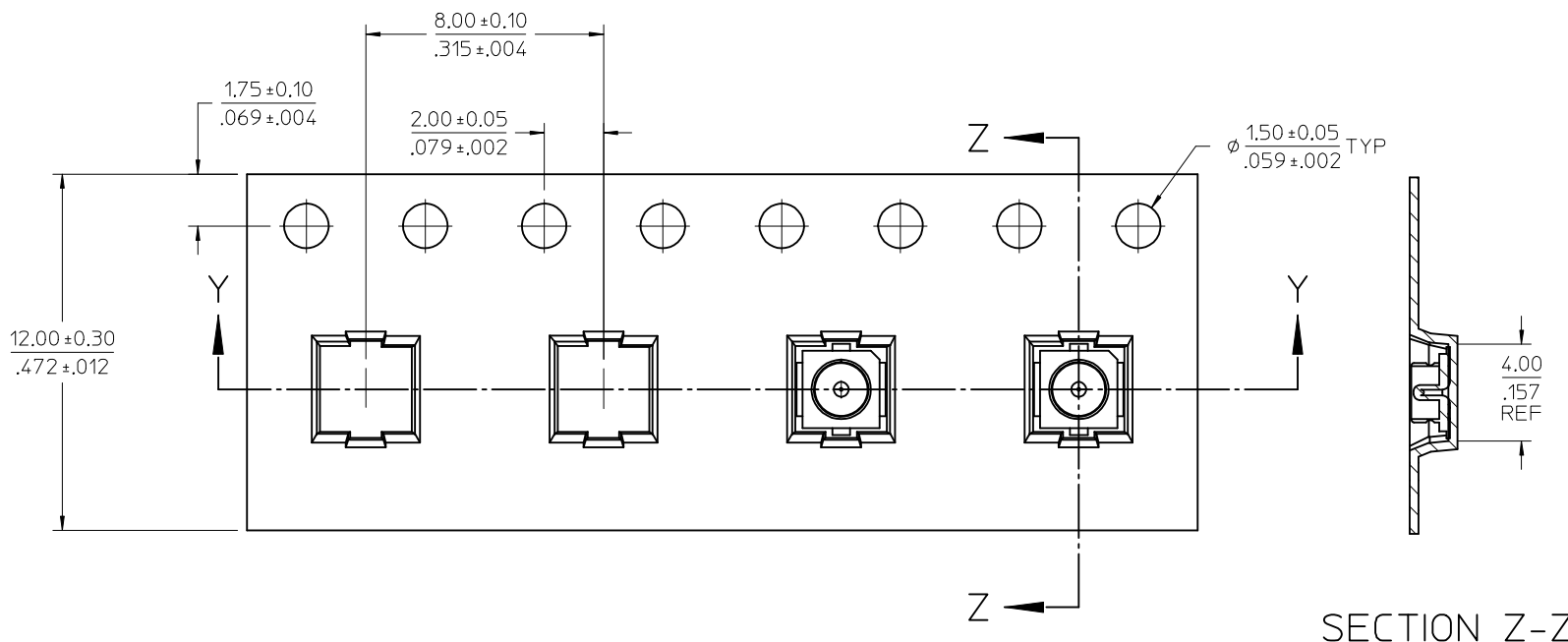
73412-0114	TAPE AND REEL (1K/REEL)
73412-0112	73412-0110, 10 PIECES PER BAG IN TAPE
73412-0110	TAPE AND REEL (5K/REEL)
PART NO.	PACKAGING

CHG: ADD PART ORIENTATION VIEW IN PACKING EWR RF-15-E088	EC NO: URF2015-0305	DATE: 2014/12/09
	DRWN: YCHENG	CHKD: APPR: YCHENG
DESCRIPTION	DATE: 2014/12/09	

QUALITY SYMBOLS	GENERAL TOLERANCES (UNLESS SPECIFIED)
▽=0	mm INCH
▽=0	4 PLACES ± --- ± ---
	3 PLACES ± --- ± ---
	2 PLACES ± 0.25 ± ---
	1 PLACE ± 0.13 ± ---
	ANGULAR ± 2 °
	DRAFT WHERE APPLICABLE MUST REMAIN WITHIN DIMENSIONS

DIMENSION STYLE	SCALE	DESIGN UNITS	THIRD ANGLE PROJECTION
MM/IN		METRIC	
DRAWN BY	DATE	TITLE	
DARRY	2003/1/27	MICRO COAXIAL CONNECTOR RECEPTACLE VERTICAL EWR-4537	
CHECKED BY	DATE		
JOHNSON	2003/1/27		
APPROVED BY	DATE		
MHUANG	2010/11/28		
MATERIAL NO.	DOCUMENT NO.		
SEE TABLE	SD-73412-011		
SIZE			SHEET NO. 1 OF 2

THIS DRAWING CONTAINS INFORMATION THAT IS PROPRIETARY TO MOLEX INCORPORATED AND SHOULD NOT BE USED WITHOUT WRITTEN PERMISSION	
---	--



SECTION Y-Y

SECTION Z-Z

- NOTES:
- 10 SPROCKET HOLE PITCH CUMULATIVE TOLERANCE $\pm 0.20\text{mm}$
 - CARRIER CAMBER IS WITH 1mm IN 250mm
 - MATERIAL : TRANSPARENT POLYSTYRENE
 - ALL DIMENSIONS MEET EIA-481-1 REQUIREMENT
 - COMPONENT LOAD PER 13" REEL (5,000 PCS),
COMPONENT LOAD PER 7" REEL (1,000 PCS),

CHG: SEE SHEET 1	QUALITY SYMBOLS
EC NO: URF2015-0305	$\nabla=0$
DRWN: YCHENG 2014/12/09	$\nabla=0$
CHKD: YCHENG	
APPR: YCHENG 2014/12/09	
REV	DESCRIPTION
C9	

GENERAL TOLERANCES (UNLESS SPECIFIED)	
	mm
	INCH
4 PLACES	$\pm .25$
3 PLACES	$\pm .13$
2 PLACES	± 0.25
1 PLACE	± 0.13
ANGULAR $\pm 2^\circ$	
DRAFT WHERE APPLICABLE MUST REMAIN WITHIN DIMENSIONS	

DIMENSION STYLE	
MM/IN	
DRAWN BY	DATE
DARRY	2003/1/27
CHECKED BY	DATE
JOHNSON	2003/1/27
APPROVED BY	DATE
MHUANG	2010/11/28
MATERIAL NO.	
SEE SHEET 1	
SIZE	
C	

SCALE	DESIGN UNITS	THIRD ANGLE PROJECTION
	METRIC	
TITLE		
MICRO COAXIAL CONNECTOR RECEPTACLE VERTICAL EWR-4537		
MOLEX INCORPORATED		
DOCUMENT NO.	SHEET NO.	
SD-73412-011	2 OF 2	
THIS DRAWING CONTAINS INFORMATION THAT IS PROPRIETARY TO MOLEX INCORPORATED AND SHOULD NOT BE USED WITHOUT WRITTEN PERMISSION		