

MATERIAL AND FINISHES:

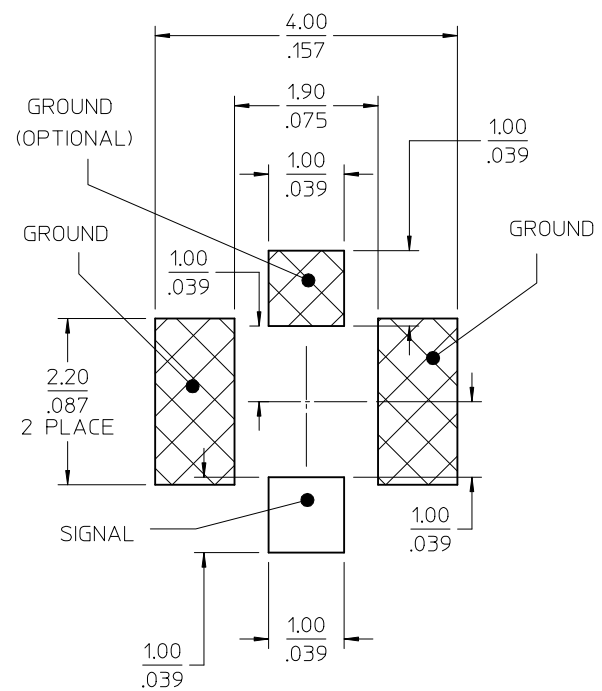
BASE: LCP

CONTACT: BRASS
PLATED GOLD (3u") OVER NICKEL (50u")

OUTER CONTACT PHOSPHOR BRONZE (JIS 5191-SH)
PLATED GOLD (FLASH) OVER NICKEL (50u")

WILL WITHSTAND REFLOW
TEMPERATURE OF
265 DEG C ±5 DEG

VSWR
DC-3GHz: 1.18 MAX
DC-6GHz: 1.30 MAX



PS-73598-0210	PROD SPEC
SPECIFICATION	DESCRIPTION

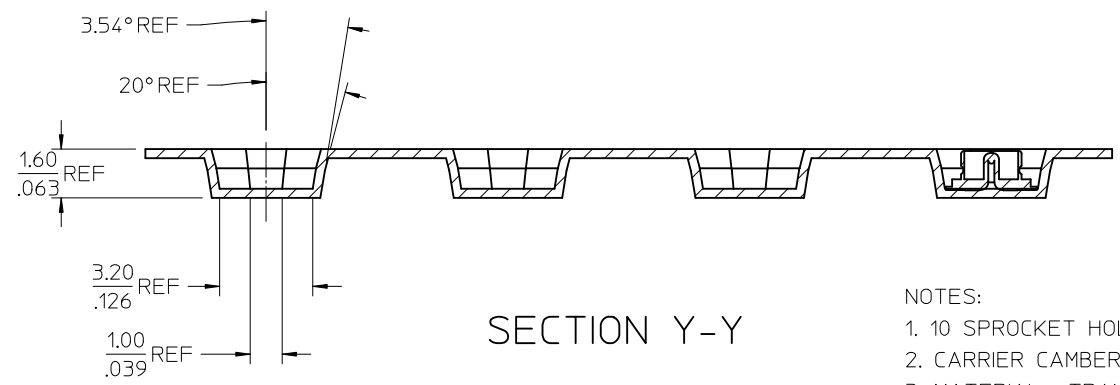
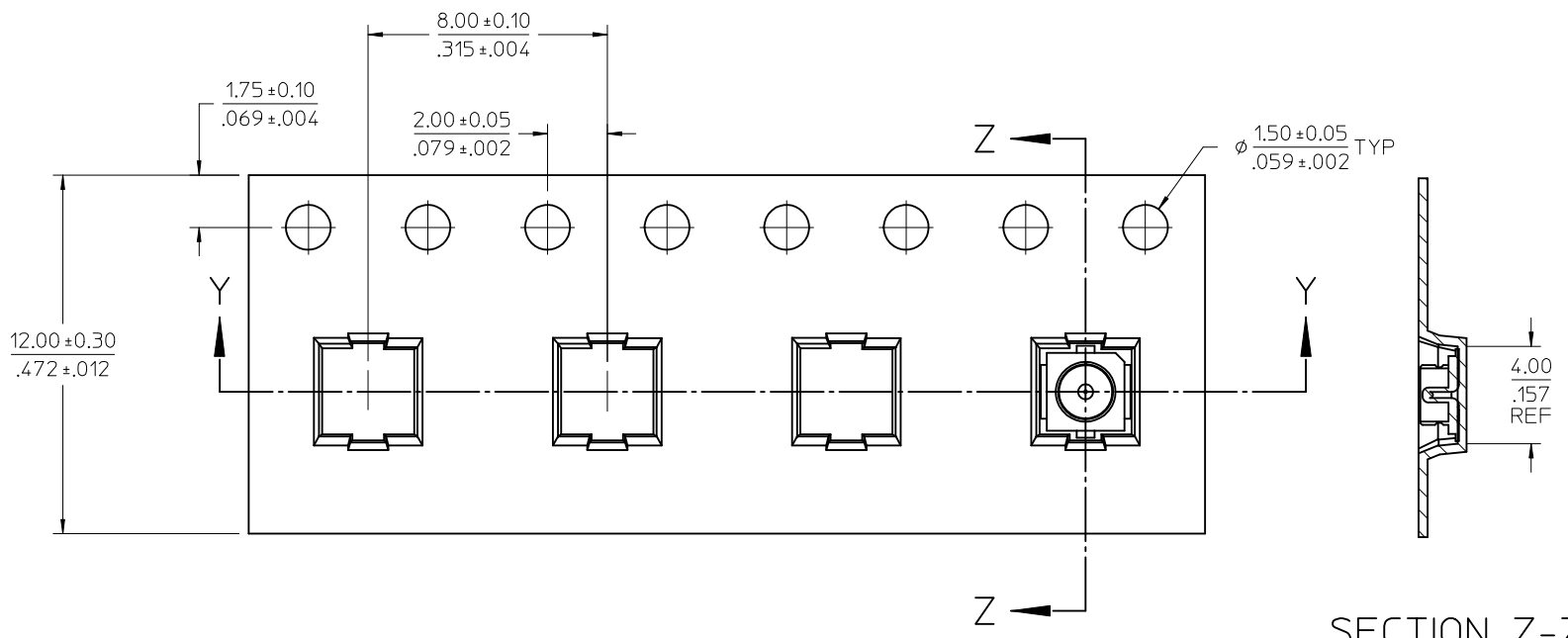
73412-0114	TAPE AND REEL (1K/REEL)
73412-0112	73412-0110, 10 PIECES PER BAG IN TAPE
73412-0110	TAPE AND REEL (5K/REEL)
PART NO.	PACKAGING

CHG: UPDATE GEOMETRY EWR 4537	EC NO: URF2012-0637	2012/04/25
DRWN: BOMALLEY	CHKD: AZR	2012/04/26
APPR: JWENNER	DATE	2012/04/27
REV: C6	DESCRIPTION	

QUALITY SYMBOLS	▽=0
	▽=0

GENERAL TOLERANCES (UNLESS SPECIFIED)	DIMENSION STYLE	SCALE	DESIGN UNITS	THIRD ANGLE PROJECTION
	MM/IN		METRIC	
4 PLACES ± --- ± ---	DRAWN BY DATE	TITLE		
3 PLACES ± --- ± ---	CHECKED BY DATE	MICRO COAXIAL CONNECTOR RECEPTACLE VERTICAL EWR-4537		
2 PLACES ± 0.25 ± ---	APPROVED BY DATE	MOLEX INCORPORATED		
1 PLACE ± 0.13 ± ---	MATERIAL NO.	DOCUMENT NO.	SHEET NO.	
ANGULAR ± 2 °	SEE TABLE	SD-73412-011	1 OF 2	
DRAFT WHERE APPLICABLE MUST REMAIN WITHIN DIMENSIONS	SIZE C	THIS DRAWING CONTAINS INFORMATION THAT IS PROPRIETARY TO MOLEX INCORPORATED AND SHOULD NOT BE USED WITHOUT WRITTEN PERMISSION		

DRAWN BY DATE	DATE	TITLE
DARRY 2003/1/27		MICRO COAXIAL CONNECTOR RECEPTACLE VERTICAL EWR-4537
CHECKED BY DATE	DATE	
JOHNSON 2003/1/27		
APPROVED BY DATE	DATE	
MHUANG 2010/11/28		
MATERIAL NO.	DOCUMENT NO.	SHEET NO.
SEE TABLE	SD-73412-011	1 OF 2
THIS DRAWING CONTAINS INFORMATION THAT IS PROPRIETARY TO MOLEX INCORPORATED AND SHOULD NOT BE USED WITHOUT WRITTEN PERMISSION		



SECTION Z-Z

SECTION Y-Y

- NOTES:
- 10 SPROCKET HOLE PITCH CUMULATIVE TOLERANCE $\pm 0.20\text{mm}$
 - CARRIER CAMBER IS WITH 1mm IN 250mm
 - MATERIAL : TRANSPARENT POLYSTYRENE ALLOY
 - ALL DIMENSIONS MEET EIA-481-1 REQUIREMENT
 - COMPONENT LOAD PER 13" REEL (5,000 PCS),
COMPONENT LOAD PER 7" REEL (1,000 PCS),

CHG: SEE SHEET 1	EC NO: URF2012-0637	2012/04/25
	DRWN: BOMALLEY	2012/04/26
	CHKD: AZR	2012/04/27
	APPR: JWIENER	2012/04/27
REV	DESCRIPTION	
C6		

QUALITY SYMBOLS	$\nabla=0$
	$\nabla=0$

GENERAL TOLERANCES (UNLESS SPECIFIED)	mm	INCH
4 PLACES	$\pm .13$	$\pm .005$
3 PLACES	$\pm .25$	$\pm .010$
2 PLACES	$\pm .38$	$\pm .015$
1 PLACE	$\pm .51$	$\pm .020$
ANGULAR $\pm 2^\circ$		
DRAFT WHERE APPLICABLE MUST REMAIN WITHIN DIMENSIONS		

DIMENSION STYLE		MM/IN
DRAWN BY	DATE	
CHECKED BY	DATE	
APPROVED BY	DATE	
MATERIAL NO.	SEE SHEET 1	

SCALE	DESIGN UNITS	THIRD ANGLE PROJECTION
	METRIC	
TITLE		
MICRO COAXIAL CONNECTOR RECEPTACLE VERTICAL EWR-4537		
MOLEX INCORPORATED		
DOCUMENT NO.	SHEET NO.	
SD-73412-011	2 OF 2	
THIS DRAWING CONTAINS INFORMATION THAT IS PROPRIETARY TO MOLEX INCORPORATED AND SHOULD NOT BE USED WITHOUT WRITTEN PERMISSION		