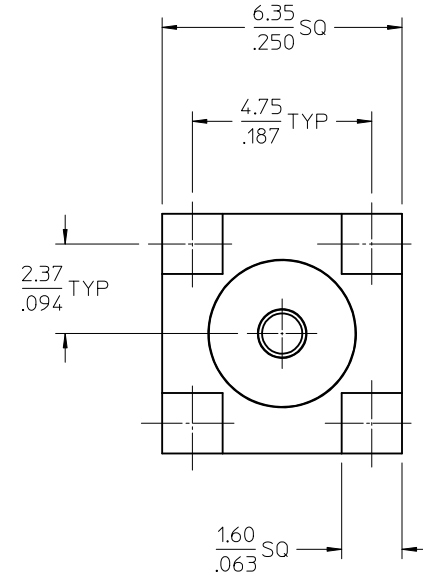
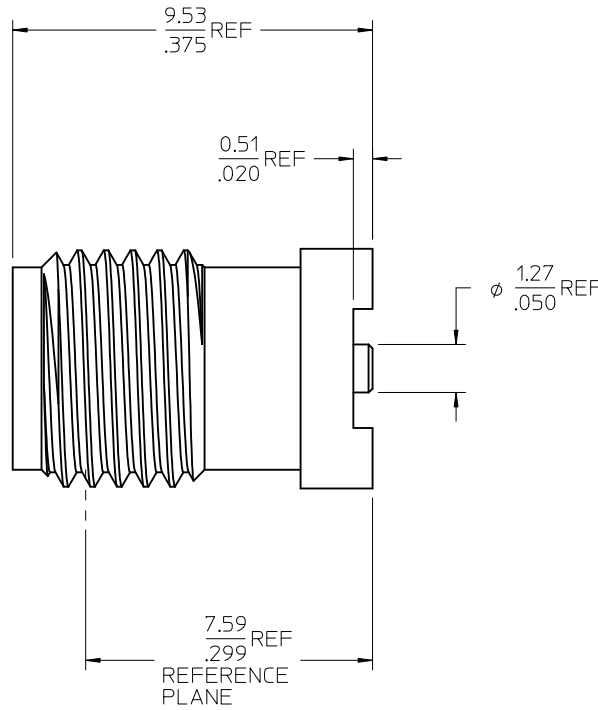
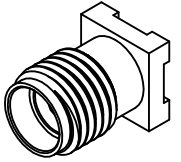


MATERIALS & FINISHES

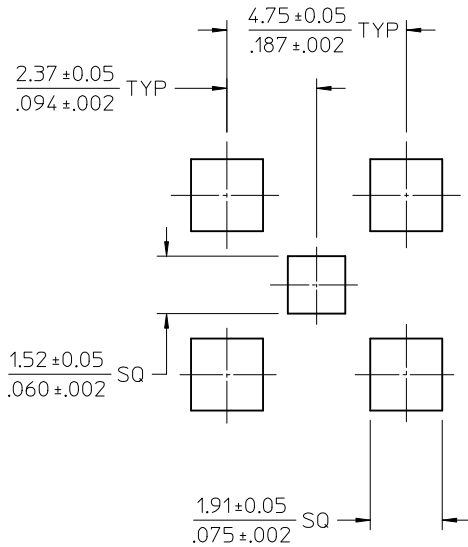
BODY: BRASS  
PLATED: SEE TABLE

CONTACT: BERYLLIUM COPPER  
PLATED: GOLD

INSULATOR: TEFLON



PCB LAYOUT



73251-1354	TAPE & REEL (400 PCS / REEL) BODY NICKEL
73251-1353	TRAY PACK / BODY NICKEL
73251-1352	ONE PIECE 73251-1350 PER BAG / BODY GOLD
73251-1351	TAPE & REEL (400 PCS / REEL) / BODY GOLD
73251-1350	TRAY PACK / BODY GOLD
PART NO.	DESCRIPTION

MIL-STD-348A, FIG. 310.2	INTERFACE
SPECIFICATION	DESCRIPTION

CHG: CLARIFIED BAGGING. EC NO: URF2010-0369 DRW: ARROBERTSON 2009/12/18 CHKD: SSS 2009/12/18 APPR: JWIENER 2009/12/18	QUALITY SYMBOLS
	▼=0 ▽=0
	DESCRIPTION
	REV: B5

GENERAL TOLERANCES (UNLESS SPECIFIED)															
<table border="1"> <tr> <th></th> <th>mm</th> <th>INCH</th> </tr> <tr> <td>4 PLACES</td> <td>± .005</td> <td>± .0002</td> </tr> <tr> <td>3 PLACES</td> <td>± .004</td> <td>± .00015</td> </tr> <tr> <td>2 PLACES</td> <td>± .003</td> <td>± .0001</td> </tr> <tr> <td>1 PLACE</td> <td>± .002</td> <td>± .00008</td> </tr> </table>		mm	INCH	4 PLACES	± .005	± .0002	3 PLACES	± .004	± .00015	2 PLACES	± .003	± .0001	1 PLACE	± .002	± .00008
	mm	INCH													
4 PLACES	± .005	± .0002													
3 PLACES	± .004	± .00015													
2 PLACES	± .003	± .0001													
1 PLACE	± .002	± .00008													
ANGULAR ± 2°															
DRAFT WHERE APPLICABLE MUST REMAIN WITHIN DIMENSIONS															

DIMENSION STYLE	MM/IN
SCALE	
DESIGN UNITS	METRIC
THIRD ANGLE PROJECTION	
DRAWN BY	SSS
DATE	2000/05/16
CHECKED BY	TEF
DATE	2000/05/16
APPROVED BY	GMH
DATE	2000/05/16
MATERIAL NO.	SEE TABLE
DOCUMENT NO.	SD-73251-135
SHEET NO.	1 OF 1

SMA, JACK VERTICAL PCB SMT SMA-J/PCB, EWR-2107	
MOLEX INCORPORATED	
THIS DRAWING CONTAINS INFORMATION THAT IS PROPRIETARY TO MOLEX INCORPORATED AND SHOULD NOT BE USED WITHOUT WRITTEN PERMISSION	