

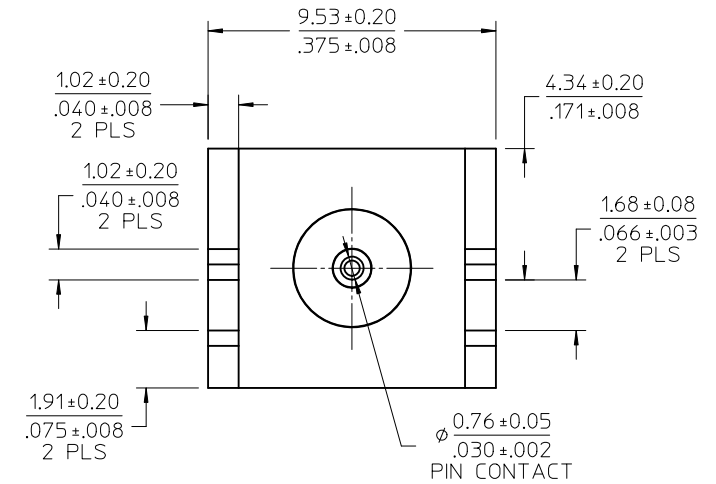
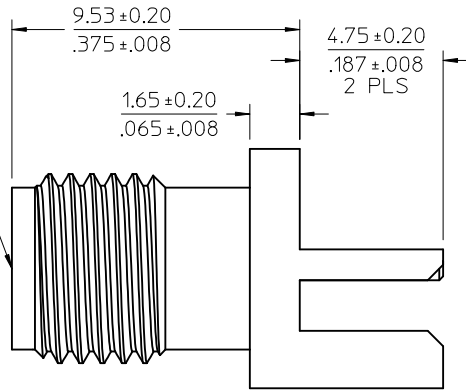
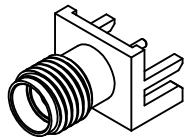
MATERIALS AND FINISHES

BODY BRASS  
PLATED GOLD

CENTER CONTACT BERYLLIUM COPPER  
PLATED GOLD

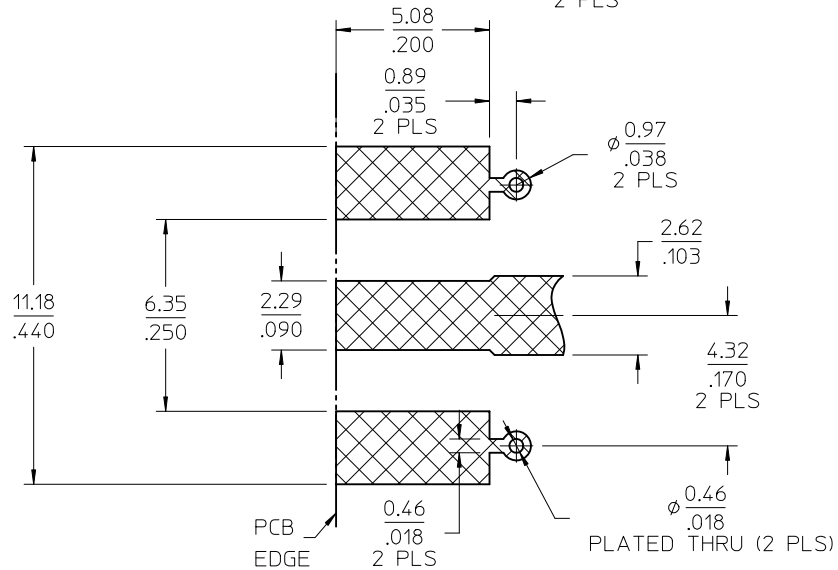
INSULATOR TEFLON

SMA JACK  
INTERFACE



RECOMMENDED MOUNTING PAD

BASE WIDTH: 9.53(.375)  
BOARD THICKNESS: 1.57(.062)  
BOARD MATERIAL: FR4 W/28 g(1.0 OZ) COPPER  
ON BOTTOM (GROUND) SIDE



73251-1152	TRAY (20 PIECES)
73251-1151	ONE PIECE 73251-1150 PER BAG
73251-1150	TRAY (80 PIECES)
PART NO.	PACKAGING

PS-89675-2820	ELEC/MECH PERFORMANCE
MIL-STD-348A, FIG. 310.2	INTERFACE
SPECIFICATION	DESCRIPTION

<p>CHG: CLARIFIED BAGGING.</p> <p>EC NO: URF2010-0369</p> <p>DRWN:ROBERTSON 2009/12/18</p> <p>CHKD:SSS 2009/12/18</p> <p>APPR:WIENER 2009/12/18</p> <p>REV: A5</p>	<p>QUALITY SYMBOLS</p> <p>▽=0</p> <p>▽=0</p>	<p>GENERAL TOLERANCES (UNLESS SPECIFIED)</p> <table border="1"> <tr> <th></th> <th>mm</th> <th>INCH</th> </tr> <tr> <td>4 PLACES</td> <td>± .005</td> <td>± .0002</td> </tr> <tr> <td>3 PLACES</td> <td>± .004</td> <td>± .00015</td> </tr> <tr> <td>2 PLACES</td> <td>± .003</td> <td>± .0001</td> </tr> <tr> <td>1 PLACE</td> <td>± .002</td> <td>± .000075</td> </tr> </table> <p>ANGULAR ± 2 °</p>		mm	INCH	4 PLACES	± .005	± .0002	3 PLACES	± .004	± .00015	2 PLACES	± .003	± .0001	1 PLACE	± .002	± .000075	<p>DIMENSION STYLE</p> <p>MM/IN</p>	<p>SCALE</p> <p>DESIGN UNITS</p> <p>METRIC</p>	<p>THIRD ANGLE PROJECTION</p>
				mm	INCH															
			4 PLACES	± .005	± .0002															
			3 PLACES	± .004	± .00015															
2 PLACES	± .003	± .0001																		
1 PLACE	± .002	± .000075																		
<p>DRAFT WHERE APPLICABLE MUST REMAIN WITHIN DIMENSIONS</p>		<p>DRAWN BY</p> <p>TEF</p> <p>DATE</p> <p>2002/06/27</p>	<p>TITLE</p> <p>SMA JACK, EDGE MOUNT</p> <p>50 OHMS, EWR-1764</p> <p>SMA-J/PCB</p>																	
		<p>CHECKED BY</p> <p>SSS</p> <p>DATE</p> <p>2002/06/27</p>	<p>APPROVED BY</p> <p>GMH</p> <p>DATE</p> <p>2002/06/27</p>	<p>MATERIAL NO.</p> <p>SEE TABLE</p>	<p>DOCUMENT NO.</p> <p>SD-73251-115</p>															
		<p>THIS DRAWING CONTAINS INFORMATION THAT IS PROPRIETARY TO MOLEX INCORPORATED AND SHOULD NOT BE USED WITHOUT WRITTEN PERMISSION</p>		<p>SHEET NO.</p> <p>1 OF 1</p>																