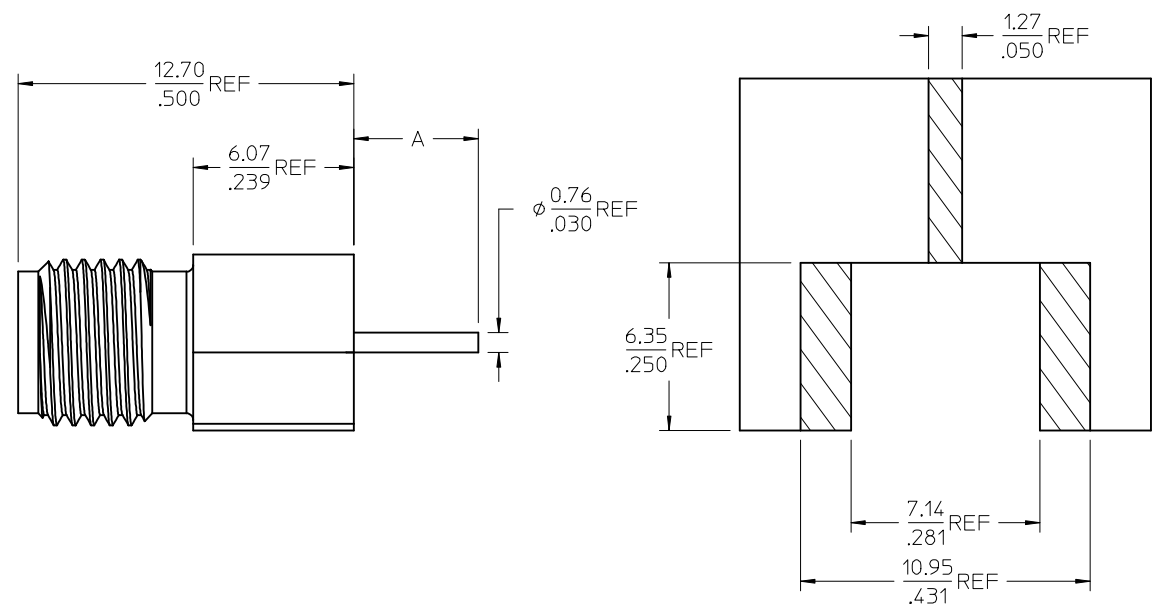
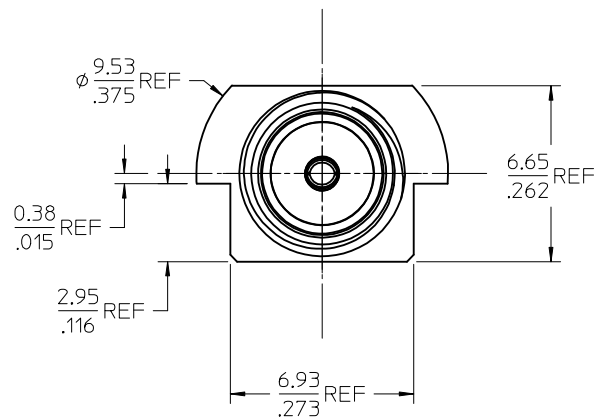
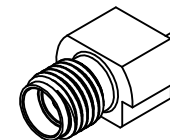


MATERIALS AND FINISHES

BODY: BRASS  
PLATED GOLD (SEE TABLE)

INSULATOR: TEFLON

CONTACT: BERYLLIUM COPPER  
PLATED GOLD (SEE TABLE)



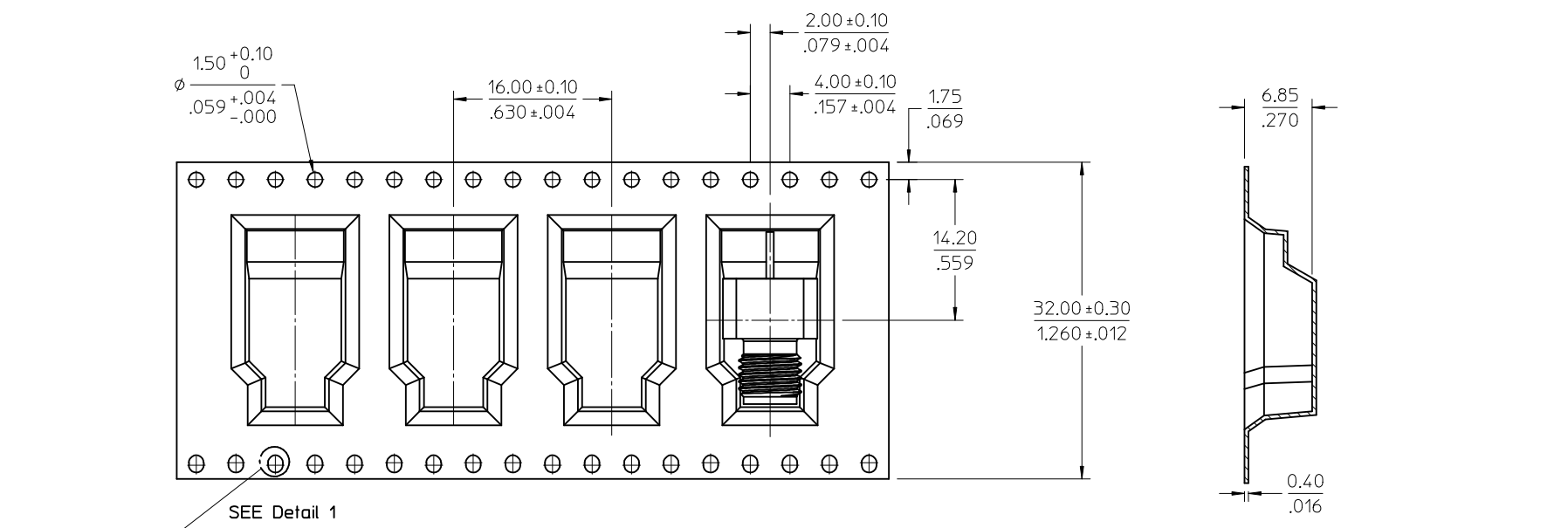
RECOMMENDED  
PCB LAYOUT

73251-1143	.187	4.75	GOLD FLASH	GOLD 5μ"	TAPE & REEL
73251-1142	.187	4.75	GOLD FLASH	GOLD 5μ"	TRAY
73251-1141	.075	1.91	GOLD	GOLD	TRAY
73251-1140	.187	4.75	GOLD	GOLD	TRAY
PART NO.	IN	MM	BODY PLATING	CONTACT PLATING	PACKAGING
DIM X	A				

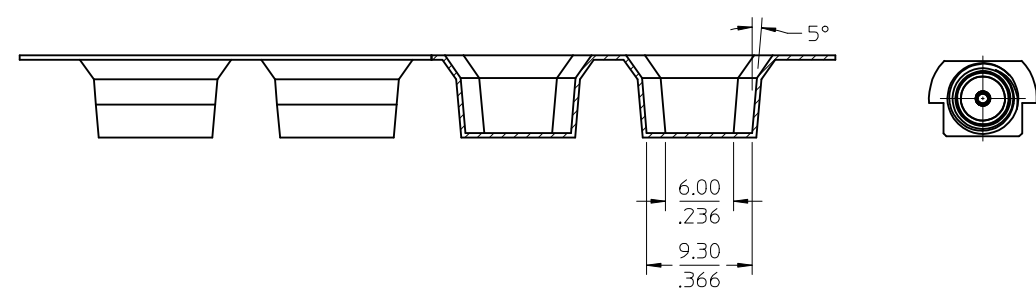
MIL-STD-348A, FIG. 310.2	INTERFACE
SPECIFICATION	DESCRIPTION

CHG: ADDED -1143 PER PDR12081151 EC NO: URF2013-0155 DRWING: WE102 2012/08/29 CHKD: APPR: MHUANG 2012/09/19	QUALITY SYMBOLS ∇=0 ∇=0 ∇=0	GENERAL TOLERANCES (UNLESS SPECIFIED)		DIMENSION STYLE MM/IN		SCALE	DESIGN UNITS METRIC	THIRD ANGLE PROJECTION																		
		<table border="1"> <tr> <th></th> <th>mm</th> <th>INCH</th> </tr> <tr> <td>4 PLACES</td> <td>± .005</td> <td>± .0005</td> </tr> <tr> <td>3 PLACES</td> <td>± .005</td> <td>± .0005</td> </tr> <tr> <td>2 PLACES</td> <td>± .005</td> <td>± .0005</td> </tr> <tr> <td>1 PLACE</td> <td>± .005</td> <td>± .0005</td> </tr> <tr> <td>0 PLACE</td> <td>± .005</td> <td>± .0005</td> </tr> </table>			mm	INCH	4 PLACES	± .005	± .0005	3 PLACES	± .005	± .0005	2 PLACES	± .005	± .0005	1 PLACE	± .005	± .0005	0 PLACE	± .005	± .0005	DRAWN BY DATE LMB 2000/09/22		TITLE		
			mm	INCH																						
		4 PLACES	± .005	± .0005																						
3 PLACES	± .005	± .0005																								
2 PLACES	± .005	± .0005																								
1 PLACE	± .005	± .0005																								
0 PLACE	± .005	± .0005																								
ANGULAR ±1/2° DRAFT WHERE APPLICABLE MUST REMAIN WITHIN DIMENSIONS		CHECKED BY DATE TER 2000/09/22		SMA JACK SURFACE MOUNT END LAUNCH SMA-J/PCB, EWR-3563																						
APPR: MHUANG 2012/09/19 A3		APPROVED BY DATE GMH 2000/09/22		MATERIAL NO. SEE TABLE			DOCUMENT NO. SD-73251-114	SHEET NO. 1 OF 3																		

THIS DRAWING CONTAINS INFORMATION THAT IS PROPRIETARY TO MOLEX INCORPORATED AND SHOULD NOT BE USED WITHOUT WRITTEN PERMISSION

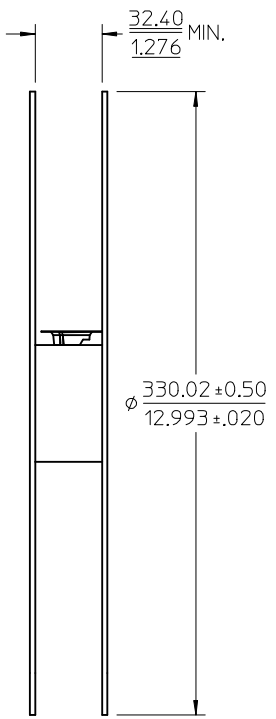


PART # 73251-1143 ONLY

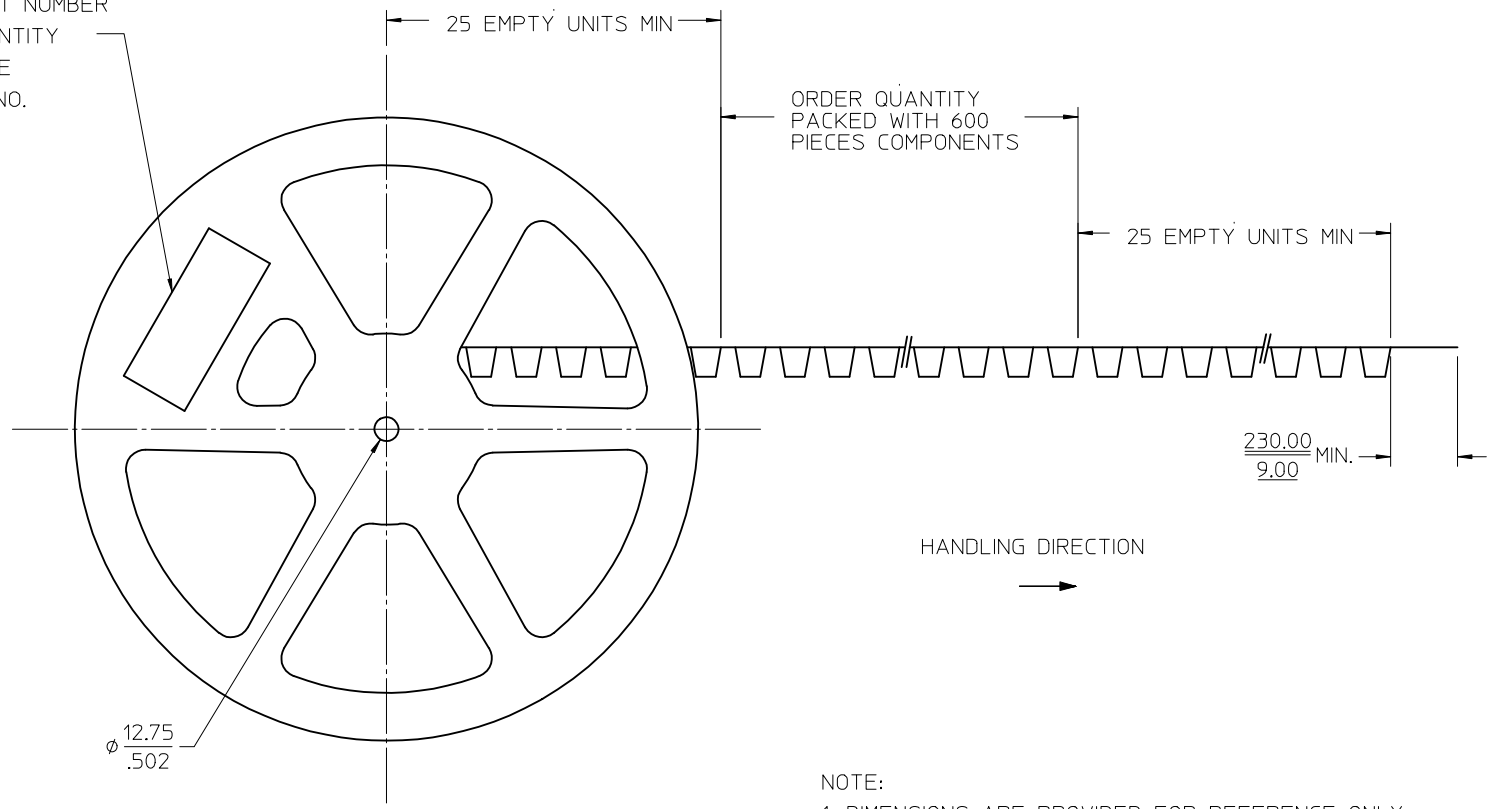


NOTE:  
MATERIAL: PS BLACK-THICKNESS: 0.40±0.05MM

73251-1143 PACKAGE PER PDR12081151 EC NO: URF2013-0155 DRWN:WE102 2012/08/29 CHKD: APPR:MHUANG 2012/09/19	QUALITY SYMBOLS	GENERAL TOLERANCES (UNLESS SPECIFIED)	DIMENSION STYLE	SCALE	DESIGN UNITS	THIRD ANGLE PROJECTION
	▽=0	mm INCH	MM/IN	METRIC		
	▽=0	4 PLACES ± --- ± ---	DRAWN BY DATE	TITLE		
	▽=0	3 PLACES ± --- ± ---	LMB 2000/09/22	SMA JACK SURFACE MOUNT END LAUNCH SMA-J/PCB, EWR-3563		
	2 PLACES ± --- ± ---	CHECKED BY DATE				
	1 PLACE ± --- ± ---	TER 2000/09/22				
	0 PLACE ± --- ± ---	APPROVED BY DATE				
		GMH 2000/09/22				
		MATERIAL NO.	SEE SHEET 1	DOCUMENT NO.	SD-73251-114	SHEET NO. 2 OF 3
		ANGULAR ±1/2°				
		DRAFT WHERE APPLICABLE MUST REMAIN WITHIN DIMENSIONS				
			SIZE C	THIS DRAWING CONTAINS INFORMATION THAT IS PROPRIETARY TO MOLEX INCORPORATED AND SHOULD NOT BE USED WITHOUT WRITTEN PERMISSION		



LABEL  
 - PART NUMBER  
 - QUANTITY  
 - DATE  
 - PO NO.



NOTE:  
 1. DIMENSIONS ARE PROVIDED FOR REFERENCE ONLY  
 2. COMPONENT LOAD PER 13" REEL: 600 PCS

A	B	SEE SHEET 2 IEC NO: URF2013-0155 DRWN: CME102 2012/08/29 CHKD: APPR: MLIANG 2012/09/19	QUALITY SYMBOLS	GENERAL TOLERANCES (UNLESS SPECIFIED)	DIMENSION STYLE	SCALE	DESIGN UNITS	THIRD ANGLE PROJECTION
			▽=0 ▽=0 ▽=0	mm INCH 4 PLACES ± --- ± --- 3 PLACES ± --- ± --- 2 PLACES ± --- ± --- 1 PLACE ± --- ± --- 0 PLACE ± --- ± ---	MM/IN	METRIC	DRAWN BY DATE LMB 2000/09/22 CHECKED BY DATE TER 2000/09/22 APPROVED BY DATE GMH 2000/09/22	TITLE SMA JACK SURFACE MOUNT END LAUNCH SMA-J/PCB, EWR-3563 <b>molex</b>
		A3	DESCRIPTION	ANGULAR ±1/2°	SEE SHEET 1	DOCUMENT NO.	SD-73251-114	SHEET NO. 3 OF 3
DRAFT WHERE APPLICABLE MUST REMAIN WITHIN DIMENSIONS				THIS DRAWING CONTAINS INFORMATION THAT IS PROPRIETARY TO MOLEX INCORPORATED AND SHOULD NOT BE USED WITHOUT WRITTEN PERMISSION				