

3.7 Digital Input Module SM 321; DI 16 x VDC 24; (6ES7321-1BH02-0AA0)

Order number: “Standard module”

6ES7321-1BH02-0AA0

Order number: SIPLUS S7-300 module

6AG1321-1BH02-2AA0

Characteristics

The digital input module SM 321; DI 16 x 24 VDC has the following salient features:

- 16 inputs, isolated in groups of 16
- 24 VDC rated input voltage
- Suitable for switches and two / three / four-wire BEROs (proximity switches).

Terminal assignment and block diagram of the SM 321; DI 16 x 24 VDC

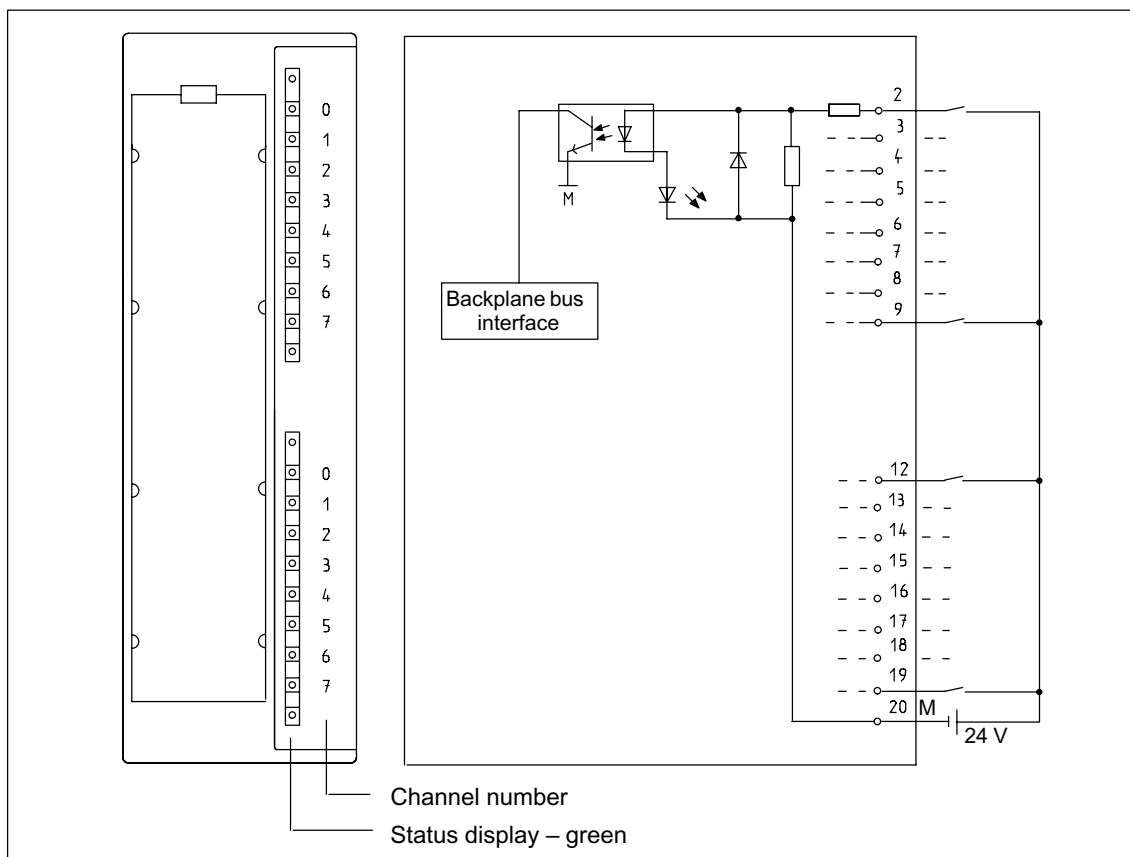


Figure 3-4 Module View and Block Diagram of Digital Input Module SM 321; DI 16 x 24VDC

Technical specifications of the SM 321; DI 16 x 24 VDC

Dimensions and Weight		Data for Selecting a Sensor	
Dimensions W x H x D (in millimeters)	40 x 125 x 117	Input voltage	
Weight	Approx. 200 g	<ul style="list-style-type: none"> Rated value For signal "1" For signal "0" 	24 VDC 13 to 30 V -30 to + 5 V
Data for Specific Module		Input current	
Supports clocked operation	No	<ul style="list-style-type: none"> At signal "1" 	typ. 7 mA
Number of inputs	16	Input delay	
Length of cable		<ul style="list-style-type: none"> At "0" to "1" At "1" to "0" 	1.2 to 4.8 ms 1.2 to 4.8 ms
<ul style="list-style-type: none"> Unshielded Shielded 	max. 600 m max. 1000 m	Input characteristic curve	According to IEC 61131, type 1
Voltages, Currents, Potentials		Connection of Two-Wire BEROs	Possible
Number of inputs that can be triggered simultaneously		<ul style="list-style-type: none"> Permitted bias current 	max. 1.5 mA
<ul style="list-style-type: none"> Horizontal configuration Vertical configuration 	Up to 60 °C Up to 40 °C		
Isolation			
<ul style="list-style-type: none"> Between channels and backplane bus 	Yes		
Permitted potential difference			
<ul style="list-style-type: none"> Between the different circuits 	75 VDC / 60 VAC		
Insulation tested with	500 VDC		
Current consumption			
<ul style="list-style-type: none"> From the backplane bus 	max. 10 mA		
Power dissipation of the module	typ. 3.5 W		
Status, Interrupts, Diagnostics			
Status display	Green LED per channel		
Interrupts	None		
Diagnostic functions	None		