

Tous droits strictement reserves. Reproduction ou communication a des tiers interdite sous quelque forme que ce soit sans autorisation ecrite du proprietaire. Propriete de c FCI. Droits de reproduction FCI.

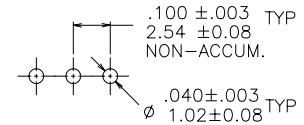
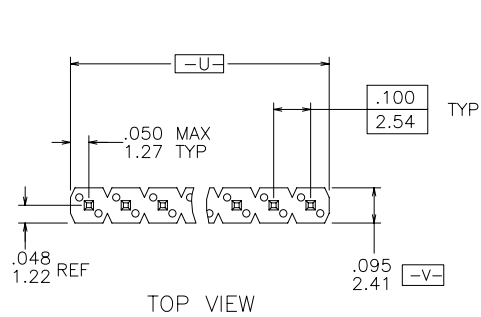
FCI

All rights strictly reserved. Reproduction or issue to third parties in any form whatever is not permitted without written authority from the proprietor. Property of FCI. Copyright FCI.

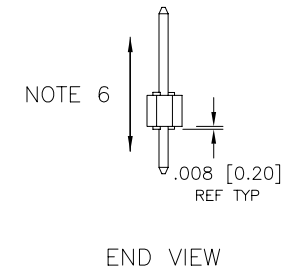
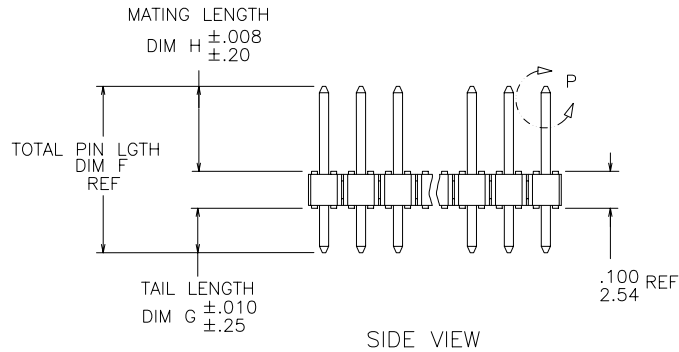
PRODUCT NUMBER

XXXXX-YYYHTLF

- LEAD FREE OPTION (SEE NOTES 1)
- PACKAGING OPTIONS (SEE NOTE 1)
- HIGH TEMPERATURE PLASTIC (SEE NOTE 1)
- NO OF POSITIONS (SEE NOTE 1)
- PIN PLATING (SEE SHEET 2)
- BASE PART NO.

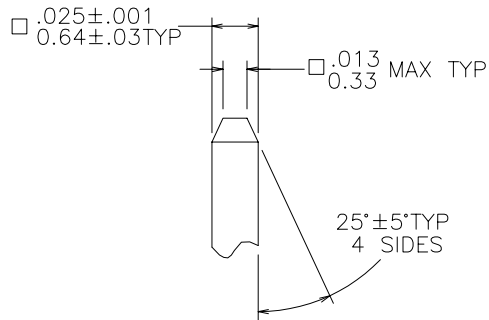


RECOMMENDED HOLE PATTERN



⊕ ∅.020/.51 (M) U (M) V (S)

NOTE 4



DETAIL P
TYP BOTH ENDS

| | | | | | | | | | |
|-------------|----------------|---------------------------------------|----------|--------|----------------------|---------------|----|-------------------------------|----|
| mat'l. code | | tolerances unless otherwise specified | | | | CUSTOMER COPY | | FCI www.fciconnect.com | |
| NOTES 2 & 3 | | | | | | | | title | |
| ltr | ecn no | dr | date | linear | .xx±.01/.x±.3 | projection | | BERGSTIK® II HEADER | |
| CE | V11181 | DAI | 04/12/01 | | .xxx±.005/.xx±.13 | INCH/MM | | .100/2.54cc SR STRAIGHT | |
| CF | V20585 | GIP | 03/21/02 | | .xxx±.0020/.xxx±.051 | scale | | product family BERGSTIK | |
| CG | V20790 | GIP | 04/23/02 | angles | 0°±2' | 1:1 | | size dwg no | |
| CH | V21800 | TAB | 12/16/02 | dr | T.BREWBAKER 01/05/95 | | | code | |
| CJ | M04-0234 | MHT | 12/29/04 | enrg | T.HANNA 01/05/95 | | | 213 | |
| CK | M05-0072 | MHT | 5/03/05 | chr | T.HANNA 01/05/95 | | | sheet | |
| CL | M06-0039 | MHT | 1/18/06 | appd | T.HANNA 01/05/95 | | | 1 of 8 | |
| sheet index | revision sheet | CL | CL | CL | CL | CL | CL | CL | CL |
| | | 1 | 2 | 3 | 4 | 5 | 6 | 7 | 8 |

cage code
22526

ACAD

PDM: Rev:CL

STATUS:Released

Printed: Feb 09, 2006

Tous droits strictement reserves. Reproduction ou communication a des tiers interdite sous quelque forme que ce soit sans autorisation ecrite du proprietaire. Propriete de c FCI. Droits de reproduction FCI.



All rights strictly reserved. Reproduction or issue to third parties in any form whatever is not permitted without written authority from the proprietor. Property of FCI. Copyright FCI.

| PIN PLATING CODES: | |
|--------------------|---|
| XXXX-1YY | 30u"/0.76u MIN (SEE NOTE 13) OVER 50u"/1.27u MIN Ni |
| XXXX-2YY | 15u"/0.38u MIN (SEE NOTE 13) OVER 50u"/1.27u MIN Ni |
| XXXX-3YY | 50u"/1.27u MIN Au OVER 50u"/1.27u MIN Ni |
| XXXX-4YY | TIN LEAD OPTION 120u"/3.05u MIN 93/7 SnPb OVER 50u"/1.27u MIN Ni |
| | LF OPTION 100u"/2.54u MIN Sn OVER 50u"/1.27u MIN Ni (SEE NOTE 1,14) |
| XXXX-5YY | 15u"/0.38u MIN (SEE NOTE 13) OVER 50u"/1.27u MIN Ni |
| XXXX-6YY | 30u"/0.76u MIN (SEE NOTE 13) OVER 50u"/1.27u MIN Ni |
| XXXX-7YY | 30u"/0.76u MIN Au OVER 50u"/1.27u MIN Ni |
| XXXX-8YY | 15u"/0.38u MIN Au OVER 50u"/1.27u MIN Ni |
| XXXX-9YY | 15u"/0.38u MIN GXT OVER 50u"/1.27u MIN Ni |
| XXXX-0YY | 30u"/0.76u MIN GXT OVER 50u"/1.27u MIN Ni |

NOTES

1. PART NUMBER OPTIONS:

PIN PLATING CODES (SEE ABOVE)

HIGH TEMP. MATERIAL:

FOR HIGH-TEMPERATURE APPLICATIONS, SPECIFY AN "H" AT THE END OF THE PART NUMBER.

NUMBER OF POSITIONS :

ANY NUMBER OF POSITIONS FROM 1 THRU 36.
 -X00H INDICATES BERGSTRIIP PRODUCT. SEE PAGE 3 FOR SPECIAL GEOMETRY OF THIS CONTINUOUS STRIP PRODUCT.
 AUTOMATED REELS WILL CONTAIN 36,000 PINS.
 SEE SPECIFIC PART NUMBERS FOR AVAILABILITY.

PACKAGING :

NO INDICATOR IS STANDARD PACKAGING IN POLY BAGS.
 EIGHT DIGIT PART NUMBERS FOLLOWED BY A "T" ARE PACKAGED IN TUBES. SEE SPECIFIC PART NUMBERS FOR AVAILABILITY.
 EIGHT DIGIT PART NUMBERS FOLLOWED BY A "C" ARE PACKAGED IN TUBES WITH PICKUP CAP APPLIED. (NOT TOOLED)

BERGSTRIIP™ PART NUMBERS FOLLOWED BY A "B" ARE BULK PRICED.

LEAD FREE :

ADD "HLF" SUFFIX AT THE END OF PART NUMBER FOR LEAD FREE OPTION, NOT AVAILABLE FOR -5YY, -5YYH, -6YY & -6YYH

- 2. BODY MATERIAL :
 BERGSTIK: MANUFACTURER'S OPTION OF NYLON OR PCT, GLASS FIBER REINFORCED, FLAME RETARDENT PER UL-94V-0. COLOR : BLACK
 BERGSTRIIP™: PRODUCED WITH HIGH TEMPERATURE LCP THERMOPLASTIC, FLAME RETARDENT PER UL-94V-0. COLOR : BLACK
 PART NUMBERS WITH "H" SUFFIX WILL WITHSTAND EXPOSURE TO 260°C PEAK TEMPERATURE FOR 20 SECONDS IN WAVE SOLDER, INFRA-RED OR VAPOR PHASE SOLDER PROCESS.
 PART NUMBERS WITHOUT "H" SUFFIX WILL WITHSTAND EXPOSURE TO 260°C PEAK TEMPERATURE FOR WAVE SOLDER PROCESS.
- 3. PIN MATERIAL : PHOS-BRONZE.
- 4. MEASURED WITH PART IN RESTRAINED CONDITION.
- 5. TWO SIDES OF PIN TIPS NOT PLATED. TYPICAL BOTH ENDS.
- 6. 2LBS/0.9KG MIN PIN RETENTION IN EITHER DIRECTION.
- 7. PIN CANNOT PROTRUDE PAST EDGE OF HOUSING. MUST BE .005±.005/.13±.13 FROM END OF HOUSING HOLE.
- 8. MILITARY BERGSTIK HEADER
 P/N XXXXX-XY-MIL.
 NOT AVAILABLE.
- 9. ±.010/0.25 TOL APPLIES TO ALL "G" TAILS EXCEPT INDICATED PARTS ON TABLE WHERE +.010/0.25 -.000/0.00 APPLIES.
- 10. INDICATED PART NUMBERS ARE PRODUCED AND SOLD IN THE TAIWAN/SINGAPORE AREAS. THESE ARE NOT AVAILABLE IN BERGSTRIIP™ CONTINUOUS STRIP.
- 11. NOTCH CONFIGURATION WILL VARY PER VENDOR'S DISCRETION.
- 12. THESE PRODUCTS MEETS EUROPEAN UNION DIRECTIVES AND OTHER COUNTRY REGULATION AS DESCRIBED IN GS-22-008.
- 13. PLATING OPTIONS:
 MAY BE EITHER GOLD OR GXT PLATED AT MANUFACTURER'S OPTION.
- 14. "THIS PRODUCT HAS 100% TIN PLATING IN THE INTERFACE AND HAS NOT BEEN TESTED FOR WHISKER GROWTH IN ALL INTERCONNECT ENVIRONMENTS."

| | | | | | | | |
|-------------|----------------|---------------------------------------|-------------|----------------------|---------|-------------------------|-------------------------|
| mat'l. code | | tolerances unless otherwise specified | | CUSTOMER COPY | | www.fciconnect.com | |
| NOTES 2 & 3 | | | | linear | | projection | |
| ltr | ecn no | dr | date | .xx±.01/.xx±.3 | | title | |
| CL | | | | .xxx±.005/.xx±.13 | | BERGSTIK® II HEADER | |
| | | | | .xxx±.0020/.xxx±.051 | | .100/2.54cc SR STRAIGHT | |
| | | | | angles 0'±2' | | | |
| | | dr | T.BREWBAKER | 01/05/95 | INCH/MM | | product family BERGSTIK |
| | | engr | T.HANNA | 01/05/95 | scale | | code 213 |
| | | chr | T.HANNA | 01/05/95 | 1:1 | | size/ dwg no |
| | | appd | T.HANNA | 01/05/95 | | | A 68000 |
| sheet index | revision sheet | | | | | | sheet 2 of 8 |

Tous droits strictement reserves. Reproduction ou communication a des tiers interdite sous quelque forme que ce soit sans autorisation ecrite du proprietaire. Propriete de c FCI. Droits de reproduction FCI.

All rights strictly reserved. Reproduction or issue to third parties in any form whatever is not permitted without written authority from the proprietor. Property of FCI. Copyright FCI.

FCI

B

ACAD

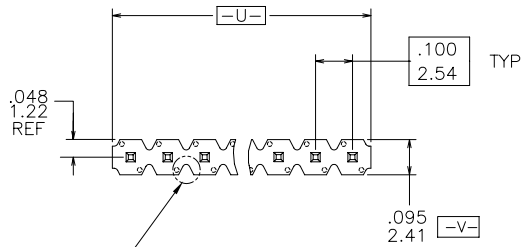
1 | 2

3

4

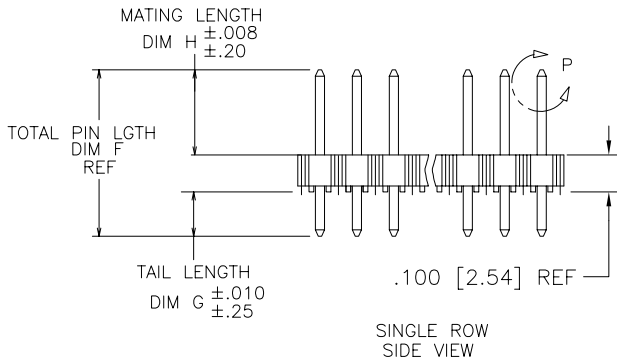
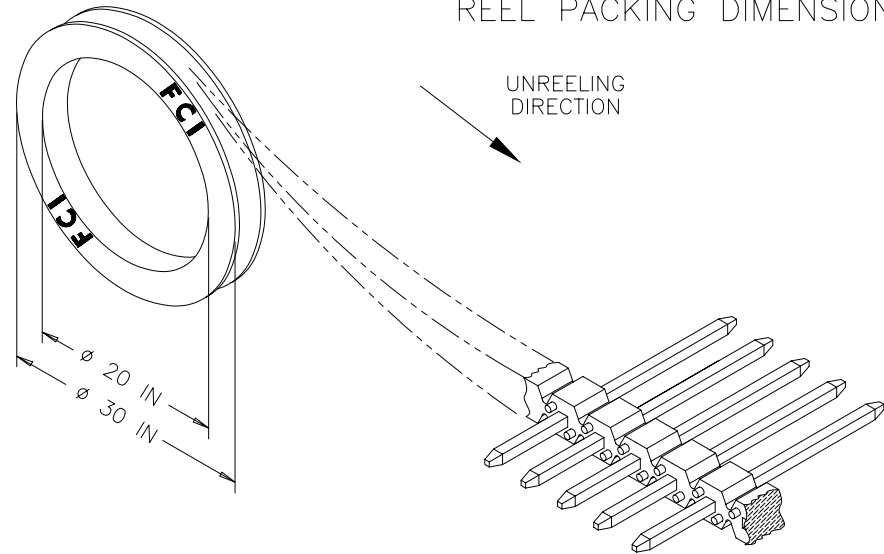
BERGSTRIK™ HEADER

REEL PACKING DIMENSIONS



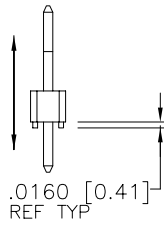
NOTE 11

SINGLE ROW TOP VIEW



SINGLE ROW SIDE VIEW

NOTE 6



SINGLE ROW END VIEW

| | | | | | | | | |
|----------------------------|----------------|------|-------------|--|-----------------------|------------------|-------------------------------|------------------------------|
| mat'l. code NOTES 2 & 3 | | | | tolerances unless otherwise specified | | CUSTOMER COPY | FCI www.fciconnect.com | |
| ltr | ecn no | dr | date | linear | .xxx±.01/.X±.3 | | projection | title BERGSTIK® II HEADER |
| CL | | | | | .xxx±.005/.XX±.13 | INCH/MM | | .100/2.54cc SR STRAIGHT |
| | | | | angles | .xxxx±.0020/.xxx±.051 | | | product family |
| | | dr | T.BREWBAKER | 01/05/95 | σ±2' | | code | 213 |
| | | enr | T.HANNA | 01/05/95 | | | size | dwg no |
| | | chr | T.HANNA | 01/05/95 | | scale | A | 68000 |
| | | appd | T.HANNA | 01/05/95 | | 1:1 | | sheet |
| sheet index | revision sheet | | | | | | | 3 of 8 |

1 | 2

3

4

ACAD

PDM: Rev:CL

STATUS: Released

Printed: Feb 09, 2006


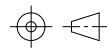
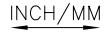
cage code
22526

| PRODUCT NUMBER | TOTAL PIN LGTH | | TAIL LENGTH | | MATING LENGTH | | PACKAGING | NOTES | BERGSTRIK™ | LF OPTION |
|----------------|----------------|--------|-------------|--------|---------------|--------|-----------------|-------|------------|--------------|
| | DIM F | DIM F | DIM G | DIM G | DIM H | DIM H | | | AVAILABLE | |
| | ENGLISH | METRIC | ENGLISH | METRIC | ENGLISH | METRIC | | | | |
| 55492-XYH | 0.315 | 8.00 | 0.095 | 2.41 | 0.120 | 3.05 | POLY BAGS | - | NO | NOTE 1,12 |
| 60017-XYH | 0.640 | 16.26 | 0.210 | 5.33 | 0.310 | 7.87 | POLY BAGS | - | NO | |
| 60018-XYH | 0.660 | 16.76 | 0.250 | 6.35 | 0.310 | 7.87 | POLY BAGS | - | NO | |
| 63334-XYH | 0.435 | 11.05 | 0.095 | 2.41 | 0.240 | 6.10 | POLY BAGS | - | NO | |
| 68000-YYY | 0.425 | 10.80 | 0.095 | 2.41 | 0.230 | 5.84 | POLY BAGS | - | YES | |
| 68001-YYY | 0.450 | 11.43 | 0.120 | 3.05 | 0.230 | 5.84 | POLY BAGS/TUBES | - | YES | |
| 68002-YYY | 0.480 | 12.19 | 0.150 | 3.81 | 0.230 | 5.84 | POLY BAGS | - | YES | |
| 68003-YYY | 0.525 | 13.34 | 0.195 | 4.95 | 0.230 | 5.84 | POLY BAGS | - | NO | |
| 68004-YYY | 0.525 | 13.34 | 0.107 | 2.72 | 0.318 | 8.08 | POLY BAGS | - | YES | |
| 68024-YYY | 0.568 | 14.43 | 0.150 | 3.81 | 0.318 | 8.08 | POLY BAGS | - | YES | |
| 68031-YYY | 0.513 | 13.03 | 0.183 | 4.65 | 0.230 | 5.84 | POLY BAGS | - | NO | |
| 68032-YYY | 0.543 | 13.79 | 0.213 | 5.41 | 0.230 | 5.84 | POLY BAGS | - | NO | |
| 68033-YYY | 0.708 | 17.98 | 0.473 | 12.01 | 0.135 | 3.43 | POLY BAGS | - | NO | |
| 68415-YYY | 0.615 | 15.62 | 0.115 | 2.92 | 0.400 | 10.16 | POLY BAGS | - | NO | |
| 68416-YYY | 0.813 | 20.65 | 0.483 | 12.27 | 0.230 | 5.84 | POLY BAGS | - | NO | |
| 68418-YYY | 0.730 | 18.54 | 0.400 | 10.16 | 0.230 | 5.84 | POLY BAGS | - | NO | |
| 68422-YYY | 0.631 | 16.03 | 0.213 | 5.41 | 0.318 | 8.08 | POLY BAGS | - | NO | |
| 68443-YYY | 0.755 | 19.18 | 0.425 | 10.80 | 0.230 | 5.84 | POLY BAGS | - | NO | |
| 68456-YYY | 0.825 | 20.96 | 0.115 | 2.92 | 0.610 | 15.49 | POLY BAGS | - | NO | |
| 68457-YYY | 0.548 | 13.92 | 0.130 | 3.30 | 0.318 | 8.08 | POLY BAGS | - | NO | |
| 68465-YYY | 0.925 | 23.50 | 0.595 | 15.11 | 0.230 | 5.84 | POLY BAGS | - | NO | |
| 68466-YYY | 0.925 | 23.50 | 0.128 | 3.25 | 0.697 | 17.70 | POLY BAGS | - | NO | |
| 68472-YYY | 0.913 | 23.19 | 0.413 | 10.49 | 0.400 | 10.16 | POLY BAGS | - | NO | |
| 68479-YYY | 0.718 | 18.24 | 0.388 | 9.86 | 0.230 | 5.84 | POLY BAGS | - | NO | |
| 68483-YYY | 0.835 | 21.21 | 0.417 | 10.59 | 0.318 | 8.08 | POLY BAGS | - | NO | |
| 68487-YYY | 0.705 | 17.91 | 0.110 | 2.79 | 0.495 | 12.57 | POLY BAGS | - | NO | |
| 68489-YYY | 1.095 | 27.81 | 0.765 | 19.43 | 0.230 | 5.84 | POLY BAGS | - | NO | |
| 68490-YYY | 1.025 | 26.04 | 0.695 | 17.65 | 0.230 | 5.84 | POLY BAGS | - | NO | |
| 68497-YYY | 0.612 | 15.54 | 0.085 | 2.16 | 0.427 | 10.85 | POLY BAGS | - | NO | |
| 68603-YYY | 0.555 | 14.10 | 0.120 | 3.05 | 0.335 | 8.51 | POLY BAGS | - | NO | |
| 68604-YYY | 0.600 | 15.24 | 0.120 | 3.05 | 0.380 | 9.65 | POLY BAGS | - | NO | |

Tous droits strictement reserves. Reproduction ou communication a des tiers interdite sous quelque forme que ce soit sans autorisation ecrite du proprietaire. Propriete de c FCI. Droits de reproduction FCI.

All rights strictly reserved. Reproduction or issue to third parties in any form whatever is not permitted without written authority from the proprietor. Property of FCI. Copyright FCI.

NOTE 1,12

| | | | | | | | | | | | |
|----------------------------|----------------|----|------|---------------------------------------|-------------------|----------|-------|---|------------------------------|---|--------|
| mat'l. code NOTES 2 & 3 | | | | tolerances unless otherwise specified | | | | CUSTOMER COPY | |  www.fciconnect.com | |
| ltr | ecn no | dr | date | linear | .XX±.01/.X±.3 | | | projection  | title BERGSTIK® II HEADER | | |
| CL | | | | | .XXX±.005/.XX±.13 | | | | .100/2.54cc SR STRAIGHT | | |
| | | | | angles | σ±2' | | | INCH/MM  | product family BERGSTIK | | code |
| | | | | dr | T.BREWBAKER | 01/05/95 | scale | | A | 213 | |
| | | | | enr | T.HANNA | 01/05/95 | 1:1 | | 68000 | | sheet |
| | | | | chr | T.HANNA | 01/05/95 | | | | | 4 of 8 |
| | | | | appd | T.HANNA | 01/05/95 | | | | | |
| sheet index | revision sheet | | | | | | | | | | |

| PRODUCT NUMBER | TOTAL PIN LGTH | | TAIL LENGTH | | MATING LENGTH | | PACKAGING | NOTES | BERGSTRIPTM | LF OPTION |
|----------------|----------------|--------|-------------|--------|---------------|--------|-----------|-------|-------------|-----------|
| | DIM F | DIM F | DIM G | DIM G | DIM H | DIM H | | | AVAILABLE | |
| | ENGLISH | METRIC | ENGLISH | METRIC | ENGLISH | METRIC | | | | |
| 68629-XY | 0.621 | 15.77 | 0.203 | 5.16 | 0.318 | 8.08 | POLY BAGS | - | NO | NOTE 1,12 |
| 68630-XY | 0.603 | 15.32 | 0.273 | 6.93 | 0.230 | 5.84 | POLY BAGS | - | NO | |
| 68631-XY | 0.703 | 17.86 | 0.203 | 5.16 | 0.400 | 10.16 | POLY BAGS | - | NO | |
| 68632-XY | 0.743 | 18.87 | 0.413 | 10.49 | 0.230 | 5.84 | POLY BAGS | - | NO | |
| 68633-XY | 0.643 | 16.33 | 0.225 | 5.72 | 0.318 | 8.08 | POLY BAGS | - | NO | |
| 68634-XY | 1.013 | 25.73 | 0.683 | 17.35 | 0.230 | 5.84 | POLY BAGS | - | NO | |
| 68642-XY | 0.913 | 23.19 | 0.583 | 14.81 | 0.230 | 5.84 | POLY BAGS | - | NO | |
| 68652-XY | 1.470 | 37.34 | 0.670 | 17.02 | 0.700 | 17.78 | POLY BAGS | - | NO | |
| 68653-XY | 0.735 | 18.67 | 0.095 | 2.41 | 0.540 | 13.72 | POLY BAGS | - | NO | |
| 68654-XY | 1.050 | 26.67 | 0.670 | 17.02 | 0.280 | 7.11 | POLY BAGS | - | NO | |
| 68655-XY | 0.708 | 17.98 | 0.290 | 7.37 | 0.318 | 8.08 | POLY BAGS | - | NO | |
| 68656-XY | 1.113 | 28.27 | 0.613 | 15.57 | 0.400 | 10.16 | POLY BAGS | - | NO | |
| 68657-XY | 0.588 | 14.94 | 0.368 | 9.35 | 0.120 | 3.05 | POLY BAGS | - | NO | |
| 68658-XY | 0.820 | 20.83 | 0.130 | 3.30 | 0.590 | 14.99 | POLY BAGS | - | NO | |
| 68659-XY | 0.608 | 15.44 | 0.398 | 10.11 | 0.110 | 2.79 | POLY BAGS | - | NO | |
| 68686-XY | 1.016 | 25.81 | 0.458 | 11.63 | 0.458 | 11.63 | POLY BAGS | - | NO | |
| 68689-XY | 0.913 | 23.19 | 0.213 | 5.41 | 0.600 | 15.24 | POLY BAGS | - | NO | |
| 68705-XY | 0.395 | 10.03 | 0.095 | 2.41 | 0.200 | 5.08 | POLY BAGS | - | NO | |
| 68717-XY | 0.615 | 15.62 | 0.285 | 7.24 | 0.230 | 5.84 | POLY BAGS | - | NO | |
| 68730-XY | 0.555 | 14.10 | 0.225 | 5.72 | 0.230 | 5.84 | POLY BAGS | - | NO | |
| 68731-XY | 0.880 | 22.35 | 0.440 | 11.18 | 0.340 | 8.64 | POLY BAGS | - | NO | |
| 68735-XY | 1.016 | 25.81 | 0.520 | 13.21 | 0.396 | 10.06 | POLY BAGS | - | NO | |
| 68755-XY | 1.166 | 29.62 | 0.533 | 13.54 | 0.533 | 13.54 | POLY BAGS | - | NO | |
| 68760-XY | 0.803 | 20.40 | 0.353 | 8.97 | 0.350 | 8.89 | POLY BAGS | - | NO | |
| 68762-XY | 0.588 | 14.94 | 0.213 | 5.41 | 0.275 | 6.99 | POLY BAGS | - | NO | |
| 68771-XY | 0.470 | 11.94 | 0.100 | 2.54 | 0.270 | 6.86 | POLY BAGS | - | NO | |
| 68781-XY | 0.691 | 17.55 | 0.273 | 6.93 | 0.318 | 8.08 | POLY BAGS | - | NO | |

Tous droits strictement reserves. Reproduction ou communication a des tiers interdite sous quelque forme que ce soit sans autorisation ecrite du proprietaire. Propriete de c FCI. Droits de reproduction FCI.



All rights strictly reserved. Reproduction or issue to third parties in any form whatever is not permitted without written authority from the proprietor. Property of FCI. Copyright FCI.

| | | | | | | | | | |
|-------------|--------|----------------|------|---------------------------------------|----------------------|---------------|--|-------------------------|--|
| mat'l. code | | NOTES 2 & 3 | | tolerances unless otherwise specified | | CUSTOMER COPY | | www.fciconnect.com | |
| ltr | ecn no | dr | date | linear | .XX±.01/.X±.3 | projection | | title | |
| CL | | | | | .XXX±.005/.XX±.13 | | | BERGSTIK® II HEADER | |
| | | | | angles | .XXX±.0020/.XXX±.051 | INCH/MM | | .100/2.54cc SR STRAIGHT | |
| | | | | dr | T.BREWBAKER 01/05/95 | | | product family BERGSTIK | |
| | | | | enr | T.HANNA 01/05/95 | size | | 213 | |
| | | | | chr | T.HANNA 01/05/95 | scale | | A 68000 | |
| | | | | appd | T.HANNA 01/05/95 | 1:1 | | sheet | |
| sheet index | | revision sheet | | | | | | 5 of 8 | |

Tous droits strictement reserves. Reproduction ou communication a des tiers interdite sous quelque forme que ce soit sans autorisation ecrite du proprietaire. Propriete de c FCI. Droits de reproduction FCI.

All rights strictly reserved. Reproduction or issue to third parties in any form whatever is not permitted without written authority from the proprietor. Property of FCI. Copyright FCI.

FCI

B

A

1 | 2

3 |

4

| PRODUCT NUMBER | TOTAL PIN LGTH | | TAIL LENGTH | | MATING LENGTH | | PACKAGING | NOTES | BERGSTRIPTM | LF OPTION |
|----------------|----------------|---------------|-------------|--------|---------------|--------|-----------------|---------|-------------|-----------|
| | DIM F | DIM F | DIM G | DIM G | DIM H | DIM H | | | AVAILABLE | |
| | ENGLISH | METRIC | ENGLISH | METRIC | ENGLISH | METRIC | | | | |
| 68795-XYY | 0.500 | 12.70 | 0.062 | 1.57 | 0.338 | 8.59 | POLY BAGS | - | NO | NOTE 1,12 |
| 68796-XYY | 0.633 | 16.08 | 0.423 | 10.74 | 0.110 | 2.79 | POLY BAGS | - | NO | |
| 68797-XYY | 0.413 | 10.49 | 0.213 | 5.41 | 0.100 | 2.54 | POLY BAGS | - | NO | |
| 69148-XYY | 0.442 | 11.43 | 0.000 | 0.00 | 0.350 | 8.89 | POLY BAGS | - | NO | |
| 69152-XYY | 0.720 | 18.29 | 0.120 | 3.05 | 0.500 | 12.70 | POLY BAGS/TUBES | - | NO | |
| 69173-XYY | 0.530 | 13.46 | 0.135 | 3.43 | 0.295 | 7.49 | POLY BAGS | - | NO | |
| 69188-XYY | 0.751 | 19.08 | 0.333 | 8.46 | 0.318 | 8.08 | POLY BAGS | - | NO | |
| 69751-XYY | 0.440 | 11.18 | 0.170 | 4.32 | 0.170 | 4.32 | POLY BAGS | NOTE 10 | NO | |
| 71417-XYY | 0.664 | 16.87 | 0.115 | 2.92 | 0.449 | 11.40 | POLY BAGS | NOTE 10 | NO | |
| 72260-XXXH | 0.930 | 23.62 | 0.090 | 2.29 | 0.740 | 18.80 | POLY BAGS | - | NO | |
| 72323-XXXH | 1.200 | 30.48 | 0.100 | 2.54 | 1.000 | 25.40 | POLY BAGS | - | NO | |
| 72457-XXXH | 1.100 | 27.94 | 0.090 | 2.29 | 0.910 | 23.11 | POLY BAGS | - | NO | |
| 73698-XXXH | 1.100 | 27.94 | 0.120 | 3.05 | 0.880 | 22.35 | POLY BAGS | - | NO | |
| 74464-XXXH | 1.028 | 26.11 | 0.610 | 15.49 | 0.318 | 8.08 | POLY BAGS | - | NO | |
| 78240-XYY | 0.663 | 16.84 | 0.333 | 8.46 | 0.230 | 5.84 | POLY BAGS | - | NO | |
| 78287-XYY | 0.678 | 17.22 | 0.120 | 3.05 | 0.458 | 11.63 | POLY BAGS | - | NO | |
| 78290-XYY | 1.250 | 31.75 | 0.500 | 12.70 | 0.650 | 16.51 | POLY BAGS | - | NO | |
| 78511-XYY | 0.538 | 13.67 | 0.120 | 3.05 | 0.318 | 8.08 | POLY BAGS/TUBES | - | YES | |
| 78595-XYY | | NOT AVAILABLE | | | | | | - | - | |
| 78931-XYY | | NOT AVAILABLE | | | | | | - | - | |
| 78958-XYY | | NOT AVAILABLE | | | | | | - | - | |
| 78959-XYY | | NOT AVAILABLE | | | | | | - | - | |
| 78977-XYY | | NOT AVAILABLE | | | | | | - | - | |
| 78998-XYY | 0.430 | 10.92 | 0.155 | 3.94 | 0.175 | 4.45 | POLY BAGS | - | NO | |
| 78999-XYY | | NOT AVAILABLE | | | | | | - | - | |
| 79428-XYY | 0.695 | 17.65 | 0.120 | 3.05 | 0.475 | 12.07 | POLY BAGS | - | NO | |
| 79849-XYY | 0.620 | 15.75 | 0.120 | 3.05 | 0.400 | 10.16 | POLY BAGS | - | NO | |

NOTE 1,12

| | | | | | | | | | | | |
|----------------------------|----------------|----|------|---------------------------------------|-----------------------|----------|----------|----------------|-------------------------|-------------------------------|-------|
| mat'l. code NOTES 2 & 3 | | | | tolerances unless otherwise specified | | | | CUSTOMER COPY | | FCI www.fciconnect.com | |
| ltr | ecn no | dr | date | linear | .XX±.01/.X±.3 | | | projection | title | | |
| CL | | | | | .XXX±.005/.XX±.13 | | | | BERGSTIK® II HEADER | | |
| | | | | | .XXXX±.0020/.XXX±.051 | | | | .100/2.54cc SR STRAIGHT | | |
| | | | | angles | σ±2' | | | INCH/MM ↔ | product family | | code |
| | | | | dr | T.BREWBAKER | 01/05/95 | BERGSTIK | | 213 | | |
| | | | | enr | T.HANNA | 01/05/95 | size | | dwg no | | |
| | | | | chr | T.HANNA | 01/05/95 | scale | A | | 68000 | sheet |
| | | | | appd | T.HANNA | 01/05/95 | 1:1 | | | 6 of 8 | |
| sheet index | revision sheet | | | | | | | | | | |

1 | 2

3 |

B

A

ACAD

PDM: Rev:CL

STATUS: Released

Printed: Feb 09, 2006

cage code
22526

Tous droits strictement reserves. Reproduction ou communication a des tiers interdite sous quelque forme que ce soit sans autorisation ecrite du proprietaire. Propriete de c FCI. Droits de reproduction FCI.



All rights strictly reserved. Reproduction or issue to third parties in any form whatever is not permitted without written authority from the proprietor. Property of FCI. Copyright FCI.

| PRODUCT NUMBER | TOTAL PIN LGTH | | TAIL LENGTH | | MATING LENGTH | | PACKAGING | NOTES | BERGSTRIPTM AVAILABLE | LF OPTION |
|----------------|----------------|--------|-------------|--------|---------------|--------|-----------|---------|--------------------------|--------------|
| | DIM F | DIM F | DIM G | DIM G | DIM H | DIM H | | | | |
| | ENGLISH | METRIC | ENGLISH | METRIC | ENGLISH | METRIC | | | | |
| 84918-XYH | 0.340 | 8.64 | 0.120 | 3.05 | 0.120 | 3.05 | POLY BAGS | - | YES | NOTE 1,12 |
| 84921-XYH | 0.370 | 9.40 | 0.150 | 3.81 | 0.120 | 3.05 | POLY BAGS | - | YES | |
| 86506-XY | 0.440 | 11.18 | 0.120 | 3.05 | 0.220 | 5.59 | POLY BAGS | - | YES | |
| 86579-XY | 0.450 | 11.43 | 0.120 | 3.05 | 0.230 | 5.84 | POLY BAGS | NOTE 9 | NO | |
| 86634-XY | | NOT | AVAILABLE | | | | | - | - | |
| 86635-XY | | NOT | AVAILABLE | | | | | - | - | |
| 86636-XY | | NOT | AVAILABLE | | | | | - | - | |
| 86637-XY | | NOT | AVAILABLE | | | | | - | - | |
| 86638-XY | | NOT | AVAILABLE | | | | | - | - | |
| 86793-XY | 0.900 | 22.86 | 0.100 | 2.54 | 0.700 | 17.78 | POLY BAGS | NOTE 10 | NO | |
| 86899-XY | 1.020 | 25.91 | 0.120 | 3.05 | 0.800 | 20.32 | POLY BAGS | - | NO | |
| 87185-XY | 1.238 | 31.45 | 0.095 | 2.41 | 1.043 | 26.49 | POLY BAGS | NOTE 10 | NO | |
| 87204-XY | 0.895 | 22.73 | 0.120 | 3.05 | 0.675 | 17.15 | POLY BAGS | - | NO | |
| 87241-XY | 1.000 | 25.40 | 0.120 | 3.05 | 0.780 | 19.81 | POLY BAGS | - | NO | |
| 87502-XYH | 1.130 | 28.70 | 0.110 | 2.79 | 0.920 | 23.37 | POLY BAGS | - | NO | |
| 87827-XY | 0.380 | 9.65 | 0.120 | 3.05 | 0.160 | 4.06 | POLY BAGS | - | NO | |
| 87916-XY | 1.058 | 26.87 | 0.128 | 3.25 | 0.830 | 21.08 | POLY BAGS | - | NO | |
| 88005-XY | 0.536 | 13.61 | 0.095 | 2.41 | 0.341 | 8.66 | POLY BAGS | NOTE 10 | NO | |
| 88706-XY | 0.900 | 22.86 | 0.100 | 2.54 | 0.700 | 17.78 | POLY BAGS | - | NO | |
| 89232-XY | 0.325 | 8.26 | 0.000 | 0.00 | 0.230 | 5.84 | POLY BAGS | NOTE 7 | NO | NOTE 1,12 |

| | | | | | | | | | | | |
|----------------------------|----------------|----|------|--|-----------------------|----------|-----------------|------------------|------------------------------|------------------------|--|
| mat'l. code NOTES 2 & 3 | | | | tolerances unless otherwise specified | | | | CUSTOMER COPY | | www.fciconnect.com | |
| ltr | ecn no | dr | date | linear | .XX±.01/.X±.3 | | | projection | title BERGSTIK® II HEADER | | |
| CL | | | | | .XXX±.005/.XX±.13 | | | | .100/2.54cc SR STRAIGHT | | |
| | | | | | .XXXX±.0020/.XXX±.051 | | | | product family BERGSTIK | | |
| | | | | angles | 0°±2' | | | INCH/MM | size 213 | | |
| | | | | dr | T.BREWBAKER | 01/05/95 | code 68000 | | | | |
| | | | | enr | T.HANNA | 01/05/95 | sheet 7 of 8 | | | | |
| | | | | chr | T.HANNA | 01/05/95 | scale A | | | | |
| | | | | appd | T.HANNA | 01/05/95 | scale 1:1 | | | | |
| sheet index | revision sheet | | | | | | | | | | |

Tous droits strictement reserves. Reproduction ou communication a des tiers interalite sous quelque forme que ce soit sans autorisation ecrite du proprietaire. Propriete de c FCI. Droits de reproduction FCI.

A
FCI

All rights strictly reserved. Reproduction or issue to third parties in any form whatever is not permitted without written authority from the proprietor. Property of FCI. Copyright FCI.

A

B

1 | 2

3 |

4

| PRODUCT NUMBER | TOTAL PIN LGTH | | TAIL LENGTH | | MATING LENGTH | | PACKAGING | NOTES | BERGSTRIPTM | LF OPTION |
|----------------|----------------|--------|-------------|--------|---------------|--------|-----------|---------|-------------|--------------|
| | DIM F | DIM F | DIM G | DIM G | DIM H | DIM H | | | AVAILABLE | |
| | ENGLISH | METRIC | ENGLISH | METRIC | ENGLISH | METRIC | | | | |
| 90522-YYY | 0.668 | 16.97 | 0.135 | 3.43 | 0.433 | 11.00 | POLY BAGS | NOTE 10 | NO | NOTE 1,12 |
| 90547-YYY | 0.508 | 12.90 | 0.095 | 2.41 | 0.313 | 7.95 | POLY BAGS | NOTE 10 | NO | |
| 90719-YYY | 0.384 | 9.75 | 0.106 | 2.69 | 0.178 | 4.52 | POLY BAGS | - | NO | |
| 90726-YYY | 0.440 | 11.18 | 0.110 | 2.79 | 0.230 | 5.84 | POLY BAGS | - | YES | |
| 91276-YYY | 1.225 | 31.12 | 0.225 | 5.72 | 0.900 | 22.86 | POLY BAGS | - | NO | |
| 92020-YYY | 0.372 | 9.45 | 0.094 | 2.39 | 0.178 | 4.52 | POLY BAGS | - | NO | |
| 92418-YYY | 0.572 | 14.53 | 0.118 | 3.00 | 0.354 | 8.99 | POLY BAGS | - | NO | |
| 93167-YYY | 0.394 | 10.01 | 0.059 | 1.50 | 0.235 | 5.97 | POLY BAGS | - | NO | |
| 93287-XYXH | 0.585 | 14.86 | 0.085 | 2.16 | 0.400 | 10.16 | POLY BAGS | - | NO | |
| 93944-YYY | 0.941 | 23.90 | 0.130 | 3.30 | 0.711 | 18.06 | POLY BAGS | - | NO | |
| 93992-XYXH | 0.415 | 10.54 | 0.085 | 2.16 | 0.230 | 5.84 | POLY BAGS | - | NO | |
| 94063-YYY | 0.376 | 9.55 | 0.138 | 3.51 | 0.138 | 3.51 | POLY BAGS | NOTE 10 | NO | |
| 94094-YYY | 0.592 | 15.04 | 0.314 | 7.98 | 0.178 | 4.52 | POLY BAGS | - | NO | |
| 94544-YYY | 0.550 | 13.97 | 0.130 | 3.30 | 0.330 | 8.38 | POLY BAGS | NOTE 10 | NO | |
| 94611-XYXH | 0.320 | 8.13 | 0.095 | 2.41 | 0.125 | 3.18 | POLY BAGS | - | NO | |
| 95017-XYXH | 0.560 | 14.22 | 0.060 | 1.52 | 0.400 | 10.16 | POLY BAGS | - | NO | |
| 95103-YYY | 1.064 | 27.03 | 0.433 | 11.00 | 0.531 | 13.49 | POLY BAGS | NOTE 10 | NO | |
| 95104-YYY | 0.370 | 9.40 | 0.126 | 3.20 | 0.144 | 3.66 | POLY BAGS | NOTE 10 | NO | |
| 95648-XYXH | 0.655 | 16.64 | 0.155 | 3.94 | 0.400 | 10.16 | POLY BAGS | - | NO | |
| 95655-YYY | 1.164 | 29.57 | 0.095 | 2.41 | 0.969 | 24.61 | POLY BAGS | NOTE 10 | NO | |
| 98001-XYXH | 0.610 | 15.49 | 0.420 | 10.67 | 0.090 | 2.29 | POLY BAGS | - | NO | |
| 98136-XYXH | 0.475 | 12.07 | 0.095 | 2.41 | 0.280 | 7.11 | POLY BAGS | - | NO | |
| 10004394-XYXH | 0.290 | 7.37 | 0.095 | 2.41 | 0.095 | 2.41 | POLY BAGS | - | NO | |

NOTE 1,12

| | | | | | | | | | |
|-------------|----------------|-------------|------|---------------------------------------|----------------------|---------------|----------------|--|--|
| mat'l. code | | NOTES 2 & 3 | | tolerances unless otherwise specified | | CUSTOMER COPY | | A FCI www.fciconnect.com | |
| ltr | ecn no | dr | date | linear | .xx±.01/.X±.3 | | projection | title | |
| CL | | | | | .xxx±.005/.XX±.13 | | | BERGSTIK® II HEADER | |
| | | | | | .xxx±.0020/.xxx±.051 | | | .100/2.54cc SR STRAIGHT | |
| | | | | angles | 0°±2' | | INCH/MM ←→ | product family BERGSTIK | |
| | | | | dr | T.BREWBAKER | 01/05/95 | | code | |
| | | | | enr | T.HANNA | 01/05/95 | | 213 | |
| | | | | chr | T.HANNA | 01/05/95 | sheet | | |
| | | | | appd | T.HANNA | 01/05/95 | 8 of 8 | | |
| sheet index | revision sheet | | | | | | | | |

1 | 2

3 |

4

ACAD

PDM: Rev:CL

STATUS:Released

Printed: Feb 09, 2006

cage code
22526